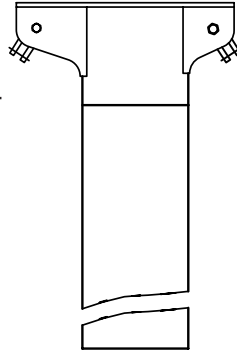


**MAST HEAD CONFIGURATIONS / CONFIGURATIONS DE TÊTE DE MÂT  
(PROFILS STANDARDS SECTIONS)**

**Mast head rig**

Set for 4 halyards (main halyard, main sheet topping lift, and two jib halyards). Optional: single or double external spi attachment



**Gréement en tête**

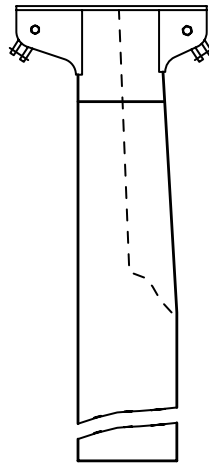
Prévu pour 4 drisses (Grand Voile, balancine de Grand Voile et deux focs).  
Option : ferrure extérieure de spi simple ou double)

**Mast head rig with taper**

Same configuration as above, but tapered.

**The taper :**

- Two cuts are made at the top of the mast, with a comma-shape which keeps the aft face of the mast straight. The taper minimizes the weight at the top and lowers the centre of gravity. It is also an esthetical element and makes for better control of the longitudinal curve of the mast.
- The taper is supplied polished or non-polished.



**Gréement en tête avec rétreint**

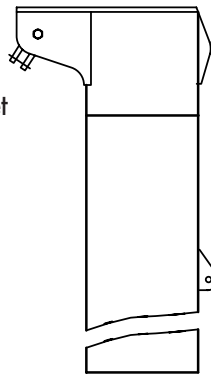
Même configuration que ci-dessus mais avec un rétreint

**Le rétreint :**

- Deux entailles sont réalisées dans la partie supérieure du mât avec une virgule permettant de garder la face arrière droite. Il permet de limiter le poids dans les hauts et de baisser le centre de gravité. Le rétreint est aussi un élément esthétique et permet un meilleur contrôle du cintre longitudinal du mât.
- Le rétreint est proposé poli ou non poli.

**Fractional rig**

Set for 4 halyards (main halyard, main sheet topping lift, and two spinnaker halyards).

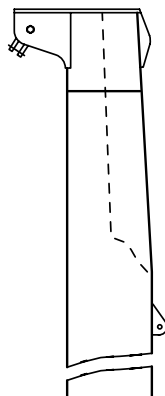


**Gréement fractionné**

Prévu pour 4 drisses (Grand Voile, balancine de Grand Voile et deux spi).

**Fractional rig with taper**

Same configuration as above, but tapered

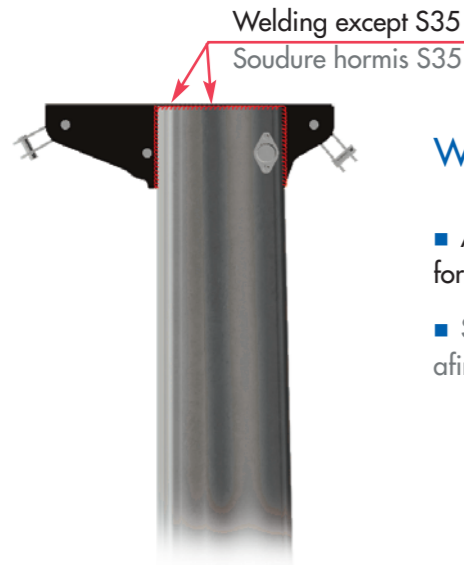


**Gréement fractionné avec rétreint**

Même configuration que ci-dessus mais avec un rétreint

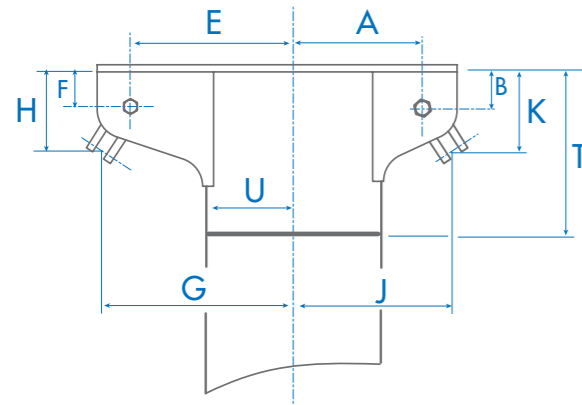
MAST HEAD RIG - NON TAPERED / GRÉEMENT EN TÊTE - NON RÉTREINT

MAST HEAD RIG - NON TAPERED / GRÉEMENT EN TÊTE - NON RÉTREINT



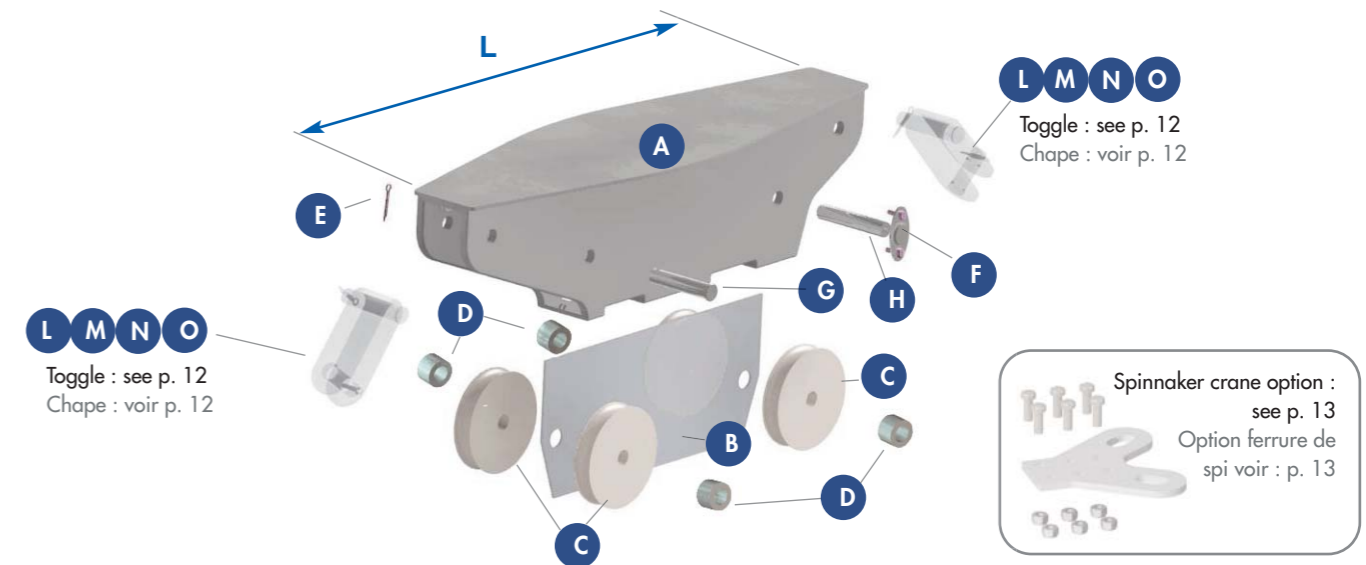
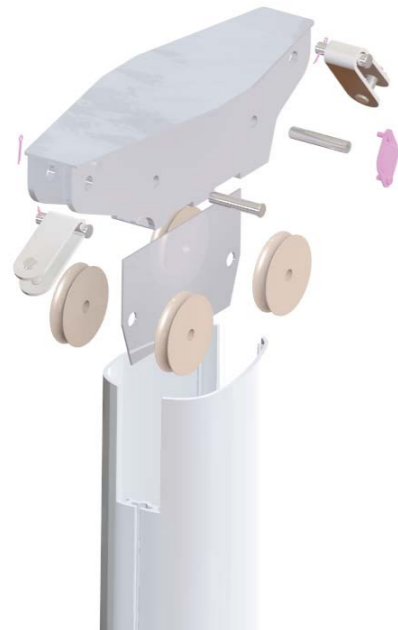
**Welded mastheads / Têtes de mât soudées**

- All our mastheads are welded to the section (before anodizing), which makes, for better performance of the mast (longer durability and better tuning).
- Sauf exception, toutes nos têtes de mât sont soudées au profil (avant anodisation) afin de permettre une meilleure tenue du gréement (longévité et réglages).



**SPECIFICATIONS / CARACTÉRISTIQUES DIMENSIONNELLES**

| MAST SECTION / MÂT | REFERENCE PART NUMBER | Ø AXE CHAPE / Ø TOGGLES                       | G        | H        | J        | K        | T        | U        |
|--------------------|-----------------------|---|----------|----------|----------|----------|----------|----------|
| <b>S 35</b>        | -                     | only 7/8 uniquement                           |          |          |          |          |          |          |
| <b>S 50</b>        | <b>30004022335</b>    | ø 6, ø 8                                      | 120      | 51       | 91       | 51       | 240      | 45       |
|                    |                       | ø 10 / ø 12                                   | 124      | 61       | 94       | 62       |          |          |
| <b>S 67</b>        | <b>30004022585</b>    | ø 6, ø 8                                      | 135      | 51       | 119      | 51       | 240      | 50       |
|                    |                       | ø 10 / ø 12                                   | 140      | 61       | 121      | 62       |          |          |
| <b>S 80</b>        | -                     | only 7/8 uniquement                           |          |          |          |          |          |          |
| <b>S 137</b>       | <b>30004033425</b>    | ø 6, ø 8                                      | 191      | 51       | 120      | 54       | 240      | 61       |
|                    |                       | ø 10 / ø 12                                   | 195      | 61       | 123      | 62       |          |          |
| <b>S 180</b>       | <b>30004023135</b>    | ø 6, ø 8                                      | 164      | 51       | 127      | 51       | 240      | 65       |
|                    |                       | ø 10 / ø 12                                   | 168      | 61       | 130      | 62       |          |          |
| <b>S 260</b>       | <b>30004023445</b>    | ø 6, ø 8                                      | 183      | 51       | 139      | 51       | 240      | 67       |
|                    |                       | ø 10 / ø 12                                   | 187      | 61       | 142      | 62       |          |          |
| <b>S 305</b>       | <b>30003024035</b>    | ø 12,14,16,18                                 | 209      | 82       | 170      | 84       | 320      | 74       |
| <b>S 330</b>       | <b>30003023955</b>    | ø 12,14,16,18                                 | 198      | 82       | 172      | 83       | 320      | 68       |
| <b>S 385</b>       | <b>30003024175</b>    | ø 12,14,16,18                                 | 217      | 86       | 176      | 84       | 320      | 82       |
| <b>S 460</b>       | <b>30003024305</b>    | ø 12,14,16,18                                 | 222      | 82       | 183      | 84       | 320      | 87       |
| <b>S 622</b>       | <b>30003014693</b>    | ø 12,14,16,18                                 | 237      | 82       | 208      | 84       | 340      | 90       |
| <b>S 830</b>       | <b>30003014695</b>    | ø 12,14,16,18                                 | 212      | 82       | 233      | 84       | 340      | 77       |
| <b>S 1170</b>      | <b>30006010865</b>    | ø 12,14,16,18 mini                            | 242      | 82       | 213      | 89       | 400      | 104      |
|                    |                       |   | <b>E</b> | <b>F</b> | <b>A</b> | <b>B</b> | <b>T</b> | <b>U</b> |
| <b>S 1060</b>      | <b>30006015875</b>    | ø 14,5 mini                                   | 300      | 38       | 217      | 38       | 400      | 115      |
| <b>S 1170</b>      | <b>30006010865</b>    | Toggle (see above) / à chape (voir plus haut) |          |          |          |          |          |          |
| <b>S 1395</b>      | <b>30006016085</b>    | ø 14,5 mini                                   | 300      | 38       | 238      | 38       | 400      | 115      |
| <b>S 1630</b>      | <b>30006011055</b>    | ø 14,5 mini                                   | 265      | 42       | 215      | 42       | 340      | 121      |
| <b>S 2100</b>      | <b>30006016515</b>    | ø 14,5 mini                                   | 312      | 38       | 268      | 38       | 440      | 127      |
| <b>S 3360</b>      | <b>30005027305</b>    | ø 16,5 mini                                   | 345      | 50       | 295      | 50       | 440      | 140      |

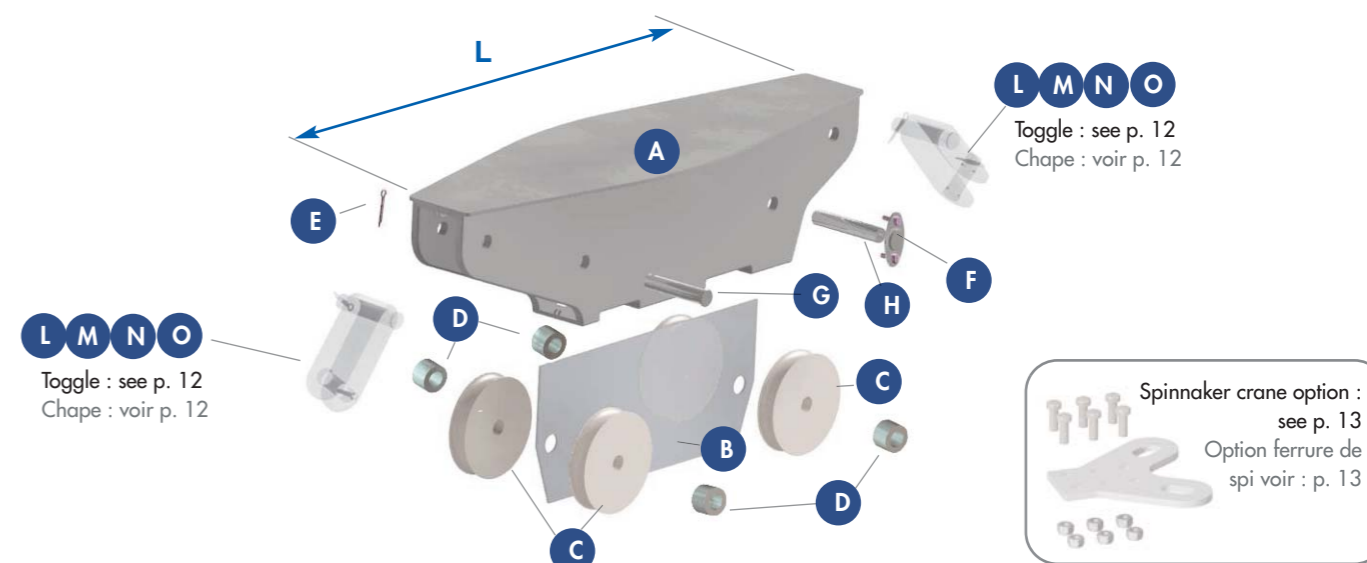
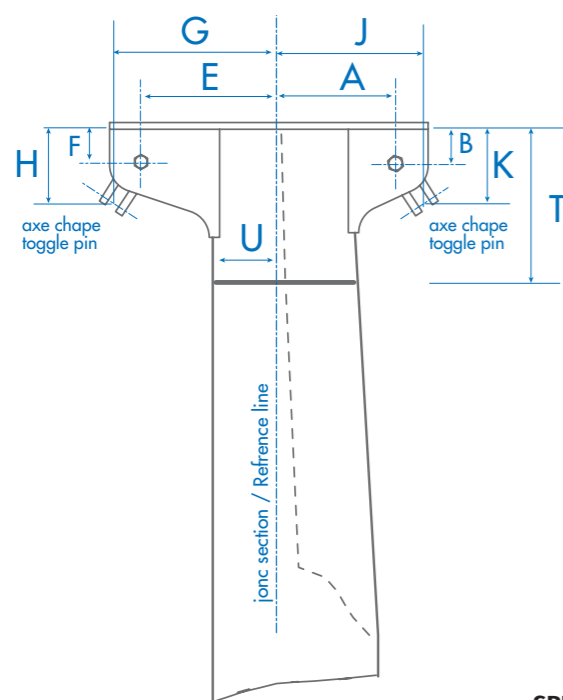


| MAST SECTION / MÂT |                 | S35                            | S50         | S67         | S137        | S180        | S260        | S305        | S330        | S385        |             |   |             |   |             |   |             |   |             |   |
|--------------------|-----------------|--------------------------------|-------------|-------------|-------------|-------------|-------------|-------------|-------------|-------------|-------------|---|-------------|---|-------------|---|-------------|---|-------------|---|
| SECTION n°         | BODY n°         | Fundery (OC0) / fonderie (OC0) | 4           | 4           | 4           | 4           | 4           | 3           | 3           | 3           |             |   |             |   |             |   |             |   |             |   |
| LONGUEUR mm        | LENGTH mm       | 180                            | 233         | 276         | 333         | 313         | 344         | 403         | 395         | 417         |             |   |             |   |             |   |             |   |             |   |
| CODE COMPLET       | COMPLETE CODE   | 30000010355                    | 30004022335 | 30004022585 | 30004033425 | 30004023135 | 30004023445 | 30003024035 | 30003023955 | 30003024175 |             |   |             |   |             |   |             |   |             |   |
| DESIGNATION        | DESCRIPTION     | CODE                           | QT          | CODE        | QT          | CODE        | QT          | CODE        | QT          | CODE        | QT          |   |             |   |             |   |             |   |             |   |
| <b>A</b>           | CORPS           | BODY                           | 30000010353 | 1           | 30004022332 | 1           | 30004022582 | 1           | 30004033421 | 1           | 30004023132 | 1 | 30004023442 | 1 | 30003024032 | 1 | 30003023952 | 1 | 30003024172 | 1 |
| <b>B</b>           | CLOISON         | CHEEK                          | -           |             | 30004112335 | 1           | 30004112585 | 1           | 30004113345 | 1           | 30004113135 | 1 | 30004113445 | 1 | 30003114035 | 1 | 30003113955 | 1 | 30003114175 | 1 |
| <b>C</b>           | REAS            | SHEAVES                        | 48530401015 | 1           | 48510481215 | 4           | 48510481215 | 4           | 48510601225 | 4           | 48510481215 | 4 | 48510481215 | 4 | 48510801525 | 4 | 48530851515 | 4 | 48510801525 | 4 |
| <b>D</b>           | BAGUE DELRIN    | DELRIN RINGS                   | -           |             | -           |             | -           |             | -           |             | -           |   | -           |   | -           |   | 40502021012 | 4 | -           |   |
| <b>E</b>           | GOUPILLE        | SAFETY PIN                     | -           |             | 28803032200 | 1           | 28803032200 | 1           | 28803032200 | 1           | 28803032200 | 1 | 28803032200 | 1 | 28803032200 | 1 | 28803032200 | 1 | 28803032200 | 1 |
| <b>F</b>           | CACHE AXE       | PIN PROTECTION                 | -           |             | 41201020105 | 1           | 41201020105 | 1           | 41201020105 | 1           | 41201020105 | 1 | 41201020105 | 1 | 41201020105 | 1 | 41201020105 | 1 | 41201020105 | 1 |
|                    | RIVET           | RIVET                          | 29002248180 | 2           | -           |             | -           |             | -           |             | -           |   | -           |   | -           |   | -           |   | -           |   |
| <b>G</b>           | AXE INOX ÉPAULÉ | CLEVIS PIN                     | -           |             | 40020210040 | 1           | 40020210040 | 1           | 40020210040 | 1           | 40020210040 | 1 | 40020210040 | 1 | 40020212052 | 1 | 40020212052 | 1 | 40020212052 | 1 |
| <b>H</b>           | AXE DROIT       | PIN                            | 40201080182 | 1           | 40020110060 | 1           | 40020110060 | 1           | 40020112065 | 1           | 40020110060 | 1 | 40201100562 | 1 | 40020112065 | 1 | 40020112065 | 1 | 40020112065 | 1 |

| MAST SECTION / MÂT  |                   | S460                                 | S622        | S830        | S1060       | S1170       | S1395       | S1630       | S2100       | S3360       |             |   |             |   |             |   |             |   |             |   |
|---------------------|-------------------|--------------------------------------|-------------|-------------|-------------|-------------|-------------|-------------|-------------|-------------|-------------|---|-------------|---|-------------|---|-------------|---|-------------|---|
| SECTION n°          | BODY n°           | 3                                    | 3           | 3           | 6           | 3           | 6           | 6           | 6           | 5           |             |   |             |   |             |   |             |   |             |   |
| LONGUEUR mm         | LENGTH mm         | 430                                  | 469         | 469         | 587         | 482         | 608         | 560         | 650         | 730         |             |   |             |   |             |   |             |   |             |   |
| CODE COMPLET        | COMPLETE CODE     | 30003024305                          | 30003014693 | 30003014695 | 30006015875 | 30006010865 | 30006016085 | 30006011055 | 30006016515 | 30005027305 |             |   |             |   |             |   |             |   |             |   |
| DESIGNATION         | DESCRIPTION       | CODE                                 | QT          | CODE        | QT          | CODE        | QT          | CODE        | QT          | CODE        | QT          |   |             |   |             |   |             |   |             |   |
| <b>A</b>            | CORPS             | BODY                                 | 30003024302 | 1           | 30003033912 | 1           | 30003014691 | 1           | 30006015872 | 1           | 30006010862 | 1 | 30006016082 | 1 | 30006011052 | 1 | 30006016512 | 1 | 30005027302 | 1 |
| <b>B</b>            | CLOISON           | CHEEK                                | 30003114305 | 1           | 30003133913 | 1           | 30003114695 | 1           | -           |             | 30003114825 | 1 | -           |   | -           |   | -           |   | -           |   |
| <b>C</b>            | REAS              | SHEAVES                              | 48510801525 | 4           | 48510801525 | 4           | 48530851515 | 4           | 48511102125 | 4           | 48530851515 | 4 | 48511102125 | 4 | 48511102125 | 4 | 4851110225  | 4 | 48511402125 | 4 |
| <b>D</b>            | BAGUE DELRIN      |                                      | -           |             | 40502021012 | 4           | -           |             | 40502021012 | 4           | -           |   | -           |   | -           |   | -           |   | -           |   |
| <b>E</b>            | GOUPILLE          | SAFETY PIN                           | 28803032200 | 1           | 28803032200 | 1           | 28803032200 | 1           | 28803040400 | 1           | 28803032200 | 1 | 28803040400 | 1 | 28803040400 | 1 | 28803040400 | 1 | 28803040400 | 1 |
| <b>F</b>            | CACHE AXE         | PIN PROTECTION                       | 41201020105 | 1           | 41201020105 | 1           | 41201020105 | 1           | 41201020205 | 1           | 41201020105 | 1 | 41201020205 | 1 | 41201020105 | 1 | 41201020105 | 1 | 41201020205 | 1 |
| <b>I</b>            | RONDELLES         | WASHERS                              | -           |             | -           |             | 28601018000 | 1           | -           |             | 28601018000 | 1 | 28601018000 | 1 | 28601018000 | 1 | 28601018000 | 1 | 28601020000 | 2 |
| <b>G</b>            | AXE INOX ÉPAULÉ   | CLEVIS PIN                           | 40020212052 | 1           | 40020212052 | 1           | 40020212052 | 1           | 40020218078 | 1           | 40020212052 | 1 | 40020218078 | 1 | 40020218078 | 1 | 40020218078 | 1 | 40020220094 | 1 |
| <b>H</b>            | AXE DROIT         | PIN                                  | 40020112065 | 1           | 40020112065 | 1           | 40020112065 | 1           | 40020118095 | 1           | 40020112065 | 1 | 40020118095 | 1 | 40201181052 | 1 | 40020218095 | 1 | 40020120130 | 1 |
| <b>AXE MOUFLAGE</b> | <b>2 to 1 PIN</b> | OPTION - CONTACT US / NOUS CONSULTER |             |             |             |             |             |             |             |             | 40020216092 | 1 |             |   |             |   |             |   |             |   |

MAST HEAD RIG - TAPERED / GRÉEMENT EN TÊTE - RÉTREINT

MAST HEAD RIG - TAPERED / GRÉEMENT EN TÊTE - RÉTREINT



SPECIFICATIONS / CARACTÉRISTIQUES DIMENSIONNELLES

| MAST SECTION<br>MÂT | REFERENCE<br>PART NUMBER | Ø AXE CHAPE<br>Ø TOGGLES<br>(mm) | G        | H        | J        | K        | T        | U        | STANDARD TAPER LENGTH*<br>Lg RÉTREINT STANDARD*<br>(mm) |
|---------------------|--------------------------|----------------------------------|----------|----------|----------|----------|----------|----------|---|
|                     |                          |                                  |          |          |          |          |          |          |   |
| S 35                | -                        | -                                | -        | -        | -        | -        | -        | -        | -   |
| S 50                | 30004022005              | ø 6; ø 8                         | 120      | 53       | 91       | 54       | 240      | 41       | 500   |
|                     |                          | ø 10; ø 12                       | 125      | 67       | 95       | 69       | 240      |          |   |
| S 67                | 30004012215              | ø 6; ø 8                         | 116      | 53       | 100      | 54       | 240      | 50       | 500   |
|                     |                          | ø 10; ø 12                       | 121      | 67       | 104      | 69       | 240      |          |   |
| S 80                | -                        | -                                | -        | -        | -        | -        | -        | -        | -   |
| S 137               | -                        | -                                | -        | -        | -        | -        | -        | -        | -   |
| S 180               | 30004012815              | ø 6; ø 8                         | 147      | 54       | 119      | 55       | 240      | 65       | 1500  |
|                     |                          | ø 10; ø 12                       | 152      | 68       | 123      | 69       | 240      |          |   |
| S 260               | 30004013035              | ø 6; ø 8                         | 157      | 53       | 124      | 54       | 240      | 67       | 1500  |
|                     |                          | ø 10; ø 12                       | 162      | 67       | 128      | 69       | 240      |          |   |
| S 305               | 30003023535              | ø 12; 14; 16; 18                 | 191      | 86       | 153      | 88       | 320      | 74       | 1750  |
| S 330               | 30003013555              | ø 12; 14; 16; 18                 | 179      | 86       | 153      | 88       | 320      | 68       | 1750  |
| S 385               | 30003023775              | ø 12; 14; 16; 18                 | 197      | 86       | 156      | 88       | 320      | 82       | 1750  |
| S 460               | 30003023905              | ø 12; 14; 16; 18                 | 202      | 86       | 164      | 88       | 320      | 87       | 1750  |
| S 622               | 30003034195              | ø 12; 14; 16; 18                 | 235      | 82       | 165      | 82       | 340      | 82       | 2000  |
| S 830               | 30003014215              | ø 12; 14; 16; 18                 | 212      | 82       | 190      | 82       | 340      | 96       | 2000  |
|                     |                          |                                  | <b>E</b> | <b>F</b> | <b>A</b> | <b>B</b> | <b>T</b> | <b>U</b> |   |
| F 1060              | 30006015375              | ø 14,5                           | 275      | 38       | 192      | 38       | 400      | 108      | 2250  |
| F 1170              | 30006015285              | ø 14,5                           | 270      | 38       | 188      | 38       | 400      | 105      | 2250  |
| F 1395              | 30006015585              | ø 14,5                           | 275      | 38       | 213      | 38       | 400      | 115      | 2250  |
| F 1630              | 30006015005              | ø 18,5                           | 236      | 42       | 184      | 42       | 350      | 121      | 2250  |
| F 2100              | -                        | -                                | -        | -        | -        | -        | -        | -        | -   |
| F 3360              | 30005017405              | ø 22,5                           | 365      | 55       | 255      | 55       | 440      | 140      | 2250  |

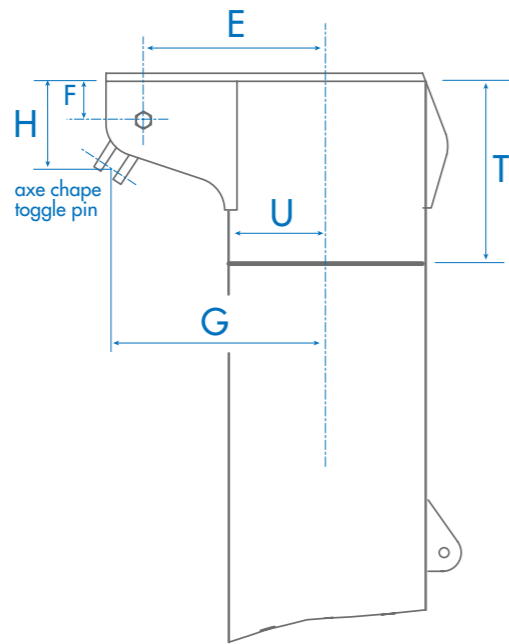
(\* indicative datas. Our research Dpt may change this information depending on configuration / Valeurs indicatives. Le bureau d'études Sparcraft peut modifier ces données selon configuration)

| MAST SECTION / MÂT |                 | S50         |             | S67         |             | S180        |             | S260        |             | S305        |             | S330        |             | S385        |             | S460        |             |    |
|--------------------|-----------------|-------------|-------------|-------------|-------------|-------------|-------------|-------------|-------------|-------------|-------------|-------------|-------------|-------------|-------------|-------------|-------------|----|
| Pict/ Repères      | SECTION n°      | 4           |             | 4           |             | 4           |             | 4           |             | 3           |             | 3           |             | 3           |             | 3           |             |    |
|                    | LONGUEUR mm     | 200         |             | 238         |             | 288         |             | 303         |             | 368         |             | 355         |             | 377         |             | 390         |             |    |
| Pict/ Repères      | CODE COMPLET    | 30004022005 |             | 30004012215 |             | 30004012815 |             | 30004013035 |             | 30003023535 |             | 30003013555 |             | 30003023775 |             | 30003023905 |             |    |
|                    | DESIGNATION     | DESCRIPTION | CODE        | QT          | CODE        | QT          | CODE        | QT          | CODE        | QT          | CODE        | QT          | CODE        | QT          | CODE        | QT          | CODE        | QT |
| A                  | CORPS           | BODY        | 30004022002 | 1           | 30004012212 | 1           | 30004012812 | 1           | 30004013032 | 1           | 30003023532 | 1           | 30003013552 | 1           | 30003023772 | 1           | 30003023902 | 1  |
| B                  | CLOISON         | CHEEK       | 30004112005 | 1           | 30004112215 | 1           | 30004112815 | 1           | 30004113035 | 1           | 30003113525 | 1           | 30003113555 | 1           | 30003113775 | 1           | 30003113915 | 1  |
| C                  | REAS            | SHEAVES     | 48510481215 | 4           | 48510481215 | 4           | 48510481215 | 4           | 48510481215 | 4           | 48510801525 | 4           | 48530851515 | 4           | 48510801525 | 4           | 48510801525 | 4  |
| E                  | GOUPILLE        | SAFETY PIN  | 28803032200 | 1           | 28803032200 | 1           | 28803032200 | 1           | 28803032200 | 1           | 28803032200 | 1           | 28803032200 | 1           | 28803032200 | 1           | 28803032200 | 1  |
| F                  | CACHE AXE       | PIN PROT.   | 41201020105 | 1           | 41201020105 | 1           | 41201020105 | 1           | 41201020105 | 1           | 41201020105 | 1           | 41201020105 | 1           | 41201020105 | 1           | 41201020105 | 1  |
| G                  | AXE INOX EPAULÉ | CLEVIS PIN  | 40020210040 | 1           | 40020210040 | 1           | 40020210040 | 1           | 40020210040 | 1           | 40020212052 | 1           | 40020212052 | 1           | 40020212052 | 1           | 40020212052 | 1  |
| H                  | AXE DROIT       | PIN         | 40020110060 | 1           | 40020110060 | 1           | 40020110060 | 1           | 40020110060 | 1           | 40020112065 | 1           | 40020112065 | 1           | 40020112065 | 1           | 40020112065 | 1  |

| MAST SECTION / MÂT |                 | S622           |                                      | S830        |             | S1060       |             | S1170       |             | S1395       |             | S1630       |             | S3360       |             |             |   |
|--------------------|-----------------|----------------|--------------------------------------|-------------|-------------|-------------|-------------|-------------|-------------|-------------|-------------|-------------|-------------|-------------|-------------|-------------|---|
| Pict/ Repères      | SECTION n°      | 3              |                                      | 3           |             | 6           |             | 6           |             | 6           |             | 6           |             | 5           |             |             |   |
|                    | LONGUEUR mm     | 419            |                                      | 421         |             | 537         |             | 528         |             | 558         |             | 500         |             | 740         |             |             |   |
| Pict/ Repères      | CODE COMPLET    | 30003034195    |                                      | 30003014215 |             | 30006015375 |             | 30006015285 |             | 30006015585 |             | 30006015005 |             | 30005017405 |             |             |   |
|                    | DESIGNATION     | DESCRIPTION    | CODE                                 | QT          | CODE        | QT          | CODE        | QT          | CODE        | QT          | CODE        | QT          | CODE        | QT          | CODE        | QT          |   |
| A                  | CORPS           | BODY           | 30003034192                          | 1           | 30003024212 | 1           | 30006015372 | 1           | 30006015282 | 1           | 30006015582 | 1           | 30006015003 | 1           | 30005017402 | 1           |   |
| B                  | CLOISON         | CHEEK          | 30003133913                          | 1           | 30003114215 | 1           |             |             |             |             |             |             |             |             |             |             |   |
| C                  | REAS            | SHEAVES        | 48510801525                          | 4           | 48530851515 | 4           | 48511102125 | 4           | 48511102125 | 4           | 48511102125 | 4           | 48511102125 | 4           | 48511402125 | 4           |   |
| E                  | GOUPILLE        | SAFETY PIN     | 28803032200                          | 1           | 28803032200 | 1           | 28803040400 | 1           | 28803040400 | 1           | 28803040400 | 1           | 28803040400 | 3           | 28803032200 | 1           |   |
| F                  | CACHE AXE       | PIN PROTECTION | 41201020105                          | 1           | 41201020105 | 1           | 41201020205 | 1           | 41201020205 | 1           | 41201020205 | 1           | 41201020205 | 1           | 41201020105 | 2           |   |
| I                  | RONDELLES       | WASHERS        |                                      |             |             |             | 28601018000 | 2           | 28601018000 | 2           | 28601018000 | 2           |             |             | 28601020000 | 2           |   |
| G                  | AXE INOX EPAULÉ | CLEVIS PIN     | 40020212052                          | 1           | 40020212052 | 1           | 40020218095 | 1           | 40020218095 | 1           | 40020218095 | 1           | 40020218078 | 1           | 40020212052 | 1           |   |
| H                  | AXE DROIT       | PIN            | 40020112065                          | 1           | 40020112065 | 1           | 40020118095 | 1           | 40020118080 | 1           | 40020118095 | 1           | 40020118080 | 1           | 40020120130 | 1           |   |
|                    | AXE MOUFLAGE    | 2 to 1 PIN     |                                      |             |             |             |             |             |             |             |             |             |             |             |             | 40020216092 | 1 |
|                    |                 |                | OPTION - CONTACT US / NOUS CONSULTER |             |             |             |             |             |             |             |             |             |             |             |             |             |   |

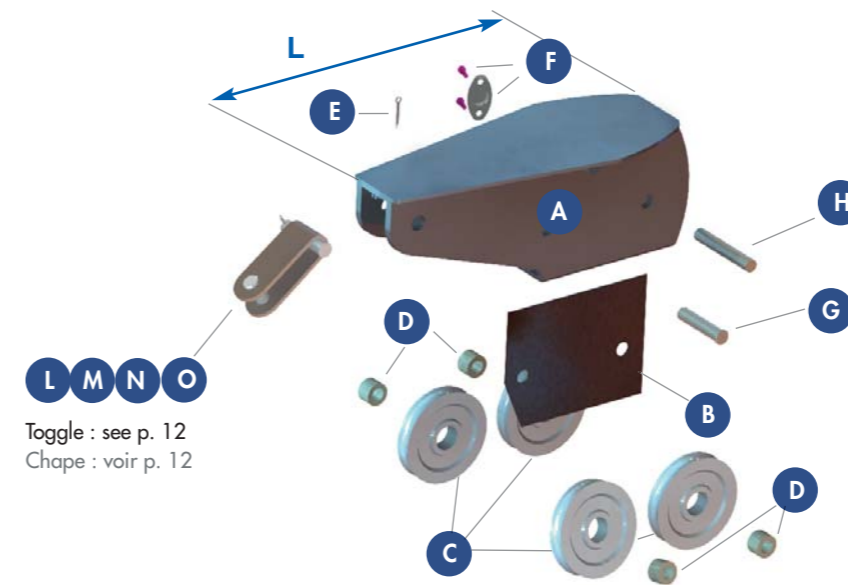
FRACTIONNED & NON TAPERED / FRACTIONNÉ NON RÉTREINT

FRACTIONNED & NON TAPERED / FRACTIONNÉ NON RÉTREINT



SPECIFICATIONS / CARACTÉRISTIQUES DIMENSIONNELLES

| MAST SECTION / MÂT | REFERENCE PART NUMBER | Ø AXE CHAPE / Ø TOGGLES | G        | H        | T        | U        |
|--------------------|-----------------------|-------------------------|----------|----------|----------|----------|
| S 35               | 30004032065           | ø 6; ø 8                | 140      | 53       | 206      | 42       |
|                    |                       | ø 10; ø 12              | 145      | 67       |          |          |
| S 50               | 30004052155           | ø 6; ø 8                | 136      | 51       | 240      | 45       |
|                    |                       | ø 10; ø 12              | 140      | 61       |          |          |
| S 67               | 30004032235           | ø 6; ø 8                | 145      | 53       | 240      | 50       |
|                    |                       | ø 10; ø 12              | 150      | 67       |          |          |
| S 80               | -                     | -                       | -        | -        | -        | -        |
| S 137              | 30004052935           | ø 6; ø 8                | 171      | 51       | 240      | 46       |
|                    |                       | ø 10; ø 12              | 176      | 65       |          |          |
| S 180              | 30004052805           | ø 6; ø 8                | 162      | 54       | 240      | 65       |
|                    |                       | ø 10; ø 12              | 167      | 68       |          |          |
| S 260              | 30004033325           | ø 6; ø 8                | 209      | 53       | 240      | 67       |
|                    |                       | ø 10; ø 12              | 215      | 67       |          |          |
| S 305              | 30003053805           | ø 12; 14; 16; 18        | 238      | 86       | 320      | 74       |
| S 330              | 30003033725           | ø 12; 14; 16; 18        | 233      | 86       | 320      | 68       |
| S 385              | 30003053875           | ø 12; 14; 16; 18        | 242      | 86       | 320      | 82       |
| S 460              | 30003053865           | ø 12; 14; 16; 18        | 234      | 86       | 320      | 90       |
| S 622              | 30003063965           | ø 12; 14; 16; 18        | 233      | 86       | 320      | 89       |
| S 830              | 30001034275           | ø 12; 14; 16; 18        | 240      | 82       | 320      | 96       |
|                    |                       |                         | <b>C</b> | <b>F</b> | <b>T</b> | <b>U</b> |
| F 1060             | 30006055005           | ø 14,5 mini             | 300      | 38       | 400      | 115      |
| F 1170             | 30003034405           | ø 14,5 mini             | 249      | 25       | 400      | 105      |
| F 1395             | 30006055215           | ø 14,5 mini             | 300      | 38       | 400      | 115      |
| F 1630             | 30006034905           | ø 14,5 mini             | 270,5    | 40       | 350      | 120,5    |
| F 2100             | 30006056305           | ø 16,5 mini.            | 329      | 45       | 400      | 127      |



Toggle : see p. 12  
Chape : voir p. 12



Spinnaker crane option : see p. 13  
Option ferrure de spi voir : p. 13

| MAST SECTION / MÂT |              | S35            |             | S50         |             | S67         |             | S137        |             | S180        |             | S260        |             | S305        |             | S330        |             |   |
|--------------------|--------------|----------------|-------------|-------------|-------------|-------------|-------------|-------------|-------------|-------------|-------------|-------------|-------------|-------------|-------------|-------------|-------------|---|
| Pict/ Repères      | SECTION n°   | 4              |             | 4           |             | 4           |             | 4           |             | 4           |             | 4           |             | 3           |             | 3           |             |   |
|                    | LONGUEUR mm  | 206            |             | 204         |             | 223         |             | 320         |             | 280         |             | 332         |             | 380         |             | 371         |             |   |
|                    | CODE COMPLET | 30004032065    |             | 30004052155 |             | 30004032235 |             | 30004052935 |             | 30004052805 |             | 30004033325 |             | 30003053805 |             | 30003033725 |             |   |
| DESIGNATION        | DESCRIPTION  | CODE           | QT          | CODE        | QT          | CODE        | QT          | CODE        | QT          | CODE        | QT          | CODE        | QT          | CODE        | QT          | CODE        | QT          |   |
| A                  | CORPS        | BODY           | 30004032062 | 1           | 30004052153 | 1           | 30004032232 | 1           | 30003033192 | 1           | 30004052803 | 1           | 30004033322 | 1           | 30003053802 | 1           | 30003033722 | 1 |
| B                  | CLOISON      | CHEEK          | 30004112065 | 1           | 30004052152 | 1           | 30004112235 | 1           | 30003113195 | 1           | 30004152803 | 1           | 30003153325 | 1           | 30003113805 | 1           | 30003113735 | 1 |
| C                  | REAS         | SHEAVES        | 48510481215 | 2           | 48510481215 | 4           | 48510481215 | 2           | 48510601225 | 4           | 48510481215 | 4           | 48510601325 | 4           | 48510481215 | 4           | 48530851515 | 4 |
| D                  | BAGUE DELRIN | DELRIN RING    |             |             |             |             |             |             |             |             |             |             |             |             |             |             | 40502021012 | 4 |
| E                  | GOUPILLE     | SAFETY PIN     | 28803032200 | 1           | 28803032200 | 1           | 28803032200 | 1           | 28803032200 | 1           | 28803032200 | 1           | -           | 1           | 28803032200 | 1           | 28803032200 | 1 |
| F                  | CACHE AXE    | PIN PROTECTION | -           |             | 41201020105 | 1           | -           |             | 41201020105 | 1           | 41201020105 | 1           | 41201020105 | 1           | 41201020105 | 1           | 41201020105 | 1 |
| G                  | AXE ÉPAULÉ   | CLEVIS PIN     | 40020210040 | 1           | 40020210040 | 1           | 40020210040 | 1           | 40020210040 | 1           | 40020210040 | 1           | 40020210040 | 1           | 40020210040 | 1           | 40020212052 | 1 |
| H                  | AXE DROIT    | PIN            | -           |             | 40201100512 | 1           | -           |             | 40201120532 | 1           | 40020110060 | 1           | 40020110060 | 1           | 41201501044 | 1           | 40020112065 | 1 |

| MAST SECTION / MÂT |              | S385         |             | S460        |             | S622        |             | S830        |             | S1060       |             | S1170       |             | S1395        |             | S1630       |             | S2100       |             |   |
|--------------------|--------------|--------------|-------------|-------------|-------------|-------------|-------------|-------------|-------------|-------------|-------------|-------------|-------------|--------------|-------------|-------------|-------------|-------------|-------------|---|
| Pict/ Repères      | SECTION n°   | 3            |             | 3           |             | 3           |             | 3           |             | 6           |             | 3           |             | 6            |             | 6           |             | 6           |             |   |
|                    | LONGUEUR mm  | 386          |             | 386         |             | 396         |             | 427         |             | 500         |             | 441         |             | 521          |             | 490         |             | 580         |             |   |
|                    | CODE COMPLET | 30003053875  |             | 30003053865 |             | 30003063965 |             | 30001034275 |             | 30006055005 |             | 30003034405 |             | 30006055215  |             | 30006034905 |             | 30006056305 |             |   |
| DESIGNATION        | DESCRIPTION  | CODE         | QT          | CODE        | QT          | CODE        | QT          | CODE        | QT          | CODE        | QT          | CODE        | QT          | CODE         | QT          | CODE        | QT          | CODE        | QT          |   |
| A                  | CORPS        | BODY         | 30003053873 | 1           | 30003053863 | 1           | 30003053963 | 1           | 30003024212 | 1           | 30006055002 | 1           | 30003134403 | 1            | 30006055212 | 1           | 30006034903 | 1           | 30006056303 | 1 |
| B                  | CLOISON      | CHEEK        | 30003153875 | 1           | 30003153863 | 1           | 30003153965 | 1           | 30003114215 | 1           |             |             | 30003034402 | 1            |             |             |             |             |             |   |
| C                  | REAS         | SHEAVES      | 48510801525 | 4           | 48510801525 | 4           | 48510801525 | 4           | 48530851515 | 4           | 48511102125 | 4           | 48510801525 | 4            | 48511102125 | 4           | 48511102125 | 4           | 48511102125 | 4 |
| D                  | BAGUE DELRIN |              |             |             |             |             |             | 40502021012 | 4           |             |             |             |             |              |             |             |             |             |             |   |
| E                  | GOUPILLE     | SAFETY PIN   | -           |             | 28803032200 | 1           | 28803032200 | 1           | 28803032200 | 1           | 28803040400 | 1           | 28803032200 | 1            | 28803040400 | 1           | 28803032320 | 2           | 28803040400 | 2 |
| F                  | CACHE AXE    | PIN PROTECT. | 41201020105 | 2           | 41201020105 | 1           | 41201020105 | 1           | 41201020105 | 1           | -           |             | 41201020105 | 1            | 41201020205 | 1           | 41201020205 | 1           | 41201020205 | 1 |
| I                  | RONDELLE     | WASHER       |             |             |             |             |             |             |             | 28601018000 | 2           |             |             | 328601018000 | 1           | 28601018000 | 1           |             |             |   |
| G                  | AXE ÉPAULÉ   | CLEVIS PIN   | -           |             | 40020212052 | 1           | 40020212052 | 1           | 40020212052 | 1           | 40020218078 | 1           | 40020212052 | 1            | 40020218078 | 1           | 40020218078 | 1           | 40020218078 | 1 |
| H                  | AXE DROIT    | PIN          | 40020112080 | 2           | 40020112065 | 1           | 40020112080 | 1           | 40020112065 | 1           | 40201181052 | 1           | 40020112065 | 1            | 40020118095 | 1           | 40020118095 | 1           | 40020118095 | 1 |
|                    | AXE MOUFLAGE | 2 to 1 PIN   |             |             |             |             |             |             |             |             |             |             |             |              |             |             |             |             |             |   |

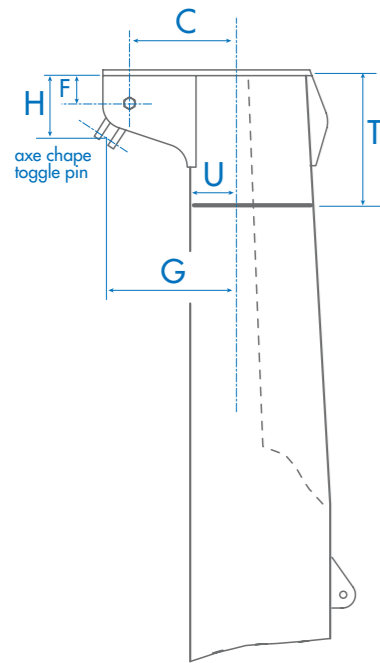
OPTION - CONTACT US / NOUS CONSULTER



FRACTIONNED & TAPERED / FRACTIONNÉ RÉTREINT

FRACTIONNED & TAPERED / FRACTIONNÉ RÉTREINT

SPECIFICATIONS / CARACTÉRISTIQUES DIMENSIONNELLES



| PROFILE SECTION | REFERENCE PART NUMBER | AXE CHAPE Ø TOGGLES | G        | H        | T        | U        | STD TAPER LENGTH LG STD RÉTREINT |
|-----------------|-----------------------|---------------------|----------|----------|----------|----------|----------------------------------|
| S 35            | 30004031735           | ø6; ø8              | 123      | 53       |          |          | 500                              |
|                 |                       | ø10; ø12            | 128      | 67       | 150      | 41       |                                  |
| S 50            | 30003011895           | ø6; ø8              | 126      | 53       |          |          | 500                              |
|                 |                       | ø10; ø12            | 131      | 67       | 150      | 45       |                                  |
| S 67            | 30004032085           | ø6; ø8              | 149      | 53       |          |          | 500                              |
|                 |                       | ø10; ø12            | 154      | 67       | 240      | 50       |                                  |
| S 80            | 30008010786           | ø6; ø8              | 189      | 14       | 100      | 59       | 500                              |
|                 |                       |                     |          |          |          |          |                                  |
| S 137           | 30004052635           | ø6; ø8              | 171      | 51       |          |          | 1 to 1,5                         |
|                 |                       | ø10; ø12            | 176      | 65       | 240      | 61       |                                  |
| S 180           | 30004052505           | ø6; ø8              | 147      | 54       |          |          | 1 to 1,5                         |
|                 |                       | ø10; ø12            | 152      | 68       | 240      | 65       |                                  |
| S 260           | 30004032875           | ø6; ø8              | 182      | 53       |          |          | 1 to 1,5                         |
|                 |                       | ø10; ø12            | 192      | 67       | 240      | 67       |                                  |
| S 305           | 30003053305           | ø12; 14; 16; 18     | 207      | 86       | 320      | 74       | 1 to 1,75                        |
| S 330           | 30003033215           | ø12; 14; 16; 18     | 207      | 86       | 320      | 68       | 1 to 1,75                        |
| S 385           | 30003053365           | ø12; 14; 16; 18     | 241      | 85       | 320      | 82       | 1 to 1,75                        |
| S 460           | 30003053355           | ø12; 14; 16; 18     | 209      | 86       | 320      | 87       | 1,25 to 1,75                     |
| S 622           | 30003033453           | ø12; 14; 16; 18     | 207      | 86       | 320      | 90       | 1,25 to 1,75                     |
| S 830           | 30003034156           | ø12; 14; 16; 18     | 240      | 85       | 320      | 96       | 1,25 to 2                        |
|                 |                       |                     | <b>C</b> | <b>F</b> | <b>T</b> | <b>U</b> |                                  |
| S 1060          | 30006054505           | ø 14,5 mini.        | 260      | 38       | 400      | 108      | 1,5 to 2,25                      |
| S 1170          | -                     |                     |          |          |          |          |                                  |
| S 1395          | 30006054715           | ø 14,5 mini.        | 260      | 38       | 400      | 115      | 1,75 to 2,5                      |
| S 1630          | -                     |                     |          |          |          |          |                                  |
| S 2100          | 30006055015           | ø 16,5 mini.        | 289      | 45       | 400      | 127      | 1,75 to 2,5                      |

Sheaves / réas

- S35 : 1 sheave.
- S67 et S80 : 2 sheaves.
- Other sections : 4 sheaves.
- S35 : 1 réa.
- S67 et S80 : deux réas.
- Autres profils : 4 réas.

(\*indicative datas. Our research Dpt may change this information depending on configuration / Valeurs indicatives. Le bureau d'études Sparcraft peut modifier ces données selon configuration)

S35 masteads ( fundery) / Têtes de mât S35 (fonderie)

| PROFILS (non tapered / non rétreints) | A  | C  | D  | E  | F  | i  | T   | U  |
|---------------------------------------|----|----|----|----|----|----|-----|----|
| S 35                                  | 61 | 10 | 20 | 96 | 40 | 13 | 150 | 41 |

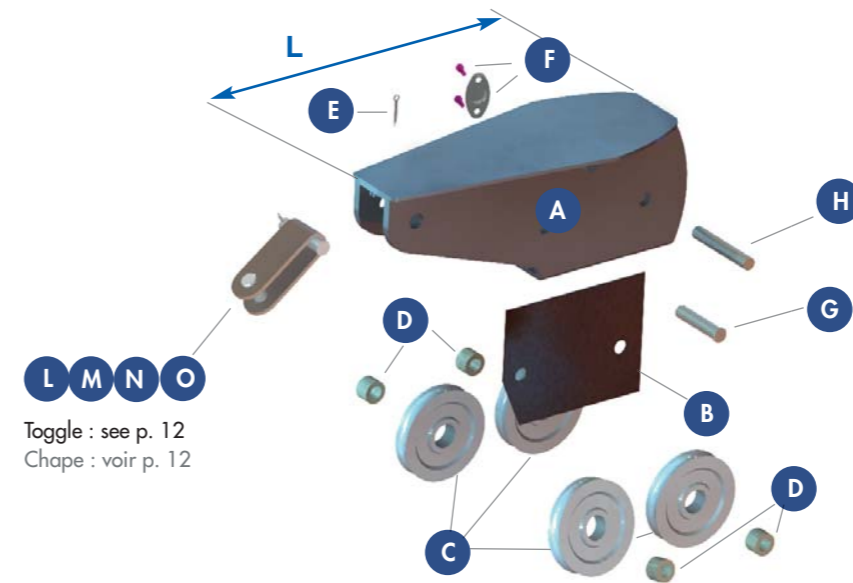
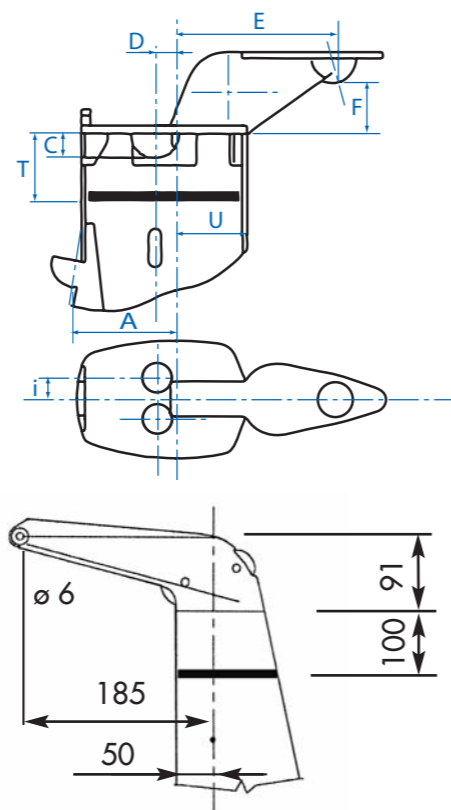
| section | Complete mast head Tête de mât complète | Mast Heavy body Corps de tête | Axe Pin     | Sheave Réa  |
|---------|---|-------------------------------|-------------|-------------|
| S 35    | 30000010355                             | 30000010353                   | 40201080182 | 48530401015 |

- Standing rigging / Gréement dormant : ø 5 ou 3/16" maxi ( wire / câble)
- Running rigging / Gréement courant : ø 8 maxi
- Assembly / Montage : Stainless steel rivet / rivet inox

S80 masteads ( fundery) / Têtes de mât S80 (fonderie)



- Fundery / Fonderie



Toggle : see p. 12  
Chape : voir p. 12



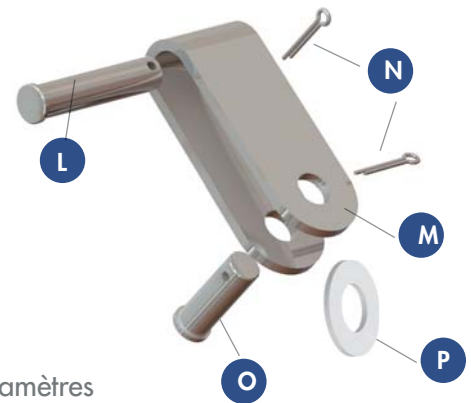
Spinnaker crane option : see p. 13  
Option ferrure de spi voir : p. 13

| MAST SECTION / MÂT |              | S35           | S50                 | S67         | S80         | S137                | S180        | S260        | S305        |             |             |    |             |   |             |   |             |   |             |   |
|--------------------|--------------|---------------|---------------------|-------------|-------------|---------------------|-------------|-------------|-------------|-------------|-------------|----|-------------|---|-------------|---|-------------|---|-------------|---|
| Pict / Repères     | SECTION n°   | BODY n°       | (fundery- fonderie) | 4           | 4           | (fundery- fonderie) | 4           | 4           | 4           | 3           |             |    |             |   |             |   |             |   |             |   |
|                    | LONGUEUR mm  | LENGTH mm     |                     | 135         | 189         | 210                 | 230         | 263         | 240         | 287         | 334         |    |             |   |             |   |             |   |             |   |
|                    | CODE COMPLET | COMPLETE CODE |                     | 30000010355 | 30003011895 | 30004032085         | 30008010786 | 30004052635 | 30004052505 | 30004032875 | 30003053305 |    |             |   |             |   |             |   |             |   |
|                    | DESIGNATION  | DESCRIPTION   | CODE                | QT          | CODE        | QT                  | CODE        | QT          | CODE        | QT          | CODE        | QT |             |   |             |   |             |   |             |   |
| A                  | CORPS        | BODY          | 30000010353         | 1           | 30004011893 | 1                   | 30004032082 | 1           | 30008010783 | 1           | 30004132635 | 1  | 30004052503 | 1 | 30004032872 | 1 | 30003053302 | 1 |             |   |
| B                  | CLOISON      | CHEEK         | -                   | 1           | 30004151991 | 1                   | 30004112085 | 1           | -           | 1           | 30004052632 | 1  | 30004152503 | 1 | 30003152875 | 1 | 30003153303 | 1 |             |   |
| C                  | REAS         | SHEAVES       | 48530401015         | 1           | 48510481215 | 4                   | 48510481215 | 2           | 48510401025 | 2           | 48510601225 | 4  | 48510601325 | 4 | 48510601325 | 4 | 48510801525 | 4 |             |   |
| D                  | BAGUE DELRIN | DELRIN RING   |                     |             |             |                     |             |             |             |             |             |    |             |   |             |   |             |   |             |   |
| E                  | GOUPILLE     | SAFETY PIN    | -                   |             | 28803032200 | 1                   | 28803032200 | 1           |             |             | 28803032320 | 1  | 28803032200 | 1 | 28803032200 | 1 | 28803032200 | 1 |             |   |
| F                  | CACHE AXE    | PIN PROTECT.  | -                   |             | 41201020105 | 1                   | -           |             | 41201020105 | 1           | 41201020105 | 1  | 41201020105 | 1 | 41201020105 | 1 | 41201020105 | 1 |             |   |
|                    | RIVET        | RIVET         | 29002248180         | 2           |             |                     |             |             |             |             |             |    |             |   |             |   |             |   |             |   |
|                    | ANNEAU BRISÉ | SPLIT RING    |                     |             |             |                     |             | 28809000015 | 3           |             |             |    |             |   |             |   |             |   |             |   |
| G                  | AXE ÉPAULÉ   | CLEVIS PIN    | -                   |             | 40020210040 | 1                   | 40020210040 | 1           | 40020208024 | 2           | 40020210040 | 1  | 40020210040 | 1 | 40020210040 | 1 | 40020212052 | 1 |             |   |
| G'                 | AXE ÉPAULÉ   | CLEVIS PIN    | -                   |             |             |                     |             | 40020206028 | 1           |             |             |    |             |   |             |   |             |   |             |   |
| H                  | AXE DROIT    | PIN           | 40201080182         | 1           | 40201100512 | 1                   | -           |             | -           |             | -           |    | 40020110060 | 1 | 40020110060 | 1 | 40020110060 | 1 | 40020112065 | 1 |

| MAST SECTION / MÂT |               | S330          | S385        | S460        | S622        | S830        | S1060       | S1170       | S1395       | S2100       |             |    |             |   |             |   |             |   |             |   |
|--------------------|---------------|---------------|-------------|-------------|-------------|-------------|-------------|-------------|-------------|-------------|-------------|----|-------------|---|-------------|---|-------------|---|-------------|---|
| Pict / Repères     | SECTION n°    | BODY n°       | 3           | 3           | 3           | 3           | 6           | 3           | 6           | 6           |             |    |             |   |             |   |             |   |             |   |
|                    | LONGUEUR (mm) | LENGTH (mm)   | 321         | 336         | 335         | 335         | 363         | 420         | 441         | 441         | 500         |    |             |   |             |   |             |   |             |   |
|                    | CODE COMPLET  | COMPLETE CODE | 30003033215 | 30003053365 | 30003053355 | 30003033453 | 30003034156 | 30006054505 | 30003034405 | 30006054715 | 30006055015 |    |             |   |             |   |             |   |             |   |
|                    | DESIGNATION   | DESCRIPTION   | CODE        | QT          | CODE        | QT          | CODE        | QT          | CODE        | QT          | CODE        | QT |             |   |             |   |             |   |             |   |
| A                  | CORPS         | BODY          | 30003033212 | 1           | 30003053363 | 1           | 30003053353 | 1           | 30006203453 | 1           | 30003034153 | 1  | 30006054502 | 1 | 30003134403 | 1 | 30006054712 | 1 | 30006055011 | 1 |
| B                  | CLOISON       | CHEEK         | 30003113215 | 1           | 30003153365 | 1           | 30003153355 | 1           | 30006203452 | 1           | 30003114153 | 1  | -           |   | 30003034402 | 1 | -           |   | -           |   |
| C                  | REAS          | SHEAVES       | 48530851515 | 4           | 48510801525 | 4           | 48510801525 | 4           | 48510801525 | 4           | 48510801525 | 4  | 48511102125 | 4 | 48510801525 | 4 | 48511102125 | 4 | 48511102125 | 4 |
| D                  | BAGUE DELRIN  | DELRIN RING   | 40502021012 | 4           |             |             |             |             |             |             |             |    |             |   |             |   |             |   |             |   |
| E                  | GOUPILLE      | SAFETY PIN    | 28803032200 | 1           | -           |             | 28803032200 | 1           | 28803032200 | 1           | 28803032200 | 1  | 28803040400 | 2 | 28803032200 | 1 | 28803040400 | 2 | 28803032320 | 1 |
| F                  | CACHE AXE     | PIN PROT.     | 41201020105 | 1           | 41201020105 | 2           | 41201020105 | 1           | 41201020105 | 1           | 41201020105 | 1  | -           |   | 41201020105 | 1 | 41201020205 | 1 | 41201020205 | 1 |
| I                  | RONDELLE      | WASHER        |             |             |             |             |             |             |             |             |             |    |             |   |             |   | 28601018000 | 2 |             |   |
| G                  | AXE ÉPAULÉ    | CLEVIS PIN    | 40020212052 | 1           | -           |             | 40020212052 | 1           | 40020212052 | 1           | 40020212052 | 1  | 40020218078 | 1 | 40020212052 | 1 | 40020218078 | 1 | 40020218078 | 1 |
| H                  | AXE DROIT     | PIN           | 40020112065 | 1           | 40020112080 | 2           | 40020112065 | 1           | 40020112080 | 1           | 40020112080 | 1  | 40201181052 | 1 | 40020112056 | 1 | 40201181052 | 1 | 40201181052 | 1 |
|                    | AXE MOULAGE   | 2 to 1 PIN    |             |             |             |             |             |             |             |             |             |    |             |   |             |   |             |   |             |   |

OPTION - CONTACT US / NOUS CONSULTER

**MASTEAD TOGGLE KIT / CHAPES DE TÊTES DE MÂT**



**Mastead toggles - Chapes de têtes de mâts :**

■ Les The toggles are adapted to the mastheads section (N°3 or N°4) and to the diameters of the wires.

Les chapes sont adaptées au profil de tête de mât ( N°3 ou N°4 ) et aux diamètres des câbles.

| Toggles for masteads N° 4 / Chapes têtes de mât N° 4 |                |                   |                          |                                |  |                                   |                               |
|--|----------------|-------------------|--------------------------|--------------------------------|--|-----------------------------------|-------------------------------|
| Toggle Ref.<br>Réf. chape                            | ∅ Pin<br>∅ Axe | ∅ Wire<br>∅ Câble | Pin<br>axe épaulé<br>(L) | Cardan<br>Single Toggle<br>(M) | Safety pin<br>Goupille<br>x 2 (N)                      | Toggle pin<br>Axe de chape<br>(O) | Washer pin<br>Rondelle<br>(P) |
| 30024006025  | ∅ 6            | ∅ 3               | (10 x 40)<br>40020210040 | (ep. 2)<br>41410100641         | (∅2 x 18)<br>28803020180<br>(∅3,2 x 20)<br>28803032200 | (6 x 24)<br>40020206024           | -                             |
| 30024008025  | ∅ 8            | ∅ 4 - ∅ 5         | (10 x 40)<br>40020210040 | (ep. 2)<br>41410100841         | (∅2 x 18)<br>28803020180<br>(∅3,2 x 20)<br>28803032200 | (8 x 18)<br>40020208018           | -                             |
| 30024010035  | ∅ 10           | ∅ 5 - ∅ 6         | (10 x 40)<br>40020210040 | (ep. 3)<br>41410101031         | (∅3,2 x 20)<br>28803032200                             | (10 x 24)<br>40020210024          | -                             |
| Toggles for masteads N° 3 / Chapes têtes de mât N° 3 |                |                   |                          |                                |  |                                   |                               |
| 30023010045  | ∅ 10           | ∅ 5 - ∅ 6         | (12 x 52)<br>40020212052 | (ep. 3)<br>41410101031         | (∅3,2 x 20)<br>28803032200                             | (10 x 24)<br>40020210024          | (Qt 2 / ∅ 10)<br>28601010000  |
| 30023012045  | ∅ 12           | ∅ 6 - ∅ 7<br>∅ 8  | (12 x 52)<br>40020212052 | (ep. 4)<br>1410101241          | (∅3,2 x 20)<br>28803032200                             | (12 x 30)<br>40020212030          | -                             |
| 30023014055  | ∅ 14*          | ∅ 10*             | (14 x 54)<br>40020214054 | (ep. 5)<br>41410101451         | (∅3,2 x 20)<br>28803032200                             | (14 x 32)<br>40020214032          | (Qt 2 / ∅ 14)<br>28601014000  |
| 30023016065  | ∅ 16           | ∅ 10              | (16 x 57)<br>40020216057 | (ep. 6)<br>41410101661         | (∅3,2 x 32)<br>28803032320                             | (16 x 40)<br>40020216040          | -                             |
| 30023018085  | ∅ 18           | ∅ 12              | (18 x 56)<br>40020218056 | (ep. 8)( nom18)<br>41410101881 | (∅4 x 40)<br>28803040400                               | (18 x 42)<br>40020218042          | -                             |

\* ∅ 14 : Specific use / utilisation marginale

**Mastead toggles - Chapes de têtes de mâts :**

■ Mastheadn°5 and 6 : toggle to be added on the forestay and backstay top end fitting

Têtes de mât N°5 et 6 : prévoir une terminaison chape sur étai et pataras