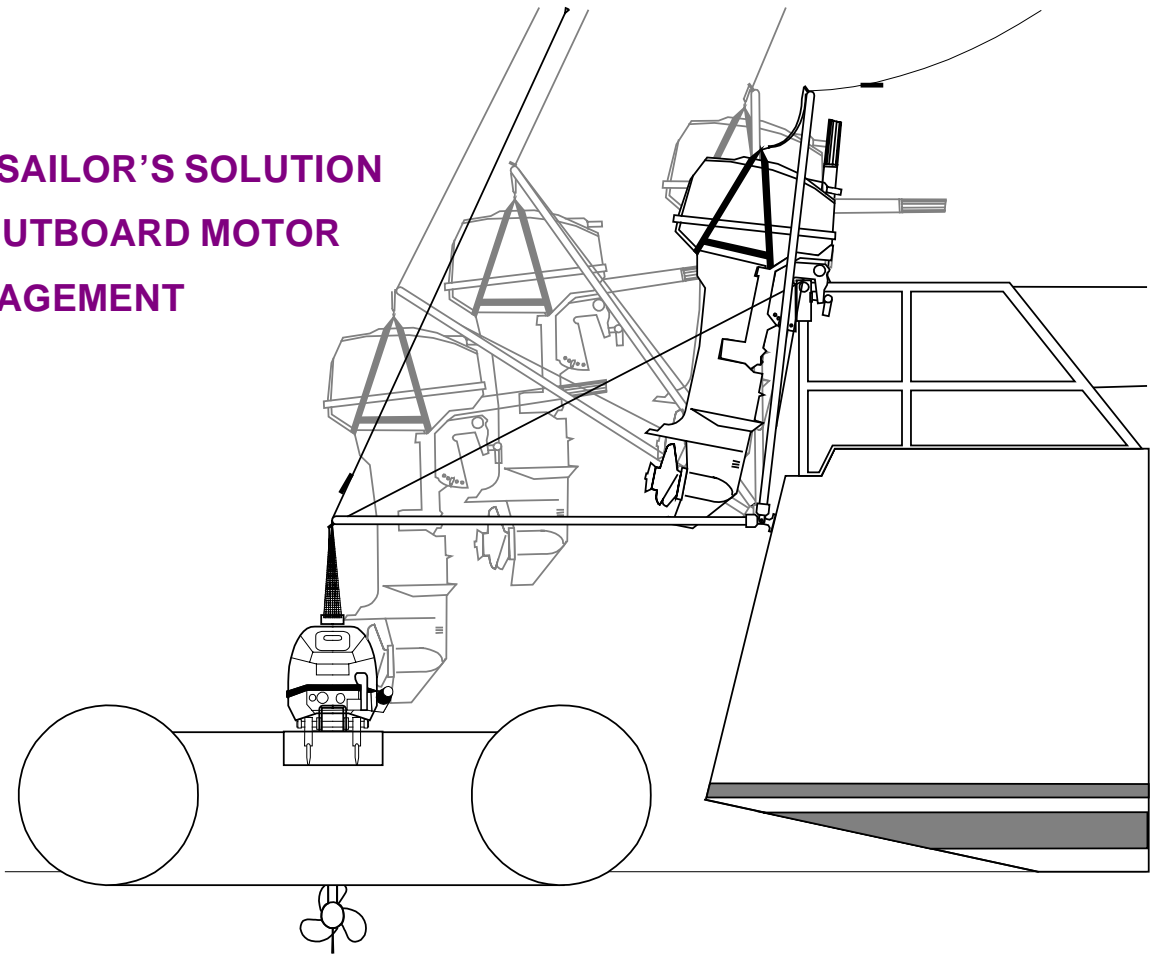




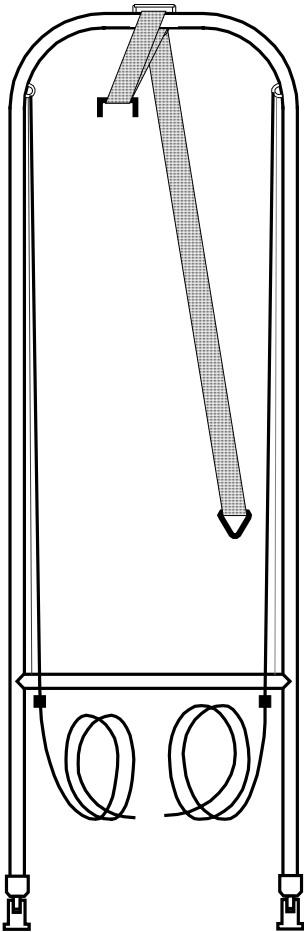
**THE SAILOR'S SOLUTION
TO OUTBOARD MOTOR
MANAGEMENT**



FEATURES

- ✓ **Quick, easy, single-handed operation!**
- ✓ **Stainless steel construction.**
- ✓ **Fits most outboards to 20 hp and 120 lbs.**
- ✓ **Easy installation with a drill and four screws.**
- ✓ **Compact and light, fits on the rail with your motor.**
- ✓ **Keeps motor clear of your hull to prevent damage or injury.**
- ✓ **Use with a halyard or other tackle and an outboard motor harness.**

Swing-Lift



SPECIFICATIONS

Height: 55 inches Width: 18 inches Weight: 7 lbs

Maximum outboard width: 16 inches

Maximum outboard weight: 120 lbs

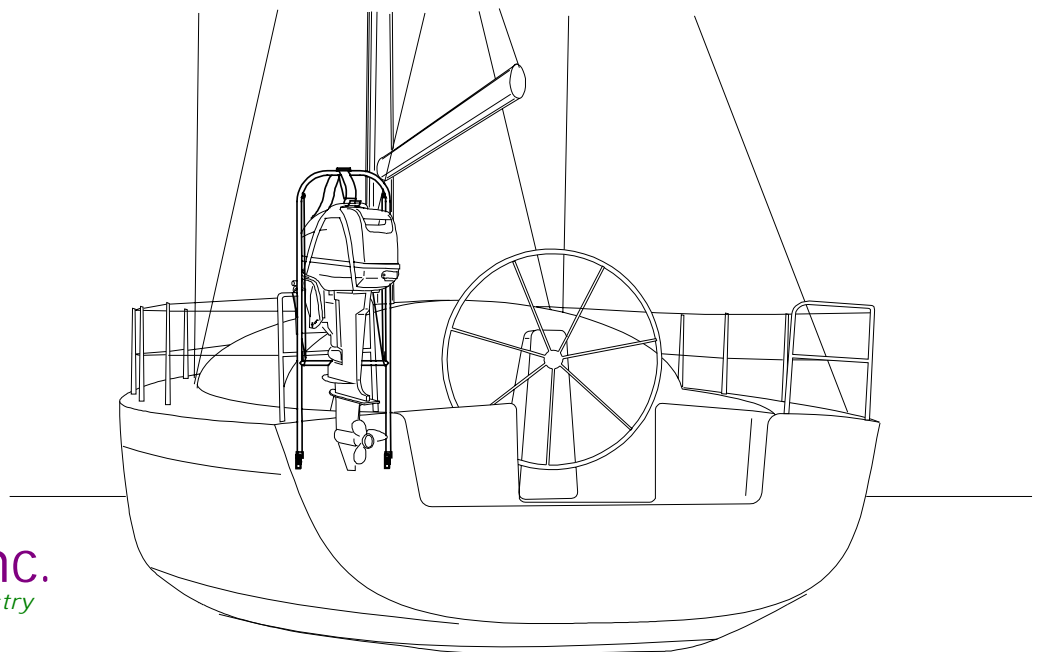
Frame material: Polished 7/8" 304 stainless steel tubing

Fittings: 316 stainless steel

Lifting strap material: 2" nylon webbing (black)

Restraining lines: 3/16" nylon solid braid (black)

Mounting hardware: 2" #10 18.8 stainless screws



Thistlework Inc.
Solutions for the Marine Industry

www.swing-lift.com

PATENT PENDING

info@swing-lift.com