

ITEM NO.	Hanse No	Jefa No.	Description	QTY
1	TRS0430	WP800	Complete pedestal set with wires and chain	1
2	TRS0431		Hanse 430 travers with sheaves	1
3	TRS0432	QU2580	Quadrant R250 80°	1
4	TRS0473	WHS1000L	Stainless steel wheel, 1000mm with gray hide cover	2
5	TRS0048	DU-TS150-12	Drive unit. 150kgm 12V	1
6	TRU3020		Special locking. ø90mm	1
7	TRU3017	5T090Z	Top bearing with cover, locking and ball for ø90mm shaft	1
8	TRU3026		GRP tube for 160mm ball, H=400mm	1
9	TRU3027		ø115mm Bearing, 160mm ball	1
10	TRU0075	RUD46	Rudderblade & rudderstock Hanse 430, ø115mm	1

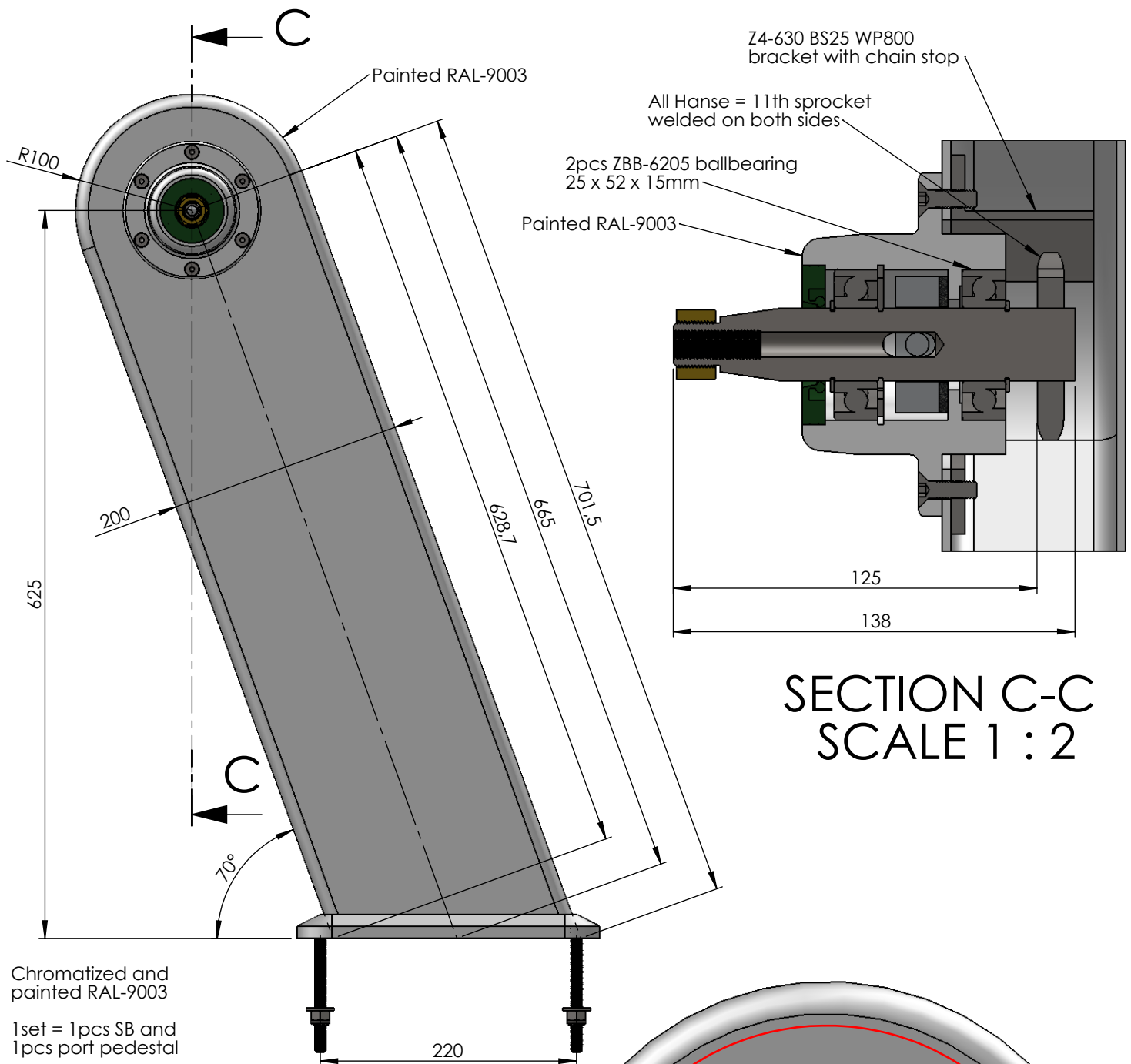
Project: **Hanse 430**

Scale: 1:20 Date: 12/01-2009

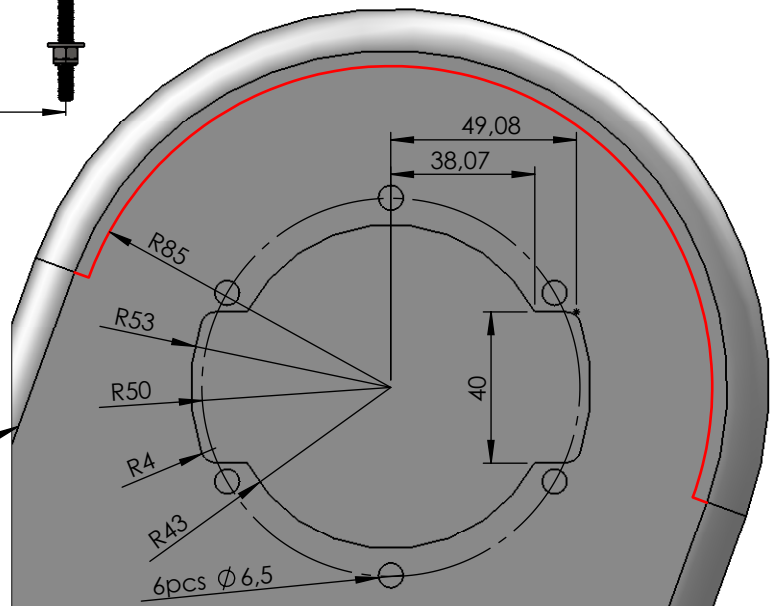
Drawn by: KJ

Jefa Rudder & *Jefa Steering*
SYSTEMS SYSTEMS

JEFA MARINE A/S JEFA STEERING ApS
Nimbusvej 2 Agenavej 43
2670 Greve, Denmark 2670 Greve, Denmark
Phone: +45 4615 5210 & Fax: +45 4615 5208
Email: info@jefa.com Homepage: www.jefa.com



200 x 62.5 x 3mm alu tube
Measurements for cutting tube
Hanse 850mm



DWG NR / NAME: WP800-71 / Hanse pedestal

Boat types:
Hanse405 Hanse4
Hanse470 Hanse54

PROJECT: Standart wire pedestal for Hanse

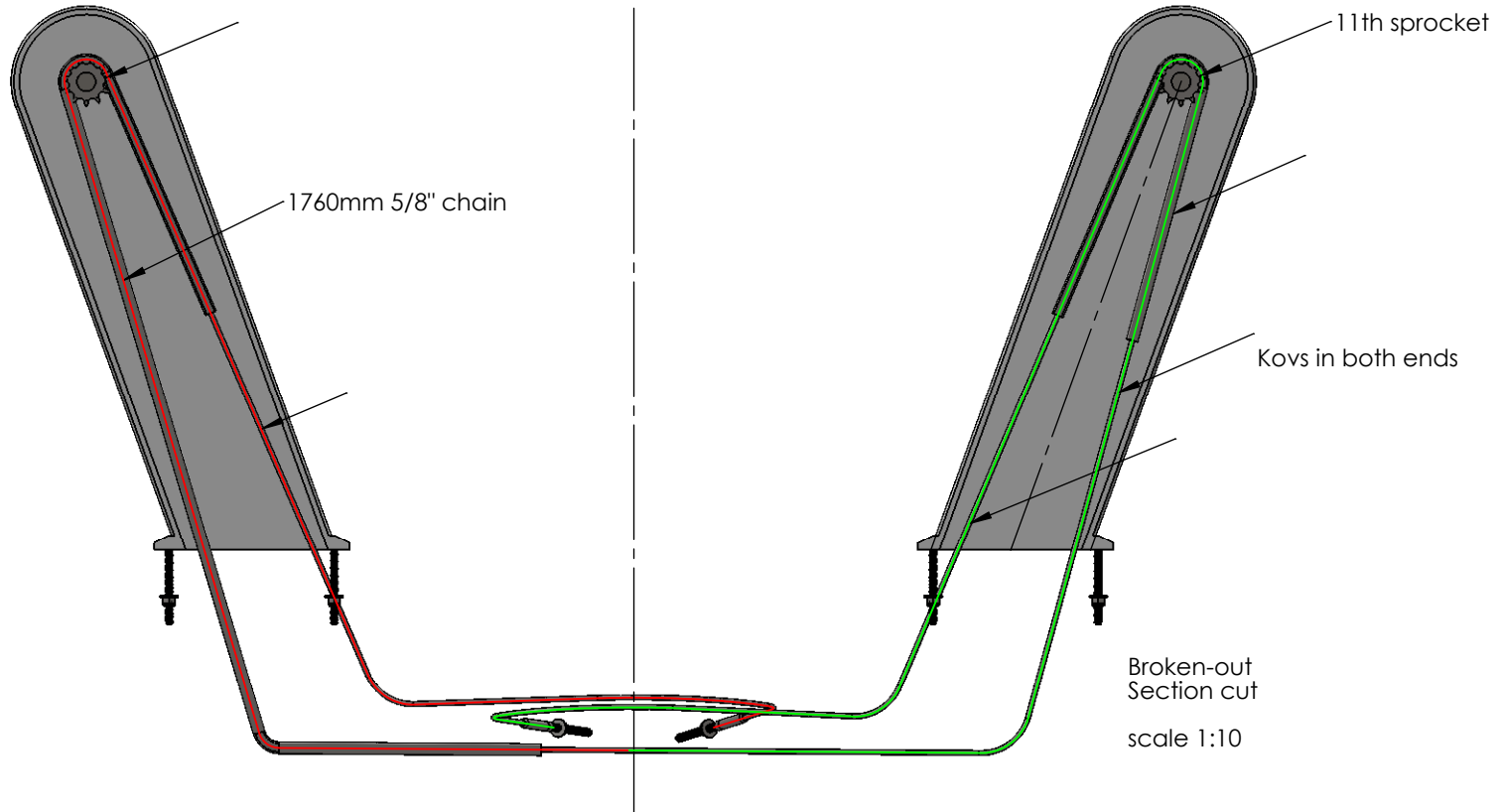
DATE: 13/01-2009	NAME: KJ	SCALE / PAPER: 1:5 / A4	MATERIAL: WEIGHT: g	LOCATION: REV:
---------------------	-------------	----------------------------	------------------------	-------------------

MODIFY DATE:
: /

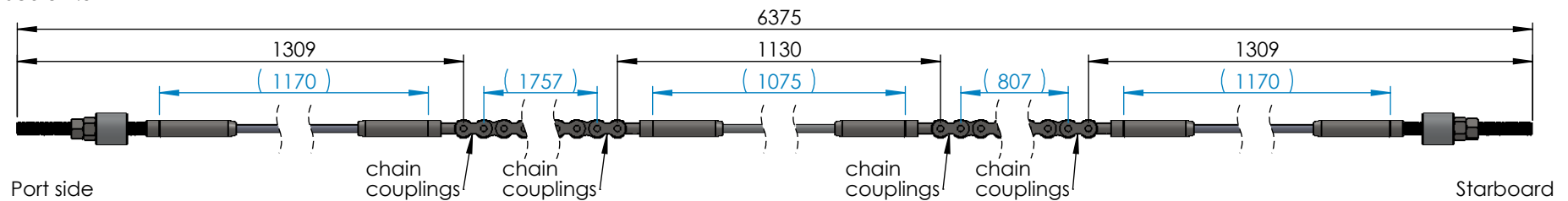
Jefa Steering
SYSTEMS
JEFA MAKINE A/S
NIMBUSVEJ 2
2670 GREVE, DENMARK
Tlf: +45 4615 5210 & Fax: +45 46155208
Email: info@jefa.com www.jefa.com


Port side
Indicated with
(RED)

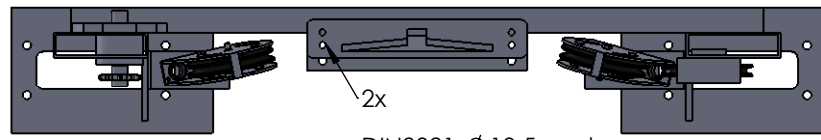
Starboard
Indicated with
(GREEN)



Hanse 430 wire $\varnothing 6\text{mm}$
Scale 1:5



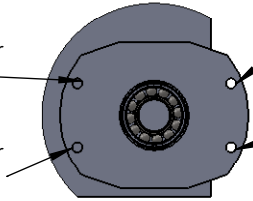
PROJECT: Hanse 430				BATCH NR:		 Jefa Steering SYSTEMS JEFA STEERING ApS AGENAVEJ 43 2670 GREVE. DENMARK Tlf: +45 4615 5210 & Fax: +45 4369 5211 Email: info@jefa.com www.jefa.com
DATE: 13/01-2009		NAME: KJ		REKV.NR / ORDRE NR:		
MODIFY DATE: : /		1:10 / A4		ORDRE DATO:		
		MATERIAL: WEIGHT: g		LEV.DATO:		
				LOCATION:		
				REV:		



2x
DIN9021 \varnothing 10,5 washer
DIN985 M10 Locknut

DIN916 M8x50mm pinol
DIN125 \varnothing 8,4mm washer
DIN985 M8 Locknut

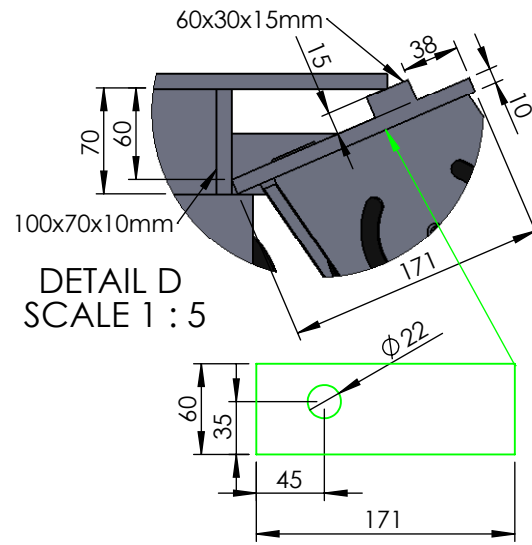
DIN916 M8x50mm pinol
DIN125 \varnothing 8,4mm washer
DIN985 M8 Locknut



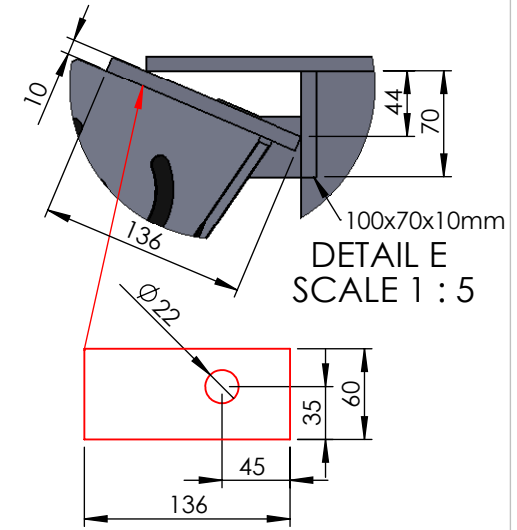
DETAIL J
SCALE 1 : 6

DIN916 M8x60mm pinol
DIN125 \varnothing 8,4mm washer
DIN985 M8 Locknut

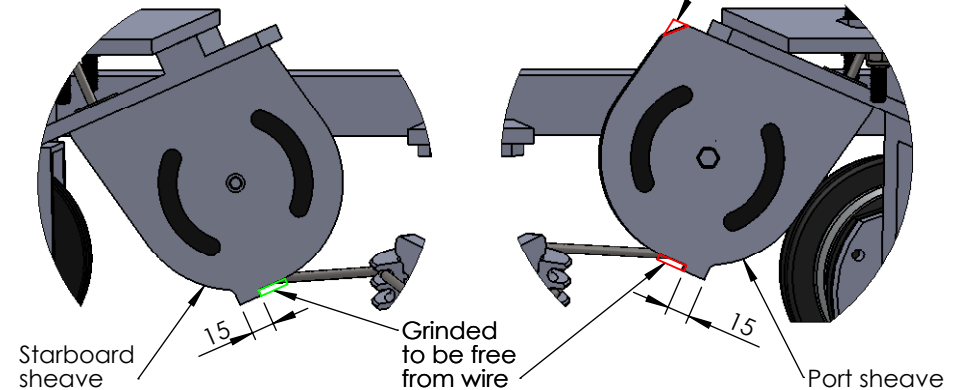
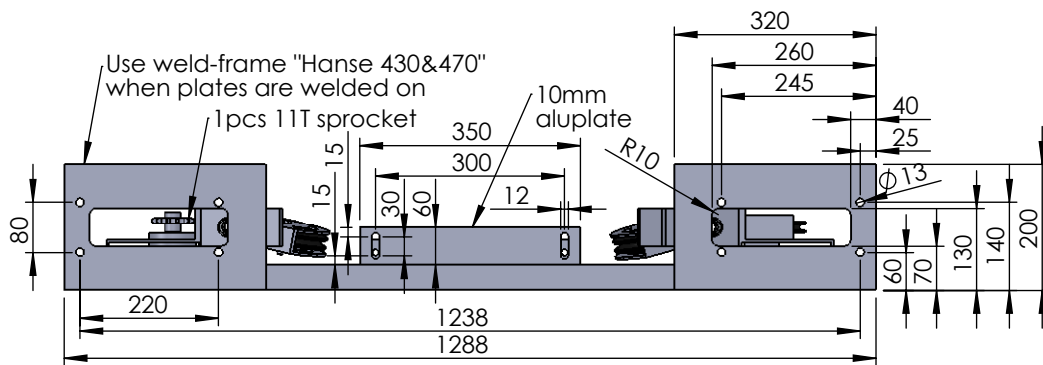
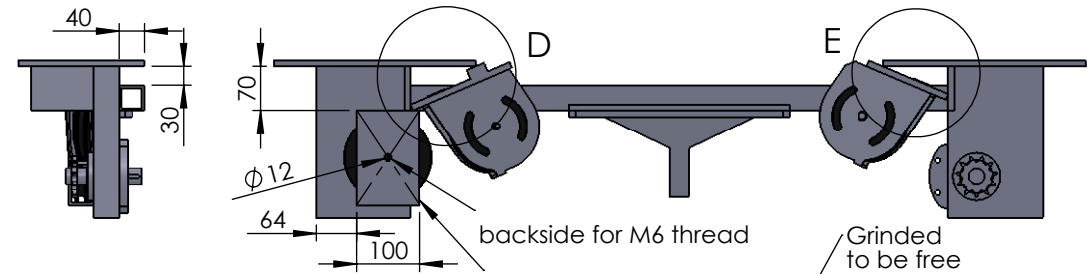
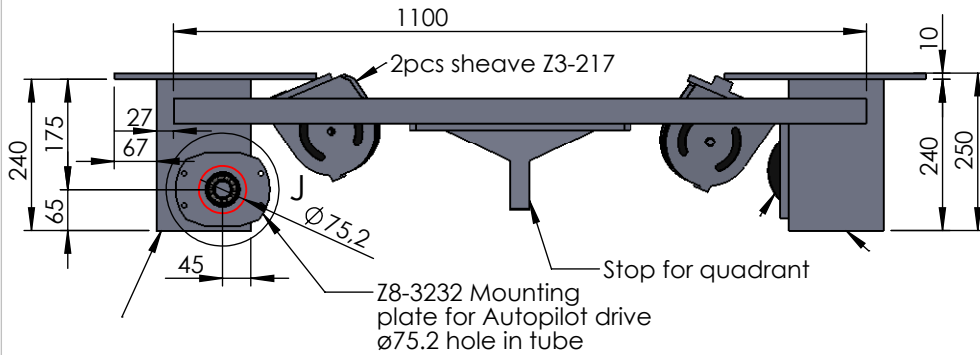
DIN916 M8x60mm pinol
DIN125 \varnothing 8,4mm washer
DIN985 M8 Locknut



DETAIL D
SCALE 1 : 5



DETAIL E
SCALE 1 : 5



PROJECT:		REKV.NR / ORDRE NR:	
DATE:	NAME: KJ	WEIGHT: g	REV:
: /			



JEFA STEERING ApS
2670 GREVE, DENMARK
Tlf: +45 4615 5210 & Fax: +45 4369 5211
Email: info@jefa.com www.jefa.com

A

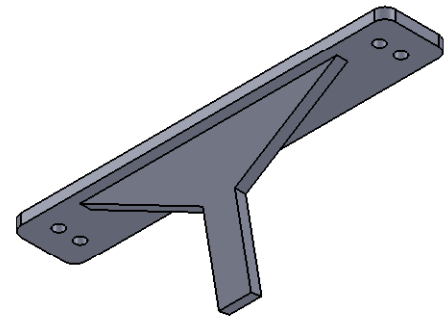
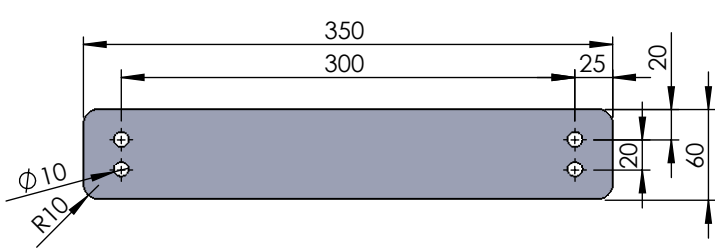
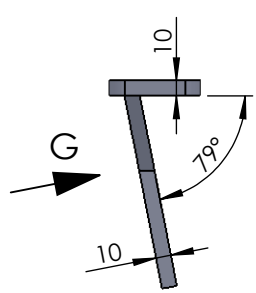
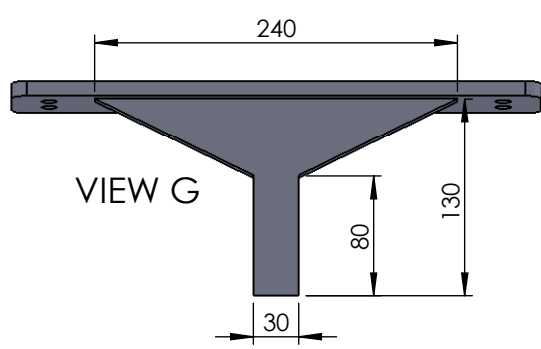
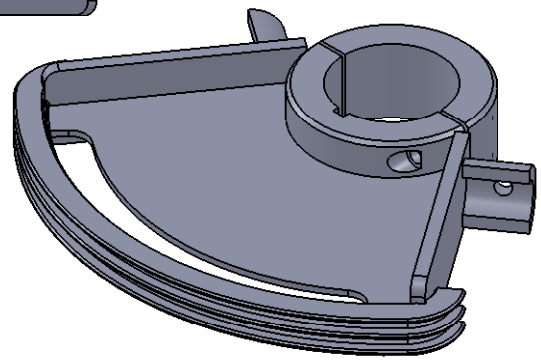
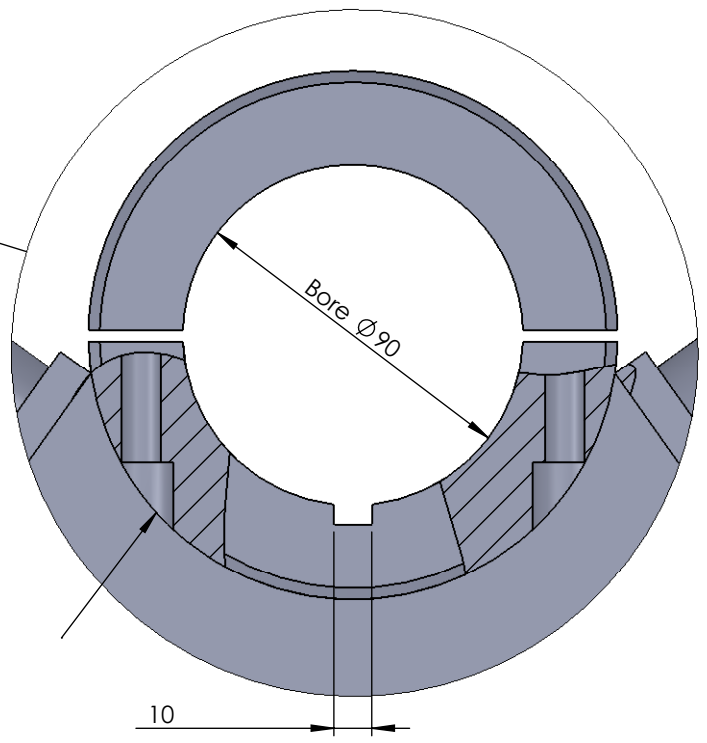
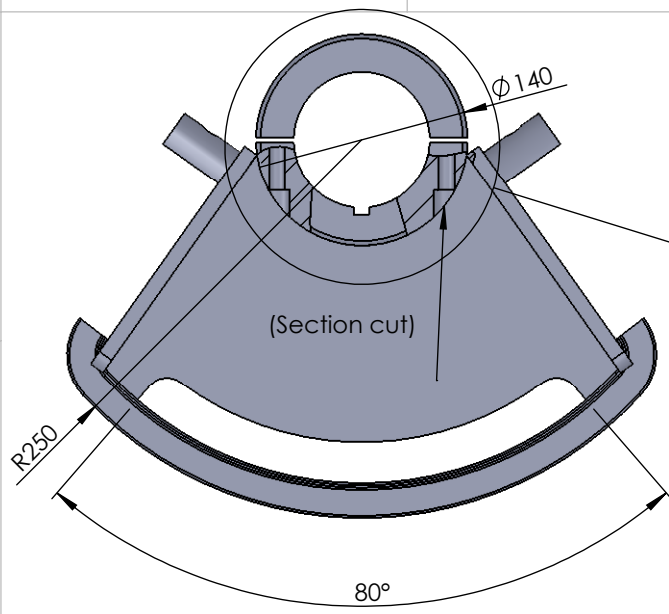
B

C

D

E

F



DWG NR / NAME: TRS0432 / Pos. 3

PROJECT:

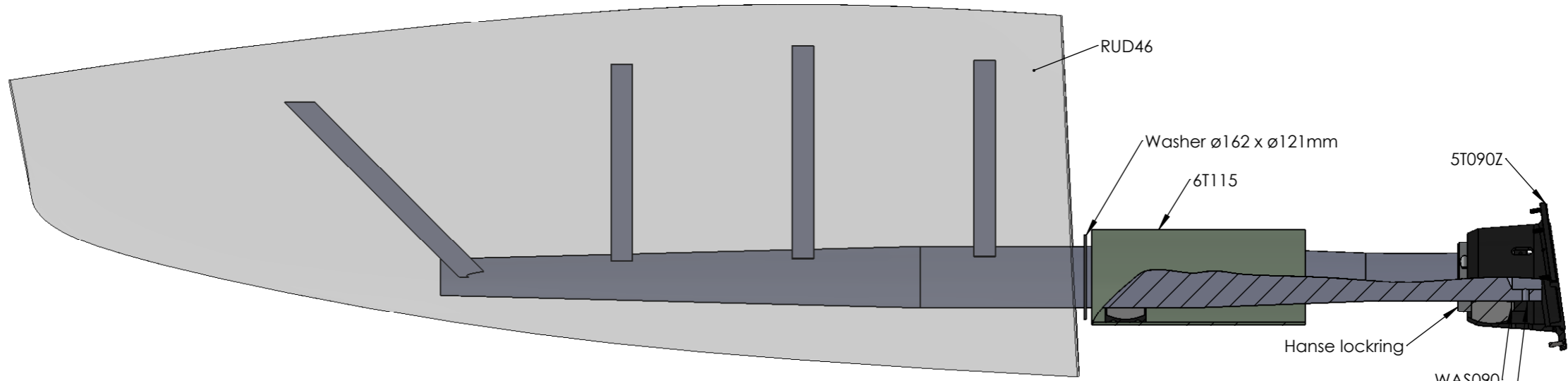
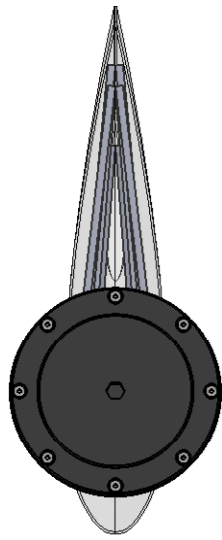
REKV.NR / ORDRE NR:

DATE: NAME: KJ SCALE / PAPER: 1:5 / A4 MATERIAL: WEIGHT: g

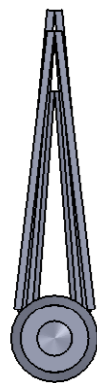
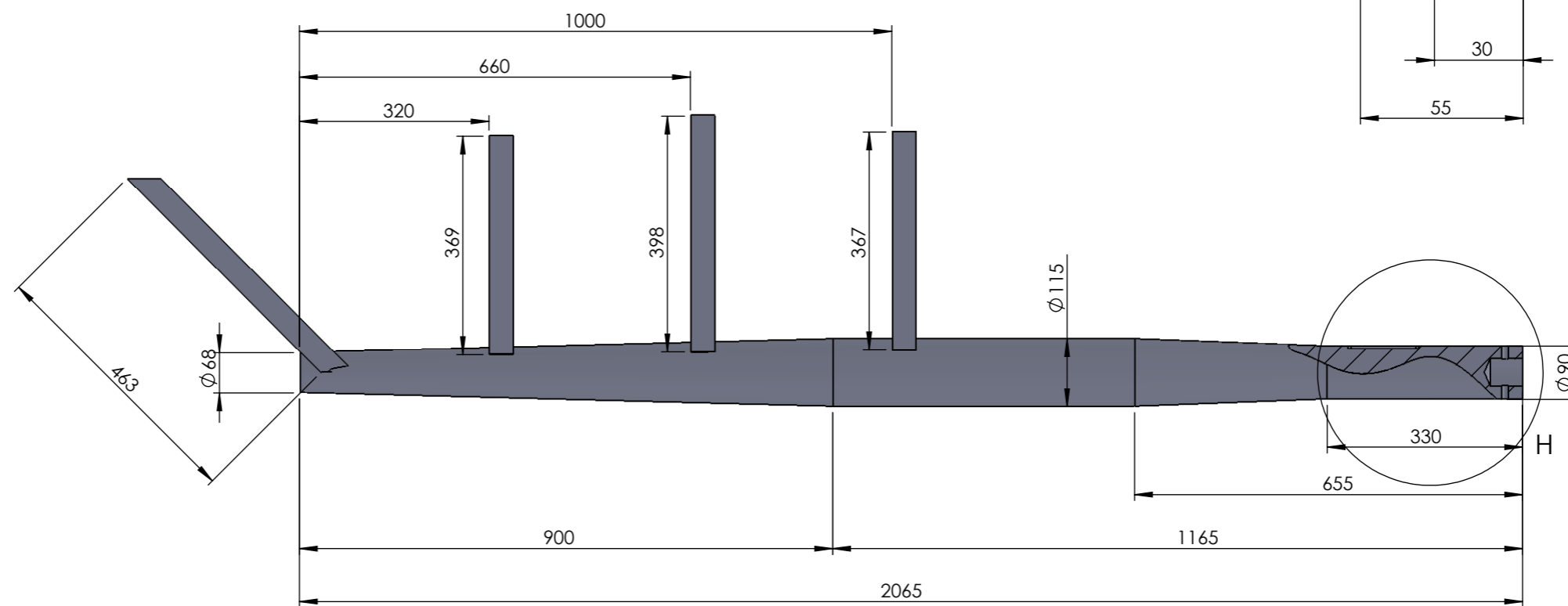
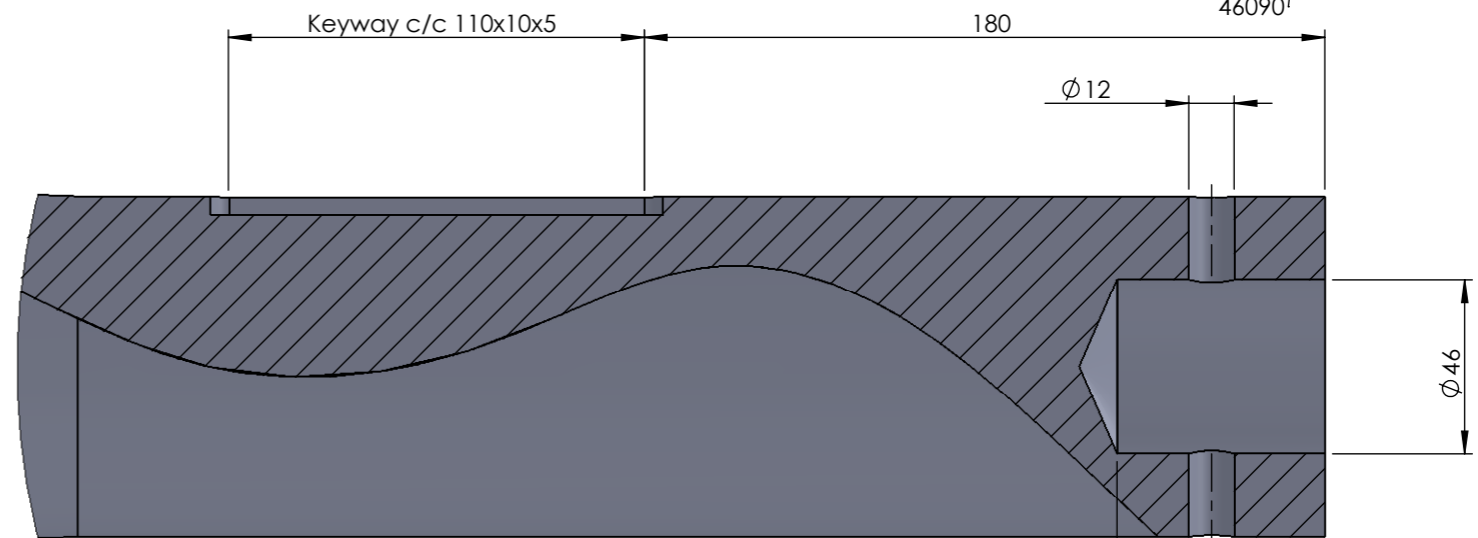
REV:

: /

Jefa Steering
SYSTEMS
JEFA STEERING ApS
AGENAVEJ 43
2670 GREVE, DENMARK
Tlf: +45 4615 5210 & Fax: +45 4369 5211
Email: info@jefa.com www.jefa.com



Jefa Rudder & Steering



Project:	
Hanse 430	
Scale: 1:10	Date: 12/01-2009
Drawn by: KJ	



JEFA MARINE A/S JEFA STEERING ApS
 Nimbusvej 2 Agenavej 43
 2670 Greve, Denmark 2670 Greve, Denmark
 Phone: +45 4615 5210 & Fax: +45 4615 5208
 Email: info@jefa.com Homepage: www.jefa.com