

OCF10-M57603EN

Introduction

1. This parts catalog for SD40, SD40-4T, SD50, SD50-4T is published as a revised edition of the Diesel engine.

	Parts catalog No.	Date of issue	Remarks
First edition	000Y00F5760	Jan. , 2000	No need
1st edition(supplement)	000Y00F5761	July. 2001	No need
2nd edition(supplement)	000Y00F5762	Dec. , 2004	No need
3rd revised edition	OCF10-G57603	Apr. , 2011	

2. Standard finish color.

Yanmar magicron gray

Parts No. 977620-10450	1L(Packed in a can)
Parts No. 977620-40450	4L(Packed in a can)
Parts No. 977620-30450	Spray(1 piece)

3. Drive No.

Model	Manufactured	Drive No.
SD40	~Dec. , 2003	~06804
	Jan. , 2003~	0001-03~
	Jan. , 2004~	0001-04~
SD40-4T	~Dec. , 2003	~T5233
	Jan. , 2004~	T001-04~
SD50	2004~	0001-04~
SD50-4T	2004~	T001-04~

4. This parts catalog does not contain the technical data needed for maintenance service.

5. The illustrations used in this parts catalog have been simplified for clarity.

6. The contents of this parts catalog are subject to change without notice.

7. Be sure to use only Yanmar genuine parts for repairs. If imitation parts are used, it may cause engine defects.

Contents

OCF10-M57603

Fig. No. Fig. Name

SD40/50(-4T)

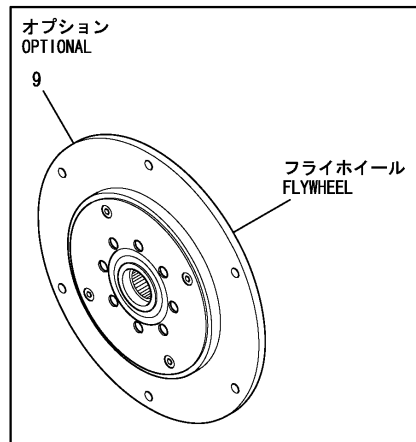
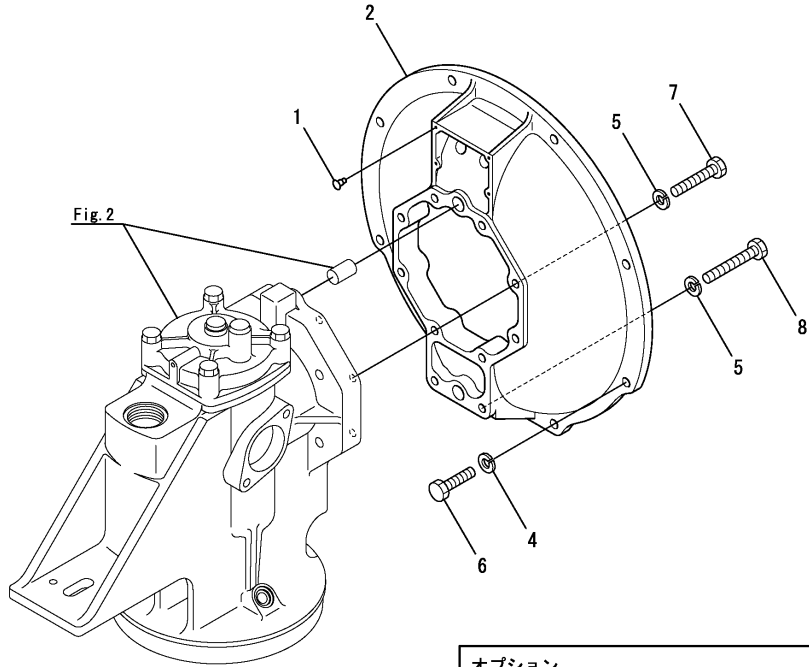
1. MOUNTING FLANGE
2. UPPER GEAR HOUSING
3. LOWER GEAR HOUSING
4. RUBBER MOUNT & SEAL FLANGE
5. SHIFT LEVER
6. LUB. OIL WASTE PUMP
7. TOOL
8. EXTENSION(OPTIONAL)
9. SPECIAL TOOL(A)(OPTIONAL)
10. SPECIAL TOOL(B)(OPTIONAL)
11. CONE ASSY(OPTIONAL)

Fig. No. Fig. Name

Fig.1. MOUNTING FLANGE

(A)=SD40
(B)=SD40-4T
(C)=SD50

(D)=SD50-4T
(E)=
(F)=

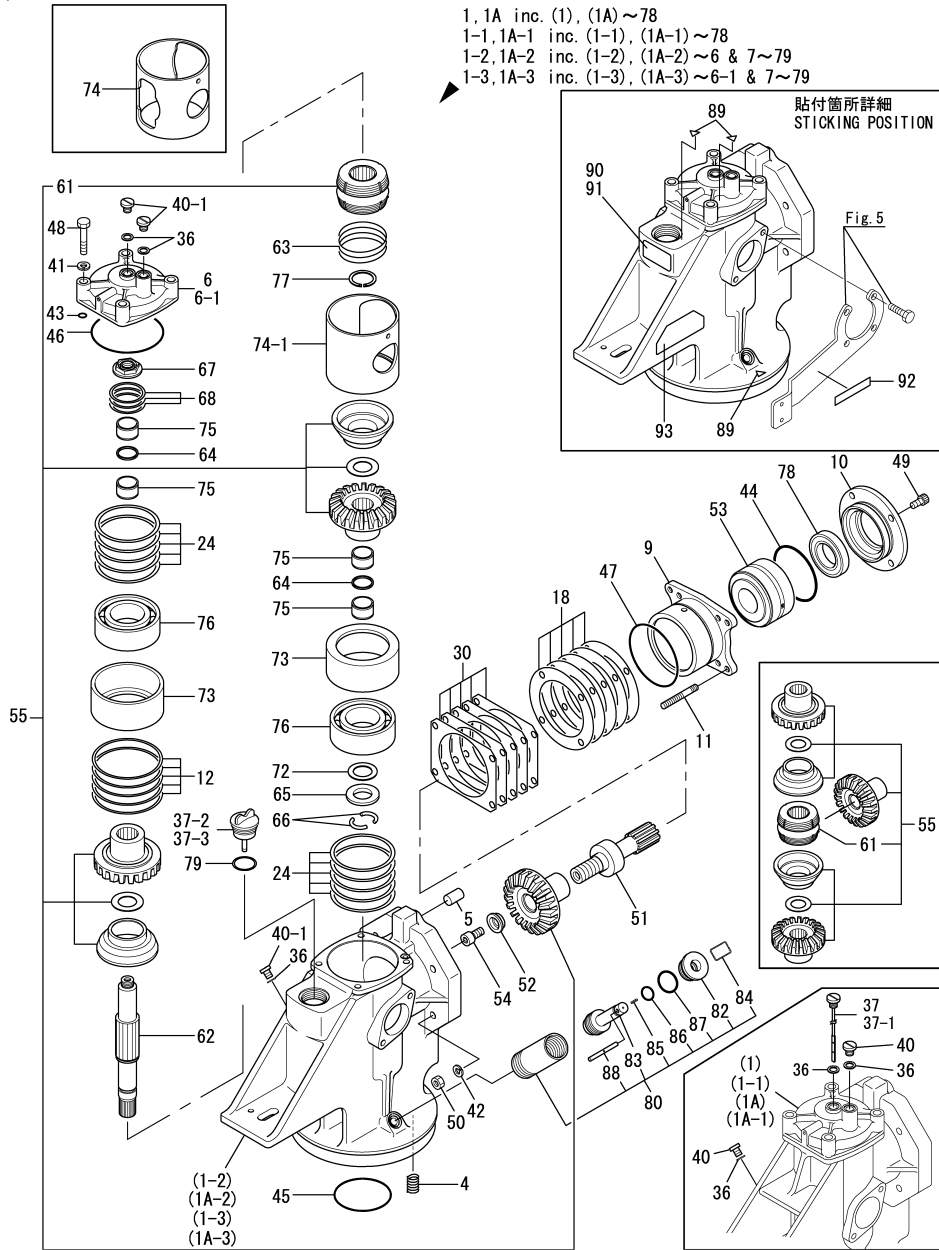


No.	Lev.	Parts No.	Description	Qty						I	R
				(A)	(B)	(C)	(D)	(E)	(F)		
1	1	196311-02060	RIVET, 2X5	4	4	4	4				
2	1	196440-02110	FLANGE, MOUNTING	1		1					
2-1	1	196440-02111	FLANGE, MOUNTING 5	1		1					N
2A	1	196440-02130	FLANGE, MOUNTING 4		1		1				
4	1	22217-080000	WASHER, SPRING 8	8		8					
4A	1	22217-100000	WASHER, SPRING 10		8		8				
5	1	22217-080000	WASHER, SPRING 8	10	10	10	10				
6	1	26206-080302	BOLT, M8X 30 PLATED	8							
6-1	1	26206-080202	BOLT, M8X 20 PLATED	8		8					N
6A	1	26206-100302	BOLT, M10X 30 PLATED		8		8				
7	1	26206-080402	BOLT M8X40	8	8	8	8				
8	1	26206-080502	BOLT, M8X 50 PLATED	2	2	2	2				
9	1	196440-04300	COUPLING, 250 SP26		1		1				W
9A	1	196440-04310	COUPLING, 250 SP10	1		1					W

Fig.2. UPPER GEAR HOUSING

(A)=SD40
(B)=SD40-4T
(C)=SD50

(D)=SD50-4T
(E)=
(F)=

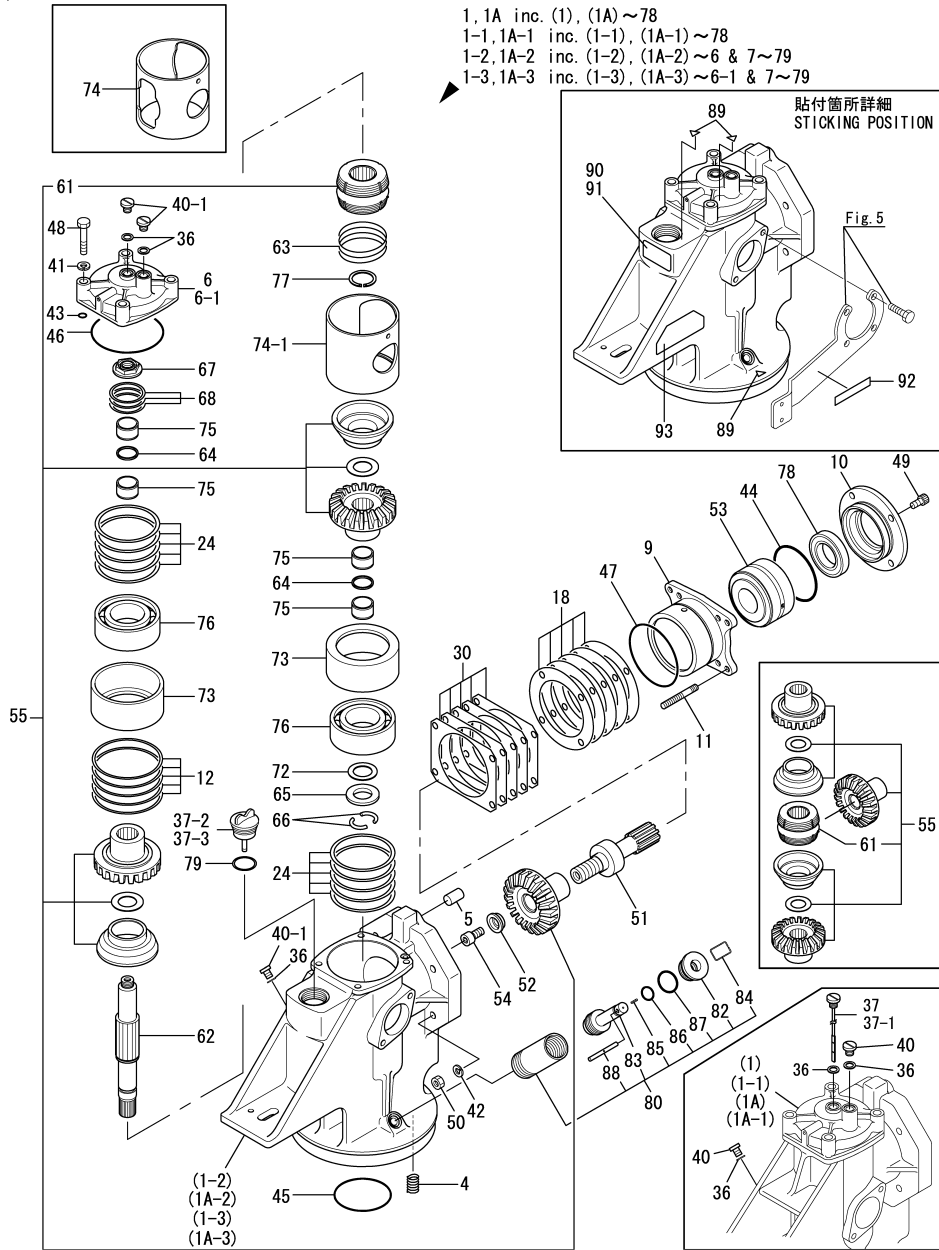


No.	Lev.	Parts No.	Description	Q'ty						I	R
				(A)	(B)	(C)	(D)	(E)	(F)		
1	1	796440-02900	HOUSING ASSY, GEAR	1							
1-1	1	796440-02901	HOUSING ASSY, UPPER	1						S	1
(A=D#0022-04)											
1-2	1	796440-02902	HOUSING ASSY, GEAR	1	1						N
(A=*2004.02)											
1-3	1	796440-02903	HOUSING ASSY, GEAR			1					N
(C=DXXXXX)											
1A	1	796440-02940	CASE ASSY, GEAR		1						
1A-1	1	796440-02941	CASE ASSY, GEAR		1					S	1
(B=D#T022-04)											
1A-2	1	796440-02942	CASE ASSY, GEAR		1		1				N
(B=*2004.02)											
1A-3	1	796440-02943	CASE ASSY, GEAR					1			N
(D=DXXXXX)											
4	3	196420-02050	INSERT, LOCK 10X1.5	8	8	8	8				
5	2	177099-02130	PIN, PARALLEL	2	2	2	2				
6	2	196440-02140	COVER ASSY, UPPER	1	1	1	1				
6-1	2	196450-02140	COVER ASSY, UPPER			1	1				N
(C=DXXXXX) (D=DXXXXX)											
9	2	196440-02160	HOUSING, BEARING	1	1	1	1				
10	2	196440-02170	CASE, OIL SEAL	1	1	1	1				
11	2	196440-02180	STUD	4	4	4	4				
12	2	196320-02230	SHIM SET, 85/92	1	1	1	1				
18	2	196440-02250	SHIM SET, 81/118	1	1	1	1				
24	2	196322-02320	SHIM SET, 75/85	2	2	2	2				
30	2	196440-02320	SHIM SET, 100X120	1	1	1	1				
36	2	189010-01130	GASKET	3	3	3	3				
37	2	196326-02410	DIPSTICK ASSY	1	1						
37-1	2	196440-02410	DIPSTICK ASSY	1	1						N
(A=*2003.09) (B=*2003.09)											
37-2	2	196420-02350	GAUGE, OIL LEVEL	1	1	1	1				S
(A=*2004.02) (B=*2004.02)											
37-3	2	196450-02350	GAUGE, OIL LEVEL	1	1	1	1				N
(A=DXXXXX) (B=DXXXXX) (C=DXXXXX) (D=DXXXXX)											
40	2	196326-02420	PLUG	2	2						
40-1	2	196326-02420	PLUG	3	3	3	3				K
(A=*2004.02) (B=*2004.02)											
41	2	22217-080000	WASHER, SPRING 8	4	4	4	4				
42	2	22217-080000	WASHER, SPRING 8	4	4	4	4				
43	2	24311-000090	O-RING, 1AP9.0	1	1	1	1				
44	2	24321-000750	O-RING, 1AG75.0	1	1	1	1				
45	2	24321-000800	O-RING, 1AG80.0	1	1	1	1				
46	2	24321-000950	O-RING, 1AG95.0	1	1	1	1				
47	2	24341-000850	O-RING, 1AS85.0	1	1	1	1				
48	2	26206-080452	BOLT, M8X 45 PLATED	4	4	4	4				
49	2	26450-080162	BOLT, M8X 16	4	4	4	4				
50	2	26716-080002	NUT, M8	4	4	4	4				
51	2	196440-04130	SHAFT, PINION NO5	1		1					
51A	2	196440-04150	SHAFT, PINION NO4		1		1				
52	2	196322-04240	WASHER	1	1	1	1				
53	2	196322-04781	BEARING	1	1	1	1				

Remarks

(1)Interchangeable by simultaneous replacement with Fig.3 No.1-2, or No.36-1.
This design change is not applied to drive No.0109-04 and T109-04.

Fig.2. UPPER GEAR HOUSING



(A)=SD40
 (B)=SD40-4T
 (C)=SD50

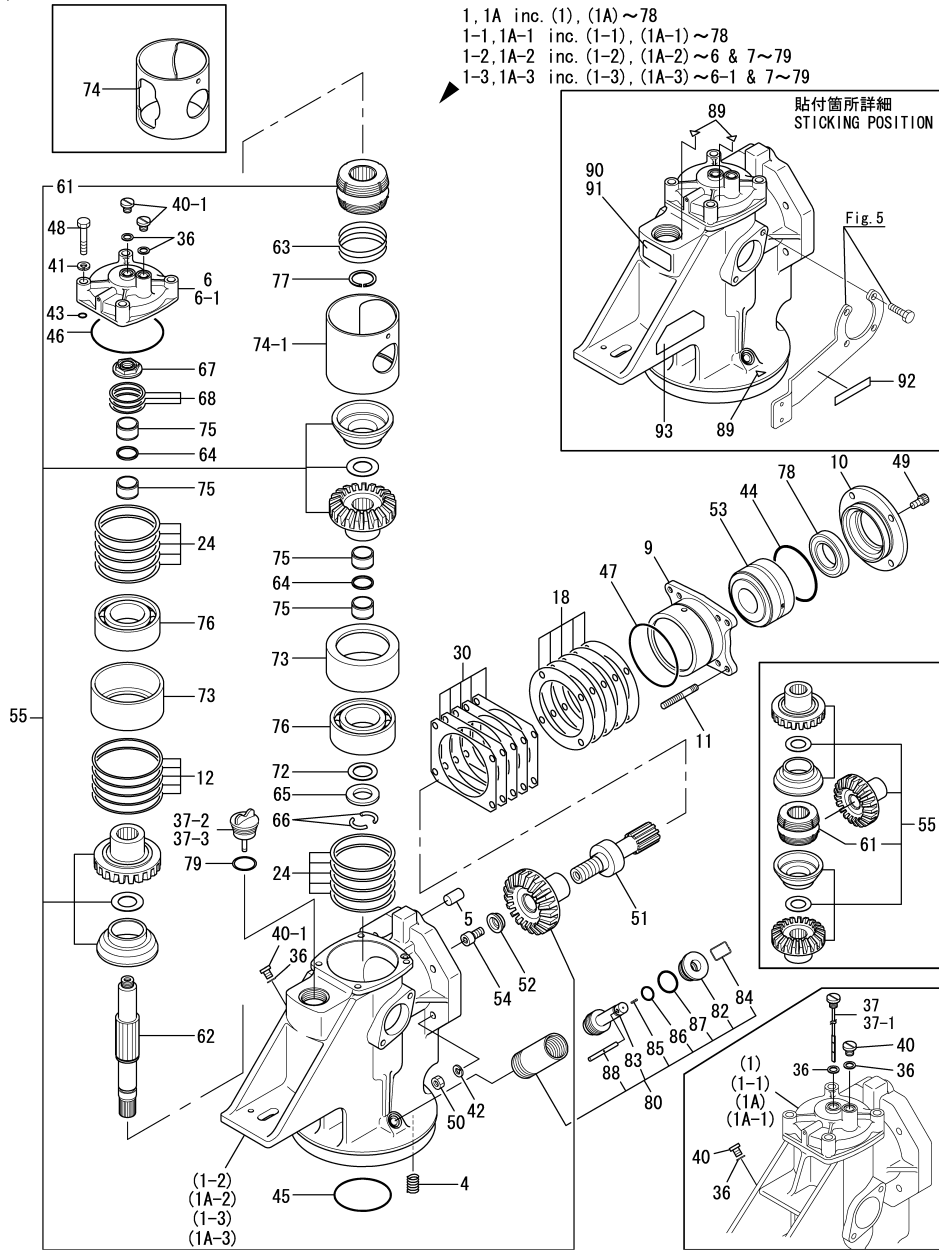
(D)=SD50-4T
 (E)=
 (F)=

No.	Lev.	Parts No.	Description	Qty						I	R
				(A)	(B)	(C)	(D)	(E)	(F)		
54	2	196322-04940	BOLT	1	1	1	1				
54-1	2	196322-04941	BOLT, M10X20	1	1	1	1				R
		(A=DXXXXXX) (B=DXXXXXX) (C=DXXXXXX) (D=DXXXXXX)									
55	2	196322-04152	GEAR SET, UPPER	1	1	1	1				
61	3	196326-04250	CONE, DRIVE	1	1	1	1				
61-1	3	196326-04251	CONE, DRIVE	1	1	1	1				N
		(A=DXXXXXX) (B=DXXXXXX) (C=DXXXXXX) (D=DXXXXXX)									
62	2	196322-04301	SHAFT, CLUTCH	1	1	1	1				
63	2	196322-04321	SPRING	1	1	1	1				
63-1	2	196322-04322	SPRING	1	1	1	1				R
		(A=DXXXXXX) (B=DXXXXXX) (C=DXXXXXX) (D=DXXXXXX)									
64	2	196322-04340	COLLAR	2	2	2	2				
65	2	196322-04361	WASHER, THRUST	1	1	1	1				
66	2	196322-04370	CIRCLIP	2	2	2	2				
67	2	196324-04380	NUT, M16X1.5	1	1	1	1				
68	2	196320-04400	COLLAR SET	1	1	1	1				
72	2	196320-04410	COLLAR, THRUST 1.5	1	1	1	1				
73	2	196324-04480	SLEEVE, BEARING	2	2	2	2				
74	2	196324-04490	SPACER, BEARING	1	1						
74-1	2	196440-04490	SPACER, BEARING	1	1	1	1				N
		(A=*2003.07) (B=D/#T5228)									
75	2	196322-04731	BEARING, K242817	4	4	4	4				
76	2	196322-04760	BEARING, 3209C3	2	2	2	2				
77	2	22292-000300	RING, S-30	1	1	1	1				
78	2	24413-456209	SEAL, OIL SC456209	1	1	1	1				W
		(A=FROM 1ST)									
78-1	2	196450-02260	SEAL, SC456209	1	1	1	1				N
		(A=DXXXXXX) (B=DXXXXXX) (C=DXXXXXX) (D=DXXXXXX)									
79	2	24311-000320	O-RING, 1AP32.0	1	1	1	1				W
		(A=*2004.02) (B=*2004.02)									
80	1	196431-02390	COCK	1	1	1	1				
80-1	1	196450-02390	COCK ASSY, WATER 25			1	1				N
		(C=XXXXXXXXXX) (D=XXXXXXXXXX)									
82	2	196431-02950	GUIDE, VALVE	1	1	1	1				
83	2	196431-02960	BAR, VALVE	1	1	1	1				
84	2	196420-02981	SPRING	1	1	1	1				
85	2	22351-020010	PIN, SPRING 2.0X10	1	1	1	1				
86	2	24311-000150	O-RING, 1AP15.0	1	1	1	1				
87	2	24321-000250	O-RING, 1AG25.0	1	1	1	1				
88	2	196420-02580	HANDLE, BAR	1	1	1	1				
89	1	196440-02750	LABEL, OIL	3	3	3	3				W
		(A=*1999.12)									
90	1	196440-02760	LABEL, CAUTION	2	2	2	2				W
		(A=*1999.12)									
90-1	1	196440-02761	LABEL	2	2	2	2				R
		(A=DXXXXXX) (B=DXXXXXX) (C=DXXXXXX) (D=DXXXXXX)									
91	1	196440-02770	LABEL, OIL LEVEL	1							W
		(A=*1999.12)									
91-1	1	196440-02771	LABEL, OIL LEVEL	1		1					S
		(A=*2004.04)									
91-2	1	196440-02772	LABEL, OIL LEVEL	1		1					N

Fig.2. UPPER GEAR HOUSING

(A)=SD40
(B)=SD40-4T
(C)=SD50

(D)=SD50-4T
(E)=
(F)=



No.	Lev.	Parts No.	Description	Q'ty						I	R
				(A)	(B)	(C)	(D)	(E)	(F)		
91-3	1	196440-02782	LABEL, CAUTION (C=DXXXXX) (C=DXXXXX)			1					S
91A	1	196440-02780	LABEL, CAUTION		1						S
91A-1	1	196440-02781	LABEL, CAUTION (B=*2004.04)		1		1				S
91A-2	1	196440-02782	LABEL, CAUTION (B=DXXXXX)		1		1				N
92	1	177073-02431	LABEL, DIRECTION (D=DXXXXX)	1	1	1	1				W
92-1	1	196420-02380	LABEL, DIRECTION (A=DXXXXX) (B=DXXXXX) (C=DXXXXX) (D=DXXXXX)	1	1	1	1				R
93	1	196440-02060	LABEL, NAME	1	1						W
93A	1	196450-02060	LABEL, NAME (A=*1999.12)			1	1				

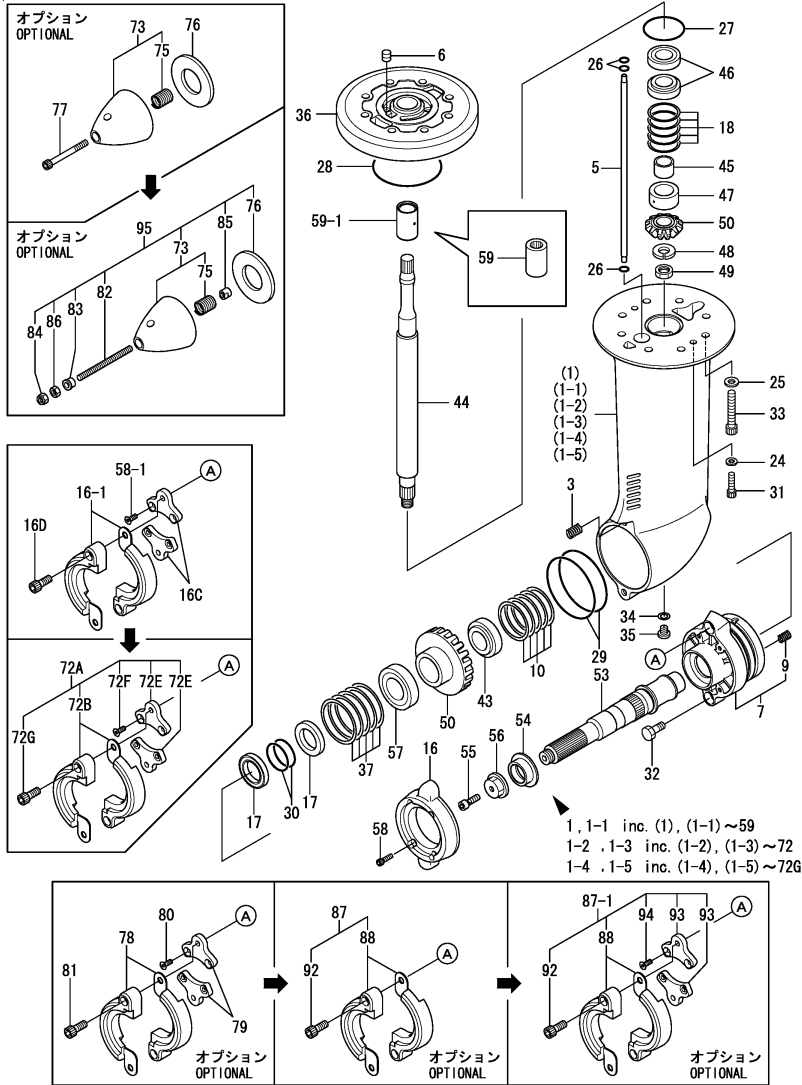
Remarks

(1)Interchangeable by simultaneous replacement with Fig.3 No.1-2, or No.36-1.
This design change is not applied to drive No.0109-04 and T109-04.

Fig.3. LOWER GEAR HOUSING

(A)=SD40
(B)=SD40-4T
(C)=SD50

(D)=SD50-4T
(E)=
(F)=



No.	Lev.	Parts No.	Description	Q'ty						I	R
				(A)	(B)	(C)	(D)	(E)	(F)		
1	1	796440-02910	HOUSING ASSY, LOWER	1							
1-1	1	796440-02911	HOUSING ASSY, LOWER	1	1						N
(A=*2001.01.)											
1-2	1	796440-02912	HOUSING ASSY, LOWER	1	1						S 1
(A=D#0022-04) (B=D#T022-04)											
1-3	1	796440-02913	HOUSING ASSY, GEAR	1	1	1	1				N
(A=*2004.02.) (B=*2004.02.)											
1-4	1	796440-02914	HOUSING ASSY, GEAR	1	1	1	1				N
(A=*2009.02.) (B=*2009.02.) (C=*2009.02.) (D=*2009.02.)											
1-5	1	796440-02915	HOUSING ASSY, GEAR			1	1				R
(C=*2009.08.) (D=*2009.08.)											
3	3	196420-02050	INSERT, LOCK 10X1.5	2	2	2	2				
5	2	196440-02540	PIPE, OIL OUTLET	1	1	1	1				
6	2	196440-02550	PLUG, RUBBER	1	1	1	1				
7	2	196440-02600	COVER ASSY, REAR	1	1	1	1				
9	3	196420-02620	INSERT, LOCK 6X1.5	4	4	4	4				
10	2	196320-02650	SHIM SET, 52/62	1	1	1	1				
16	2	196420-02652	ZINC, ANTI-CORROSIVE	1	1	1	1				
16-1	2	196450-02500	ANODE, SEPARATE AL	2	2	2	2				S 4
(A=*2009.02.) (B=*2009.02.) (C=*2009.02.) (D=*2009.02.)											
16-2	2	196450-02500	ANODE, SEPARATE AL	2	2	2	2				Z
(A=*2010.06.) (B=*2010.06.) (C=*2010.06.) (D=*2010.06.)											
16C	2	196440-02690	PLATE, SEPARATE ANODE	2	2	2	2				W 4
(A=*2009.02.) (B=*2009.02.) (C=*2009.02.) (D=*2009.02.)											
16C-1	2	196440-02690	PLATE, SEPARATE ANODE	2	2	2	2				Z
(A=*2010.06.) (B=*2010.06.) (C=*2010.06.) (D=*2010.06.)											
16D	2	26453-080202	BOLT, M8X 20	2	2	2	2				W 4
(A=*2009.02.) (B=*2009.02.) (C=*2009.02.) (D=*2009.02.)											
16D-1	2	26453-080202	BOLT, M8X 20	2	2	2	2				Z
(A=*2010.06.) (B=*2010.06.) (C=*2010.06.) (D=*2010.06.)											
17	2	196440-02870	SEAL, OIL D52/34XW8	2	2	2	2				
17-1	2	196440-02871	SEAL, OIL	2	2	2	2				N
(A=*2011.01.) (B=*2011.01.) (C=*2011.01.) (D=*2011.01.)											
18	2	196313-04400	SHIM SET, 47	1	1	1	1				
24	2	22113-080000	WASHER, 8	2	2	2	2				
25	2	22113-100000	WASHER, 10	8	8	8	8				
26	2	24311-000070	O-RING, 1AP7.0	3	3	3	3				
27	2	24321-000300	O-RING, 1AG30.0	1	1	1	1				
28	2	24321-000500	O-RING, 1AG50.0	1	1						
28-1	2	24321-000550	O-RING, 1AG55.0	1	1	1	1				S
(A=*2004.02.) (B=*2004.02.)											
29	2	24321-000950	O-RING, 1AG95.0	2	2	2	2				
30	2	24372-000460	RING, BACK UP T2P46	2	2	2	2				
31	2	26453-080302	BOLT, M8X 30	2	2	2	2				
32	2	26453-100252	BOLT, M10X 25	2	2	2	2				
33	2	26453-100602	BOLT, M10X 60	8	8	8	8				
34	2	189010-01130	GASKET	1	1	1	1				
35	2	196326-02420	PLUG	1	1	1	1				
36	2	196440-02240	PLATE	1	1						
36-1	2	196440-02241	PLATE	1	1						S 1
(A=D#0022-04) (B=D#T022-04)											

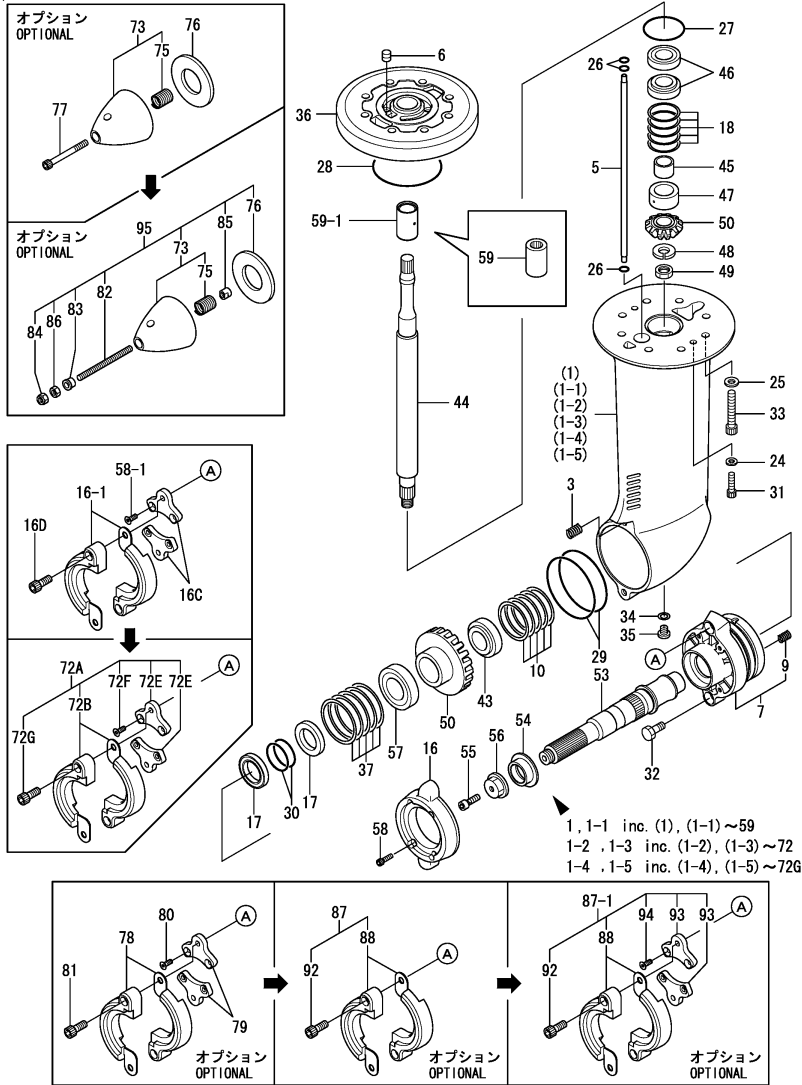
Remarks

- (1) Interchangeable by simultaneous replacement with Fig.2 No.1-1(or 1A-1). This design change is not applied to drive No.0109-04 and T109-04.
 - (2) Interchangeable by simultaneous replacement with Fig.2 No.1-1(or 1A-1) & Fig.3 No.36-1. This design change is not applied to drive No.0109-04 and T109-04.
 - (3) Interchangeable by simultaneous replacement with No.44-3 & 50-2.
 - (4) Interchangeable by simultaneous replacement with No.16-1, 16C, 16D & 58-1.
 - (5) Assembly code was added.
- Include No.73, 76, 82 to 86.

Fig.3. LOWER GEAR HOUSING

(A)=SD40
(B)=SD40-4T
(C)=SD50

(D)=SD50-4T
(E)=
(F)=

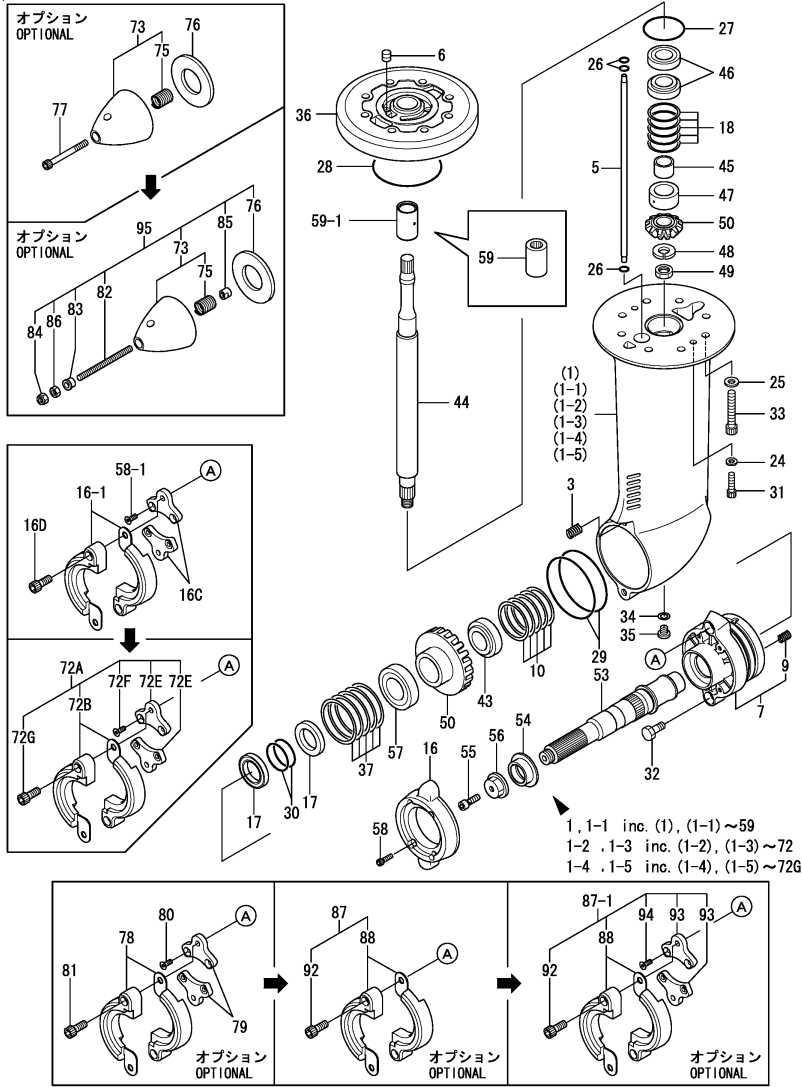


No.	Lev.	Parts No.	Description	Q'ty						I	R
				(A)	(B)	(C)	(D)	(E)	(F)		
36-2	2	196440-02242	PLATE	1	1	1	1				S
		(A=*2004.02.) (B=*2004.02.)									
37	2	196311-02310	SHIM SET, 72/62	1	1	1	1				
43	2	24141-322060	BEARING, 32206	1	1	1	1				
44	2	196440-04450	SHAFT, DRIVE	1							
44-1	2	196440-04451	SHAFT, DRIVE	1	1						S
		(A=*2001.01.)									
44-2	2	196440-04452	SHAFT, DRIVE	1	1						R
		(A=*2002.06.) (B=D/#T5116)									
44-3	2	196440-04453	SHAFT, DRIVE	1	1	1	1				S 3
		(A=*2004.02.) (B=*2004.02.)									
45	2	196440-04770	RING, INNER 22X28X20	1							
45-1	2	24163-228230	RING, INNER 228230	1	1	1	1				S
		(A=*2001.01.)									
46	2	196440-04780	BEARING, 32005X	2	2	2	2				
47	2	196440-04790	BEARING, NEEDLE	1							
47-1	2	196440-04760	BEARING, NK28X42X23	1	1	1	1				S
		(A=*2001.01.)									
48	2	196324-04910	WASHER	1	1	1	1				
49	2	26996-140002	NUT, LOCK M14	1	1	1	1				
50	2	196440-04800	GEAR, 13/29SET	1							
50-1	2	196440-04801	GEAR SET, 13/29	1	1						N
		(A=*2001.01.)									
50-2	2	196440-04802	GEAR SET, 13/29	1	1	1	1				S 3
		(A=*2004.02.) (B=*2004.02.)									
50-3	2	196450-04900	GEAR SET, 13/29			1	1				R
		(C=*2009.08.) (D=*2009.08.)									
53	2	196440-04510	SHAFT, PROPELLER	1							
53-1	2	196440-04511	SHAFT, PROPELLER	1	1						N
		(A=*2000.09.)									
53-2	2	196440-04512	SHAFT, PROPELLER	1	1						N
		(A=*2001.12.) (B=D/#T5006)									
53-3	2	196440-04513	SHAFT, PROPELLER	1	1	1	1				R
		(A=*2002.06.) (B=D/#T5116)									
54	2	196324-09250	SPACER, PROPELLER	1	1	1	1				
55	2	196420-09260	BOLT, M8X25	1	1	1	1				
55-1	2	196420-09261	BOLT, M8X25	1	1	1	1				R
		(A=*2010.06.) (B=*2010.06.) (C=*2010.06.) (D=*2010.06.)									
56	2	196440-09300	NUT, PROPELLER	1	1	1	1				
57	2	24141-302070	BEARING, 30207	1	1	1	1				
58	2	26453-060202	BOLT, M6X 20	4	4	4	4				
58-1	2	196440-02700	BOLT, M6X16	4	4	4	4				S 4
		(A=*2009.02.) (B=*2009.02.) (C=*2009.02.) (D=*2009.02.)									
58-2	2	196440-02700	BOLT, M6X16	4	4	4	4				Z
		(A=*2010.06.) (B=*2010.06.) (C=*2010.06.) (D=*2010.06.)									
59	2	196324-04450	SLEEVE, SPLINE	1	1						
59-1	2	196440-04540	LIMITER ASSY, TORQUE	1	1	1	1				S 2
		(A=D#0022-04) (B=D#T022-04)									
72A	2	196450-02490	ANODE KIT, AL	1	1	1	1				W
		(A=*2010.06.) (B=*2010.06.) (C=*2010.06.) (D=*2010.06.)									
72A-1	2	196450-02491	ANODE KIT, AL	1	1	1	1				N

Remarks

- (1) Interchangeable by simultaneous replacement with Fig.2 No.1-1(or 1A-1). This design change is not applied to drive No.0109-04 and T109-04.
 - (2) Interchangeable by simultaneous replacement with Fig.2 No.1-1(or 1A-1) & Fig.3 No.36-1. This design change is not applied to drive No.0109-04 and T109-04.
 - (3) Interchangeable by simultaneous replacement with No.44-3 & 50-2.
 - (4) Interchangeable by simultaneous replacement with No.16-1, 16C, 16D & 58-1.
 - (5) Assembly code was added.
- Include No.73, 76, 82 to 86.

Fig.3. LOWER GEAR HOUSING



(A)=SD40
(B)=SD40-4T
(C)=SD50

(D)=SD50-4T
(E)=
(F)=

No.	Lev.	Parts No.	Description	Qty						I	R
				(A)	(B)	(C)	(D)	(E)	(F)		
72B	3	196450-02500	ANODE, SEPARATE AL	2	2	2	2			W	
72E	3	196440-02690	PLATE, SEPARATE ANODE	2	2	2	2			W	
72F	3	196440-02700	BOLT, M6X16	4	4	4	4			W	
72F-1	3	196440-02701	BOLT, M6X18	4	4	4	4			R	
72G	3	26453-080202	BOLT, M8X 20	2	2	2	2			W	
72G-1	3	26453-080162	BOLT, M8X 16	2	2	2	2			N	
73	1	196440-09200	NUT ASSY, PROPELLER	1	1	1	1			W	
75	2	196440-09220	INSERT, 20X2.0X1.0D	1	1	1	1			W	
76	1	196420-09220	WASHER, PROPELLER	1	1	1	1			W	
77	1	26453-080752	BOLT, M8X 75	1	1					W	
77-1	1	196440-09260	BOLT, M8X75	1	1					N	
77-2	1	196440-09260	BOLT, M8X75	1	1					Z	
78	1	196440-02660	ZINC, ANTI-CORROSIVE	2	2	2	2			W	
78-1	1	196440-02660	ZINC, ANTI-CORROSIVE	2	2	2	2			Z	
79	1	196440-02690	PLATE, SEPARATE ANODE	2	2	2	2			W	
79-1	1	196440-02690	PLATE, SEPARATE ANODE	2	2	2	2			Z	
80	1	196440-02700	BOLT, M6X16	4	4	4	4			W	
80-1	1	196440-02700	BOLT, M6X16	4	4	4	4			Z	
81	1	26453-080202	BOLT, M8X 20	2	2	2	2			W	
81-1	1	26453-080202	BOLT, M8X 20	2	2	2	2			Z	
82	1	196440-09150	BOLT, M8X105	1	1	1	1			W	
83	1	196440-09160	SPACER	1	1	1	1			W	
84	1	196440-09170	NUT, NYLON	1	1	1	1			W	
85	1	196440-09180	NUT, M8	1	1	1	1			W	
86	1	26793-080002	NUT, LOCK M8	1	1	1	1			W	

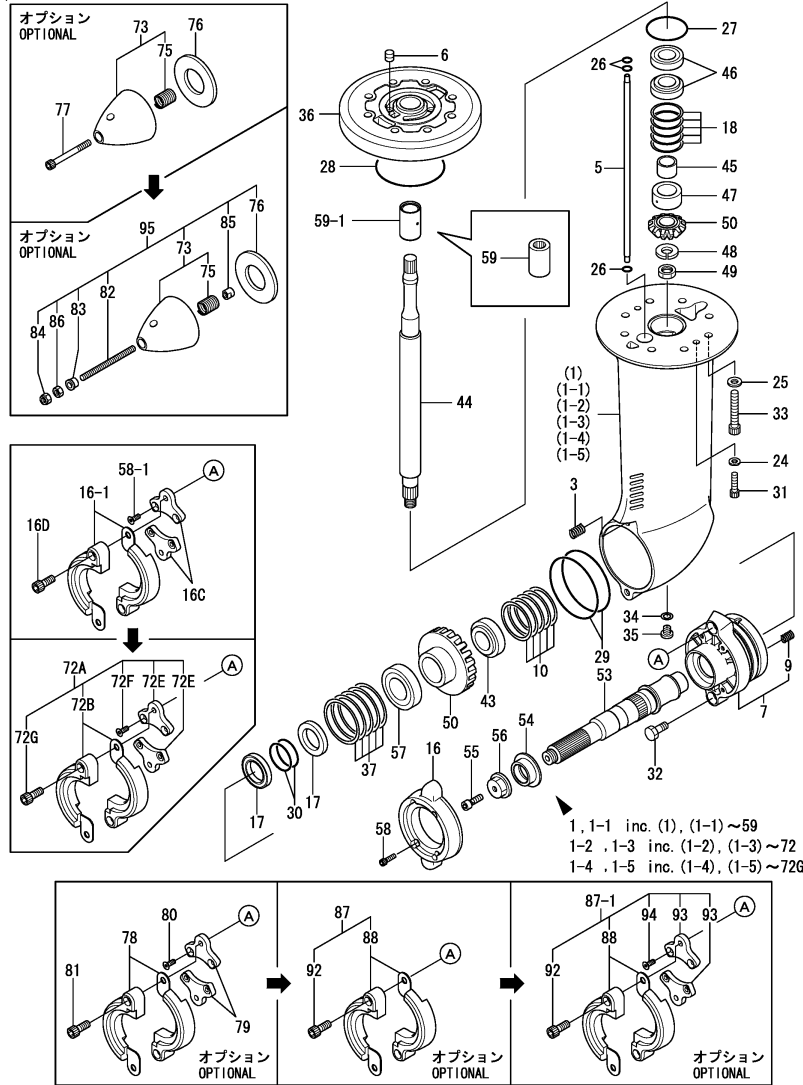
Remarks

- (1) Interchangeable by simultaneous replacement with Fig.2 No.1-1(or 1A-1). This design change is not applied to drive No.0109-04 and T109-04.
 - (2) Interchangeable by simultaneous replacement with Fig.2 No.1-1(or 1A-1) & Fig.3 No.36-1.
 - (3) Interchangeable by simultaneous replacement with No.44-3 & 50-2.
 - (4) Interchangeable by simultaneous replacement with No.16-1, 16C, 16D & 58-1.
 - (5) Assembly code was added.
- Include No.73, 76, 82 to 86.

Fig.3. LOWER GEAR HOUSING

(A)=SD40
(B)=SD40-4T
(C)=SD50

(D)=SD50-4T
(E)=
(F)=



No.	Lev.	Parts No.	Description	Qty						I	R
				(A)	(B)	(C)	(D)	(E)	(F)		
87	1	196450-02440	ANODE KIT, MG	1	1	1	1			W	
		(A=*2009.02.) (B=*2009.02.) (C=*2009.02.) (D=*2009.02.)									
87-1	1	196450-02441	ANODE KIT, MG	1	1	1	1			N	
		(A=*2010.06.) (B=*2010.06.) (C=*2010.06.) (D=*2010.06.)									
87-2	1	196450-02442	ANODE KIT, MG	1	1	1	1			N	
		(A=*2013.04.) (B=*2013.04.) (C=*2013.04.) (D=*2013.04.)									
88	2	196450-02600	ANODE, SEPARATE MG	2	2	2	2			W	
		(A=*2009.02.) (B=*2009.02.) (C=*2009.02.) (D=*2009.02.)									
92	2	26453-080202	BOLT, M8X 20	2	2	2	2			W	
		(A=*2009.02.) (B=*2009.02.) (C=*2009.02.) (D=*2009.02.)									
92-1	2	26453-080162	BOLT, M8X 16	2	2	2	2			N	
		(A=*2013.04.) (B=*2013.04.) (C=*2013.04.) (D=*2013.04.)									
93	2	196440-02690	PLATE, SEPARATE ANODE	2	2	2	2			W	
		(A=*2010.06.) (B=*2010.06.) (C=*2010.06.) (D=*2010.06.)									
94	2	196440-02700	BOLT, M6X16	4	4	4	4			W	
		(A=*2010.06.) (B=*2010.06.) (C=*2010.06.) (D=*2010.06.)									
94-1	2	196440-02701	BOLT, M6X18	4	4	4	4			R	
		(A=*2013.04.) (B=*2013.04.) (C=*2013.04.) (D=*2013.04.)									
95	1	796450-09200	NUT ASSY, PROPELLER	1	1	1	1			W 5	
		(A=*2005.06.) (B=*2005.06.) (C=*2005.06.) (D=*2005.06.)									

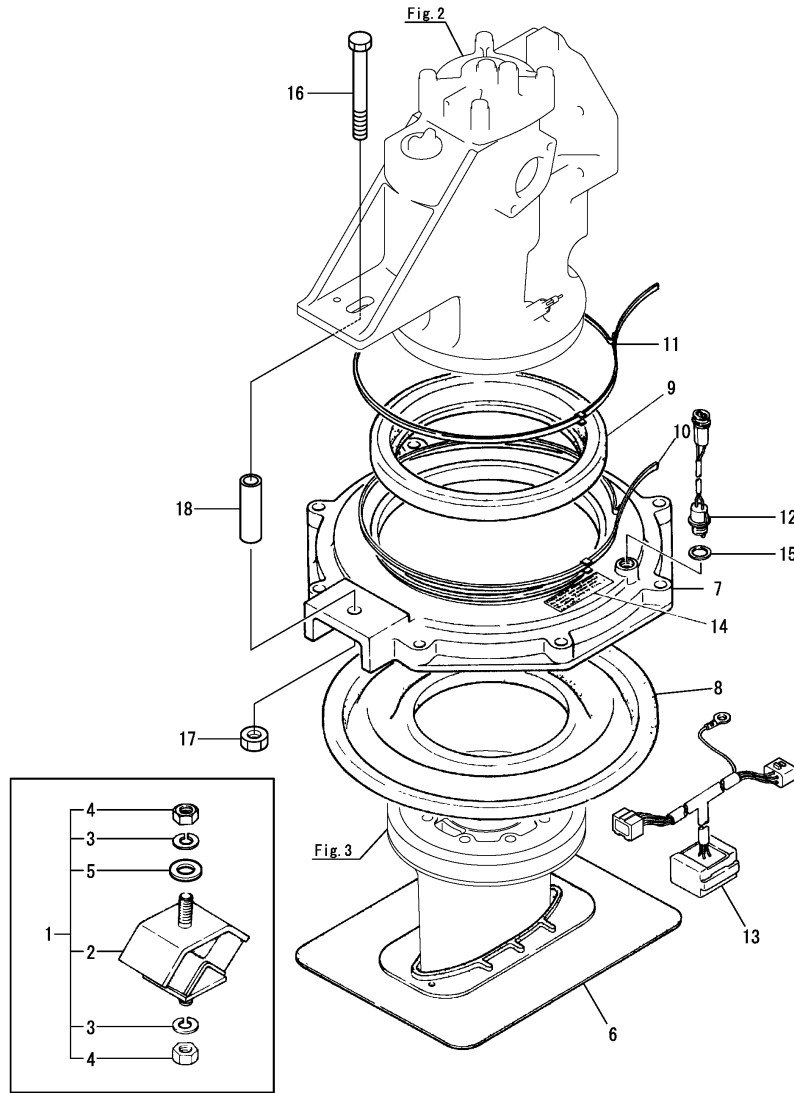
Remarks

- (1) Interchangeable by simultaneous replacement with Fig.2 No.1-1(or 1A-1). This design change is not applied to drive No.0109-04 and T109-04.
 - (2) Interchangeable by simultaneous replacement with Fig.2 No.1-1(or 1A-1) & Fig.3 No.36-1. This design change is not applied to drive No.0109-04 and T109-04.
 - (3) Interchangeable by simultaneous replacement with No.44-3 & 50-2.
 - (4) Interchangeable by simultaneous replacement with No.16-1, 16C, 16D & 58-1.
 - (5) Assembly code was added.
- Include No.73, 76, 82 to 86.

Fig.4. RUBBER MOUNT & SEAL FLANGE

(A)=SD40
(B)=SD40-4T
(C)=SD50

(D)=SD50-4T
(E)=
(F)=



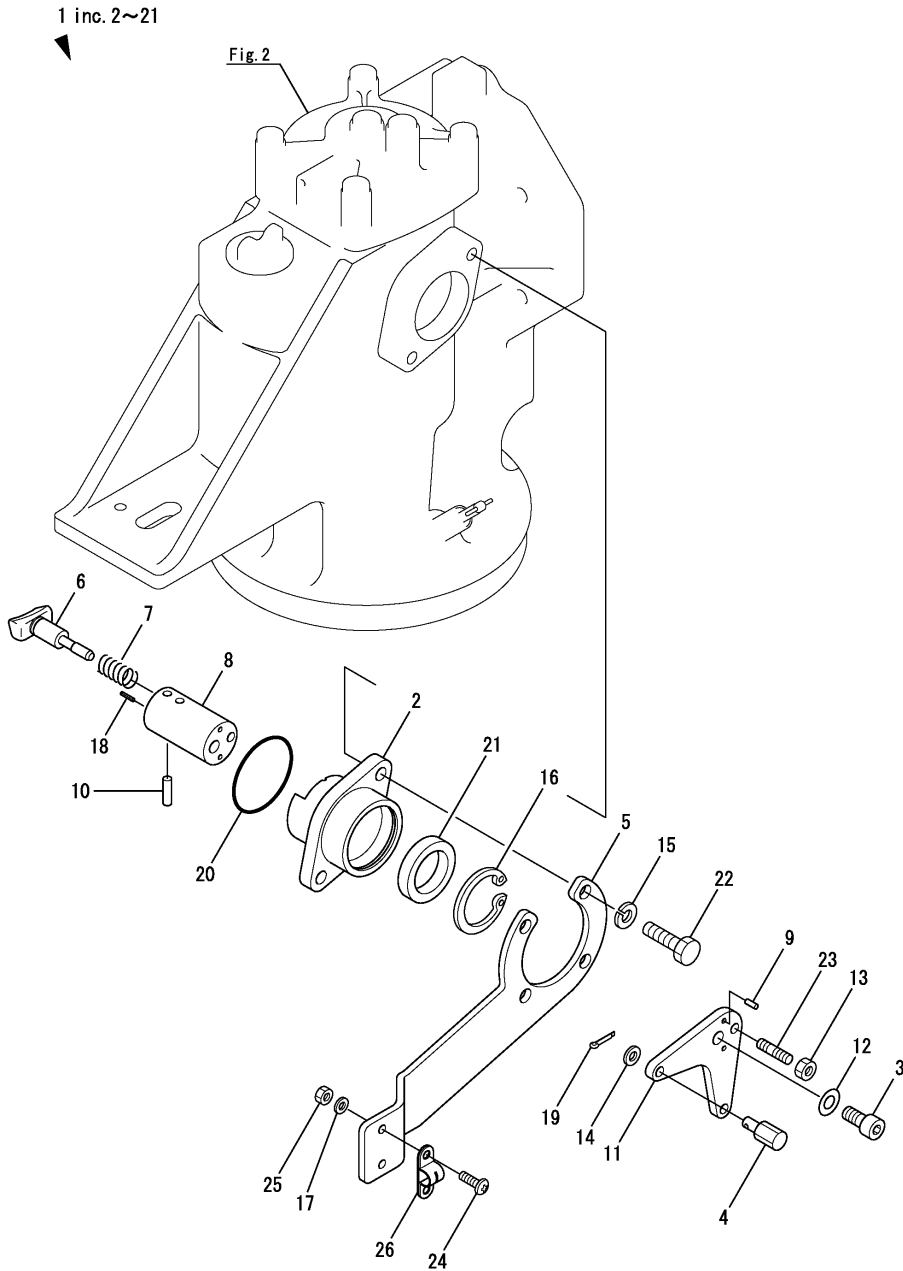
No.	Lev.	Parts No.	Description	Qty						I	R
				(A)	(B)	(C)	(D)	(E)	(F)		
1	1	796420-08630	ABSORBER ASSY, SHOCK	1		1					1
1A	1	796440-08630	ABSORBER ASSY, SHOCK	1	1	1	1				2
2	2	196420-02310	ABSORBER, SHOCK 230	1		1					1
2A	2	196440-02380	ABSORBER, SHOCK 430	1	1	1	1				2
3	2	22217-120000	WASHER, SPRING 12	2	2	2	2				
4	2	26716-120002	NUT, M12	2	2	2	2				
5	2	196440-02390	WASHER	1	1	1	1				W
		(A=*2004.03) (B=*2004.03)									
6	1	196420-02550	RUBBER	1	1						
6-1	1	196420-02551	PROTECTION	1	1	1	1				N
		(A=*2001.10) (B=D/#T5006)									
7	1	196420-02701	FLANGE, SEAL	1	1	1	1				
8	1	196420-02710	DIAPHRAGM	1	1	1	1				
9	1	196420-02720	DIAPHRAGM	1	1	1	1				
10	1	196420-02730	BAND, 199	1	1	1	1				
11	1	196420-02740	BAND, 236	1	1	1	1				
12	1	196420-02801	SENSOR, SEAL	1	1	1	1				
13	1	196420-02812	AMP, SENSOR	1	1	1	1				
14	1	196420-02820	LABEL	1	1	1	1				
14-1	1	196420-02821	LABEL	1	1	1	1				R
		(A=DXXXXX) (B=DXXXXX) (C=DXXXXX) (D=DXXXXX)									
15	1	23418-140000	GASKET, 14X1.0	1	1	1	1				
16	1	196420-02080	BOLT, SPACER	1	1	1	1				W
		(A=DXXXXX) (B=DXXXXX) (C=DXXXXX) (D=DXXXXX)									
17	1	196420-02090	NUT	1	1	1	1				W
		(A=DXXXXX) (B=DXXXXX) (C=DXXXXX) (D=DXXXXX)									
18	1	196420-02340	SPACER	1	1	1	1				W
		(A=DXXXXX) (B=DXXXXX) (C=DXXXXX) (D=DXXXXX)									

Remarks
(1)For 3JH3CE,3JH4CE
(2)For 4JH3CE,4JH4CE,4JH3-TCE

Fig.5. SHIFT LEVER

(A)=SD40
(B)=SD40-4T
(C)=SD50

(D)=SD50-4T
(E)=
(F)=



No.	Lev.	Parts No.	Description	Q'ty						I	R
				(A)	(B)	(C)	(D)	(E)	(F)		
1	1	796440-06260	LEVER ASSY, SHIFT	1							
1-1	1	796440-06261	LEVER ASSY, SHIFT	1	1	1	1				S
(A=*2001.01)											
2	2	196440-06050	SUPPORT, LEVER	1	1	1	1				
3	2	196440-06070	BOLT, LEVER	1	1	1	1				
4	2	177073-06200	PIVOT	1							
4-1	2	177073-06210	PIVOT	1	1	1	1				S
(A=*2001.01)											
5	2	196440-06290	BRACKET, CABLE	1	1	1	1				
6	2	177088-06390	SHIFTER	1	1	1	1				
7	2	196322-06581	SPRING	1	1	1	1				
7-1	2	196322-06582	SPRING	1	1	1	1				R
(A=DXXXXX) (B=DXXXXX) (C=DXXXXX) (D=DXXXXX)											
8	2	196324-06590	SHAFT, LEVER	1	1	1	1				
9	2	196320-06610	PIN, 3X8	2	2	2	2				
10	2	196322-06610	PIN, PARALLEL 5X18	1	1						
10-1	2	196322-06611	PIN, 5X18	1	1	1	1				N
(A=*2002.01) (B=D/#T5036)											
11	2	196440-06610	PLATE, LEVER	1	1	1	1				
12	2	196322-06630	SHIM, 8/17	5	5	5	5				
13	2	196324-06900	NUT, NYLON M6	1	1	1	1				
14	2	22137-060000	WASHER, 6	1	1	1	1				
15	2	22217-080000	WASHER, SPRING 8	2	2	2	2				
16	2	22252-000420	RING, 42	1	1	1	1				
17	2	22287-050000	WASHER, 5	2	2	2	2				
18	2	22351-020010	PIN, SPRING 2.0X10	1	1	1	1				
19	2	22417-250200	PIN, COTTER 2.5X20	1							
19-1	2	196315-06290	PIN, COTTER 2.5X15	1							N
(A=*2000.02)											
19-2	2	22413-250163	PIN, COTTER 2.5X16	1	1	1	1				N
(A=*2001.04)											
19-3	2	22413-250160	PIN, COTTER 2.5X16	1	1	1	1				R
(A=DXXXXX) (B=DXXXXX) (C=DXXXXX) (D=DXXXXX)											
20	2	24321-000400	O-RING, 1AG40.0	1	1	1	1				
21	2	24421-284008	SEAL, OIL TC284008	1	1	1	1				
22	1	26206-080302	BOLT, M8X 30 PLATED	2	2	2	2				
23	1	26216-060142	STUD, M6X 14	1	1	1	1				
24	1	26557-050162	SCREW, M5X16	2	2	2	2				
25	1	26716-050002	NUT, M5	2	2	2	2				
26	1	41710-000410	CLAMP	1	1	1	1				

Fig.6. LUB. OIL WASTE PUMP

(A)=SD40
(B)=SD40-4T
(C)=SD50

(D)=SD50-4T
(E)=
(F)=

No.	Lev.	Parts No.	Description	Q'ty						I	R
				(A)	(B)	(C)	(D)	(E)	(F)		
1	1	196311-92960	JOINT	1	1	1	1			W	
		(A=*2001.02)									
2	1	196311-92970	HOSE, DRAIN 1.0	1	1					W	
		(A=*2001.02)									
2-1	1	196440-92970	HOSE, PUMP 1.0M	2	2	2	2			N	
		(A=*2002.01)	(B=D/#T5036)								
3	1	24311-000100	O-RING, 1AP10.0	1	1	1	1			W	
		(A=*2001.02)									
4	1	28210-000080	PUMP	1	1	1	1			W	
		(A=*2001.02)									

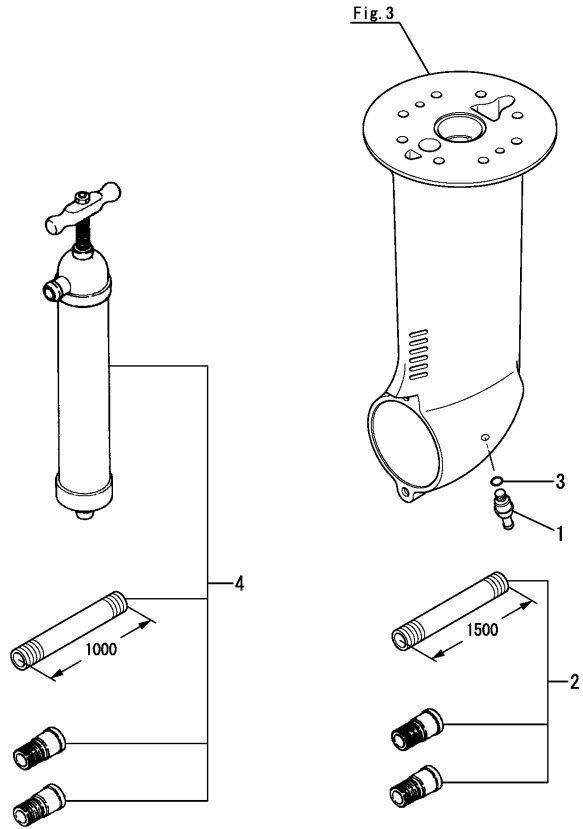


Fig.7. TOOL

(A)=SD40
(B)=SD40-4T
(C)=SD50

(D)=SD50-4T
(E)=
(F)=

No.	Lev.	Parts No.	Description	Qty						I	R
				(A)	(B)	(C)	(D)	(E)	(F)		
1	1	28150-060000 (A=FROM 1ST)	WRENCH, BAR 6	1	1	1	1				W
2	1	28150-080000 (A=FROM 1ST)	WRENCH, BAR 8	1	1	1	1				W
3	1	196420-92011 (A=FROM 1ST)	SHEET, MARK	1	1						W
3-1	1	196420-92012 (A=*2004.10) (B=*2004.10)	SHEET, MARK	1	1	1	1				N

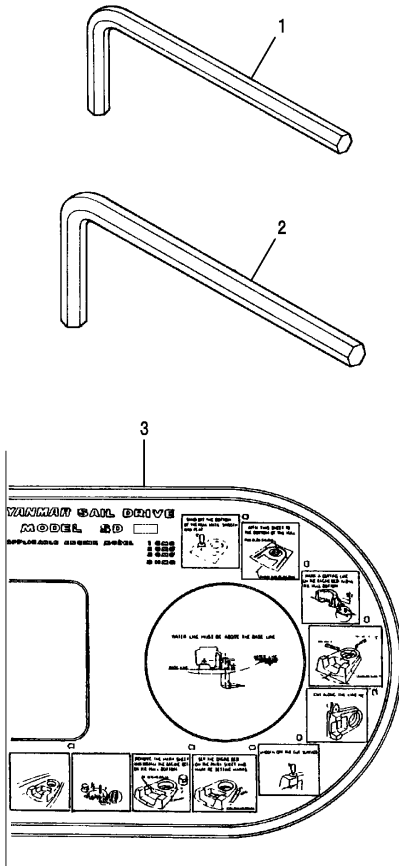
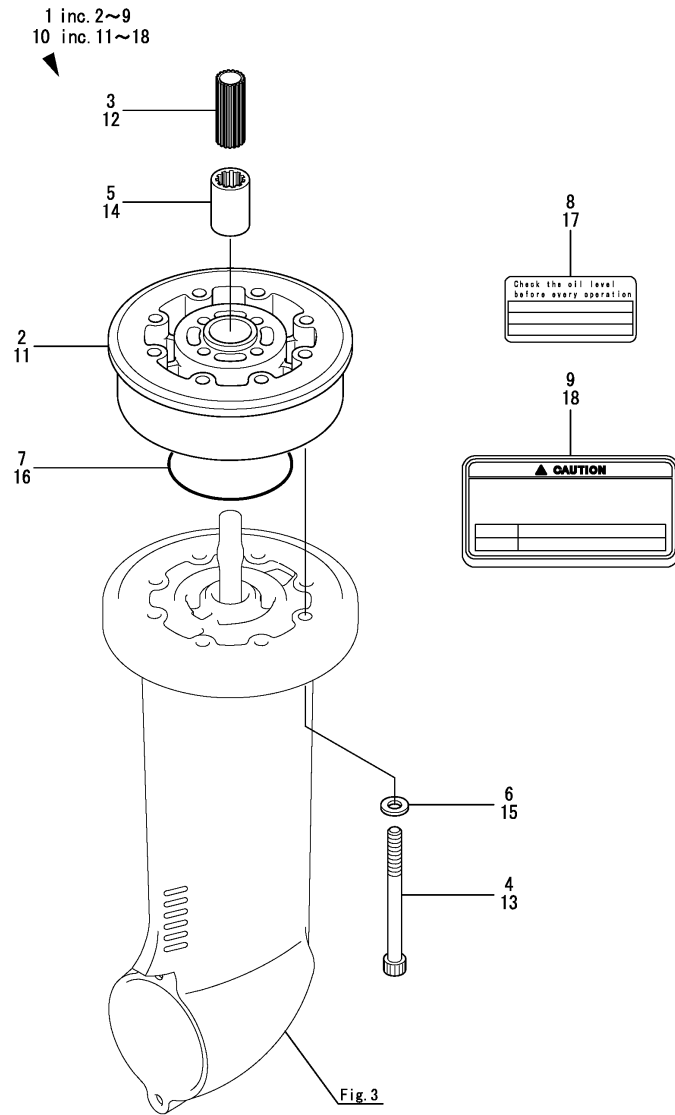


Fig.8. EXTENSION(OPTIONAL)

(A)=SD40
(B)=SD40-4T
(C)=SD50

(D)=SD50-4T
(E)=
(F)=



No.	Lev.	Parts No.	Description	Q'ty						I	R
				(A)	(B)	(C)	(D)	(E)	(F)		
1	1	796450-02450	EXTENSION ASSY, 58 (C=*2005.03) (D=*2005.03)	1	1					W	1
2	2	196440-02450	EXTENSION, 58			1	1				
3	2	196440-02470	SHAFT, EXTENSION 58			1	1				
4	2	196440-02480	BOLT, M10X115			8	8				
5	2	196324-04450	SLEEVE, SPLINE			1	1				
6	2	22113-100000	WASHER, 10			8	8				
7	2	24321-000800	O-RING, 1AG80.0			1	1				
8	2	196440-02791	LABEL,EXTENSION 58			1	1				
9	2	196440-02811	LABEL,EXTENSION 58			1	1				
10	1	796450-02460	EXTENSION ASSY, 100 (C=*2005.03) (D=*2005.03)	1	1					W	1
11	2	196440-02460	EXTENSION, 100			1	1				
12	2	196324-04560	SHAFT, EXTENSION 100			1	1				
13	2	196440-02490	BOLT, M10X160			8	8				
14	2	196324-04450	SLEEVE, SPLINE			1	1				
15	2	22113-100000	WASHER, 10			8	8				
16	2	24321-000800	O-RING, 1AG80.0			1	1				
17	2	196440-02801	LABEL,EXTENSION 100			1	1				
18	2	196440-02821	LABEL,EXT.100 SP.OIL			1	1				

Remarks
(1)Selection use parts.

Fig.9. SPECIAL TOOL(A)(OPTIONAL)

(A)=SD40
(B)=SD40-4T
(C)=SD50

(D)=SD50-4T
(E)=
(F)=

No.	Lev.	Parts No.	Description	Qty						I	R
				(A)	(B)	(C)	(D)	(E)	(F)		
1	1	196440-92010	SOCKET, SPLINE 29	1	1	1	1				
2	1	196440-92020	SOCKET, SPLINE 34	1	1	1	1				
3	1	196320-92120	SOCKET, SPLINE 21	1	1	1	1				

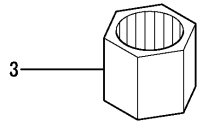
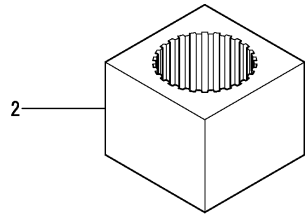
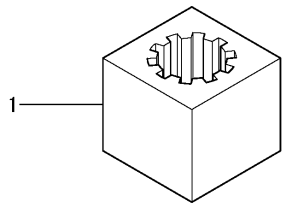
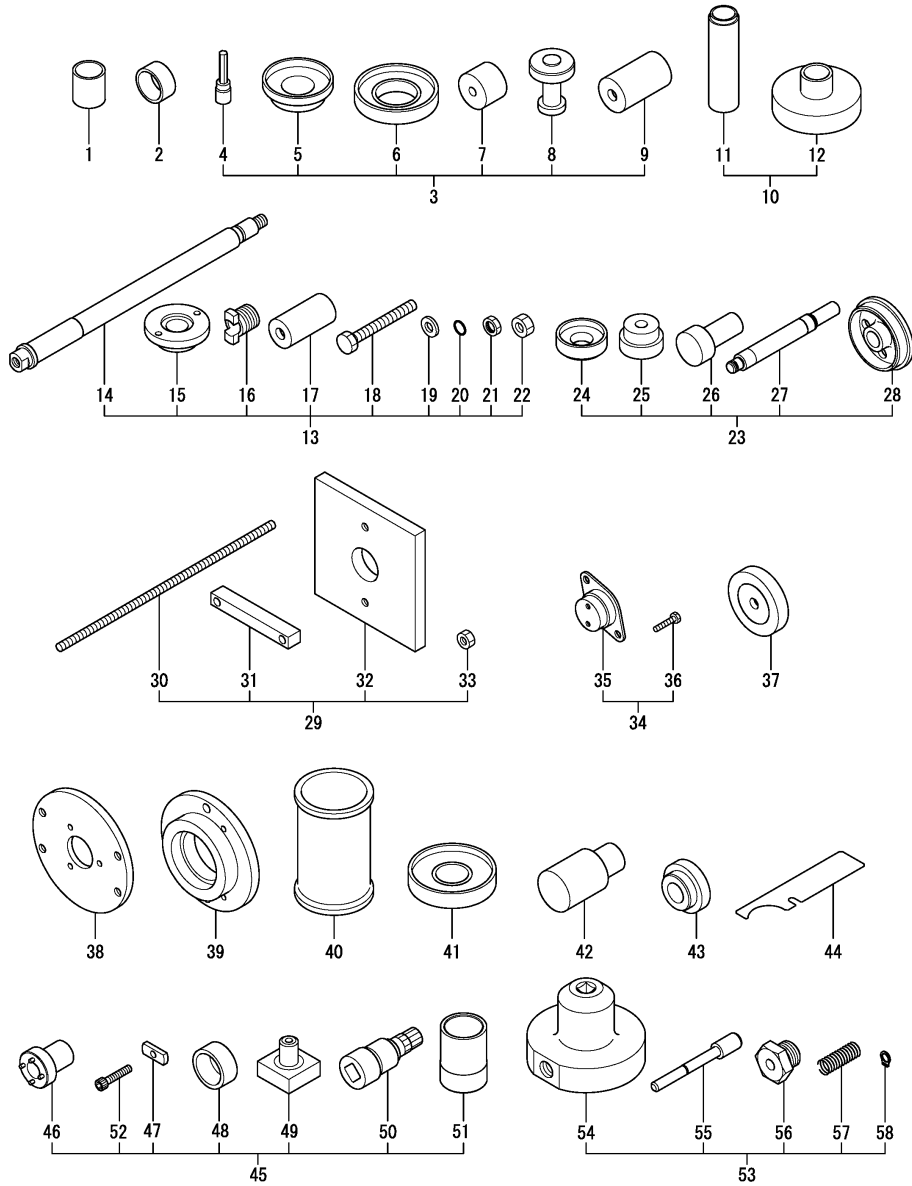


Fig.10. SPECIAL TOOL(B)(OPTIONAL)

(A)=SD40
(B)=SD40-4T
(C)=SD50

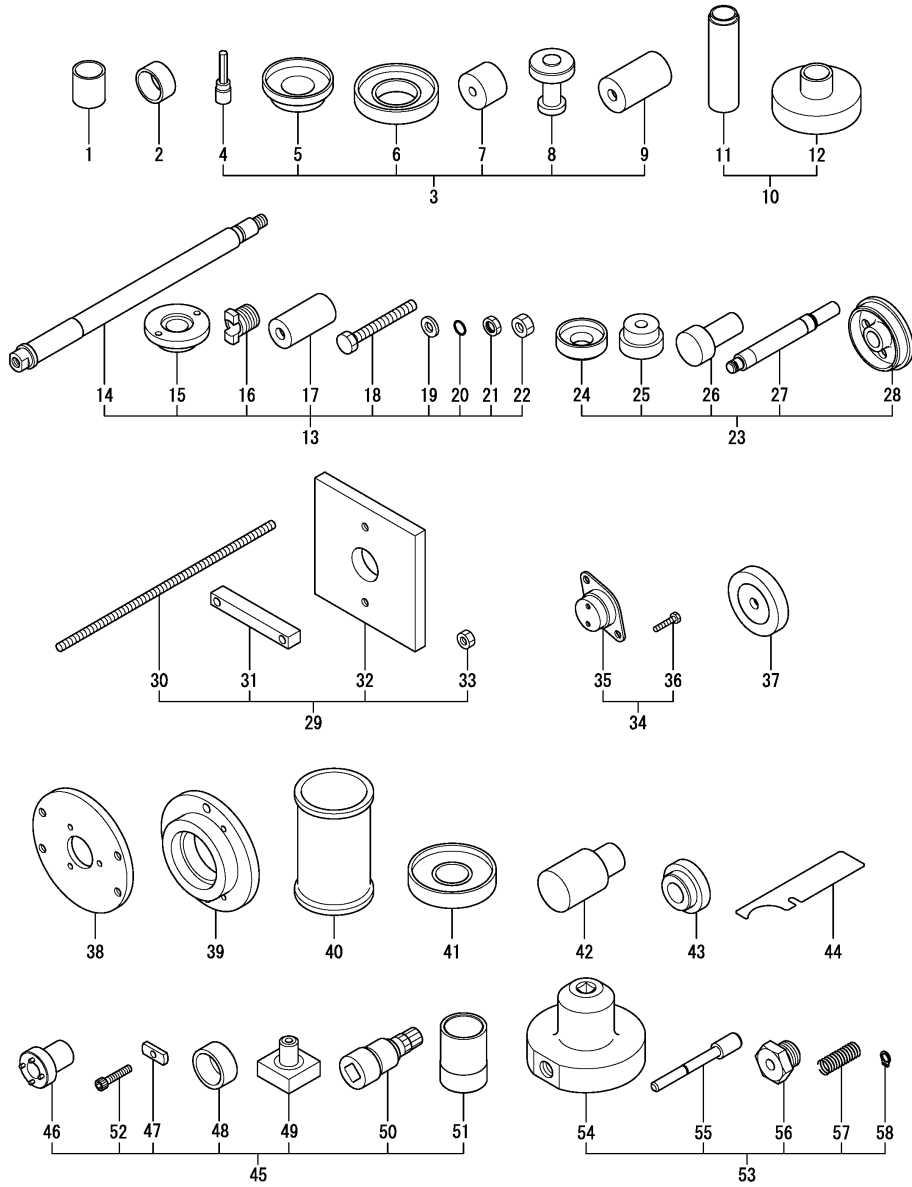
(D)=SD50-4T
(E)=
(F)=



No.	Lev.	Parts No.	Description	Q'ty						I	R
				(A)	(B)	(C)	(D)	(E)	(F)		
1	1	196312-92110	TOOL, BUILD-UP 37X40	1	1	1	1				
2	1	196440-92120	TOOL, 43X20	1	1	1	1				
3	1	196440-92140	TOOL ASSY, GEAR	1	1	1	1				
4	2	196420-92440	SPANNER, SOCKET 8	1	1	1	1				
5	2	196311-92560	TOOL, BUILD-UP B72	1	1	1	1				
6	2	196320-92560	TOOL, B85	1	1	1	1				
7	2	196320-92600	TOOL, NB20X25	1	1	1	1				
8	2	196311-92690	TOOL, 32X52	1	1	1	1				
9	2	196320-92690	TOOL, 35/43	1	1	1	1				
10	1	196440-92150	TOOL ASSY, SHAFT	1	1	1	1				
11	2	196440-92110	TOOL, 34X125	1	1	1	1				
12	2	196440-92130	TOOL, NB36X50	1	1	1	1				
13	1	196440-92160	TOOL ASSY, SHAFT	1	1	1	1				
14	2	196420-92650	TOOL, SHAFT	1	1	1	1				
15	2	196420-92660	TOOL, GUIDE 25/47	1	1	1	1				
16	2	196440-92680	TOOL, NB28	1	1	1	1				
17	2	196420-92690	TOOL, 30/36	1	1	1	1				
18	2	196320-92700	BOLT, M12X100	1	1	1	1				
19	2	22137-120000	WASHER, 12	1	1	1	1				
20	2	24311-000160	O-RING, 1AP16.0	1	1	1	1				
21	2	26606-140002	NUT, M14	1	1	1	1				
22	2	26711-120002	NUT, M12	1	1	1	1				
23	1	196440-92170	TOOL ASSY, SHAFT	1	1	1	1				
24	2	196311-92570	TOOL, BUILD-UP B62	1	1	1	1				
25	2	196440-92580	TOOL, TB62	1	1	1	1				
26	2	196440-92590	TOOL, GUIDE 32	1	1	1	1				
27	2	196322-92620	TOOL, B17X25	1	1	1	1				
28	2	196320-92640	TOOL, GUIDE 25/100	1	1	1	1				
29	1	196440-92180	TOOL ASSY, SHAFT	1	1	1	1				
30	2	196440-92250	BOLT	1	1	1	1				
31	2	196440-92260	TOOL, PROPELLER SHAFT	1	1	1	1				
32	2	196440-92270	STAND, SHAFT	1	1	1	1				
33	2	26716-120002	NUT, M12	4	4	4	4				
34	1	196440-92190	TOOL ASSY, BACKLUSH	1	1	1	1				
35	2	196440-92300	TOOL, MEASURING	1	1	1	1				
36	2	26116-060302	BOLT, M6X 30 PLATED	1	1	1	1				
37	1	196322-92260	TOOL, MEASURING	1	1	1	1				
38	1	196440-92280	TOOL, DRIVE SHAFT	1	1	1	1				
39	1	196440-92290	TOOL, SHAFT B	1	1	1	1				
40	1	196311-92510	STAND, CONSTRUCT	1	1	1	1				
41	1	196322-92550	TOOL, B90	1	1	1	1				
42	1	196440-92860	TOOL, OS 34	1	1	1	1				
43	1	196320-92880	TOOL, OS 45	1	1	1	1				
44	1	196440-92200	TOOL, PIPE TEMPLATE	1	1	1	1				W
(A=*2000.05)											
45	1	196440-92390	TOOL ASSY, LIMITER	1	1	1	1				W 1
(A=D#0022-04) (B=D#T022-04)											
46	2	196420-92300	WRENCH, SOCKET	1	1	1	1				W 1
(A=D#0022-04) (B=D#T022-04)											
47	2	196420-92340	TOOL, WRENCH 35X6	1	1	1	1				W 1
(A=D#0022-04) (B=D#T022-04)											

Remarks
(1) This design change is not applied to drive No.0109-04 and T109-04.

Fig.10. SPECIAL TOOL(B)(OPTIONAL)



(A)=SD40
(B)=SD40-4T
(C)=SD50

(D)=SD50-4T
(E)=
(F)=

No.	Lev.	Parts No.	Description	Q'ty						I	R
				(A)	(B)	(C)	(D)	(E)	(F)		
48	2	196420-92350 (A=D#0022-04) (B=D#T022-04)	TOOL, LIMITER 49X22	1	1	1	1			W	1
49	2	196440-92400 (A=D#0022-04) (B=D#T022-04)	STAND, ASSEMBLY	1	1	1	1			W	1
50	2	196440-92421 (A=D#0022-04) (B=D#T022-04)	WRENCH, SPLINE	1	1	1	1			W	1
51	2	196440-92440 (A=D#0022-04) (B=D#T022-04)	STAND, INSPECTION	1	1	1	1			W	1
52	2	26116-080402 (A=D#0022-04) (B=D#T022-04)	BOLT, M8X 40 PLATED	1	1	1	1			W	1
53	1	196450-92100 (A=*2005.08) (B=*2005.08) (C=*2005.08) (D=*2005.08)	TOOL ASSY, NUT FIXED	1	1	1	1			W	
54	2	196450-92110 (A=*2005.08) (B=*2005.08) (C=*2005.08) (D=*2005.08)	BASE, NUT FIXED	1	1	1	1			W	
55	2	196450-92120 (A=*2005.08) (B=*2005.08) (C=*2005.08) (D=*2005.08)	PIN, FIXED	2	2	2	2			W	
56	2	196450-92130 (A=*2005.08) (B=*2005.08) (C=*2005.08) (D=*2005.08)	PLUG	2	2	2	2			W	
57	2	196450-92140 (A=*2005.08) (B=*2005.08) (C=*2005.08) (D=*2005.08)	SPRING, FIXED	2	2	2	2			W	
58	2	196450-92150 (A=*2005.08) (B=*2005.08) (C=*2005.08) (D=*2005.08)	RING	2	2	2	2			W	

Remarks

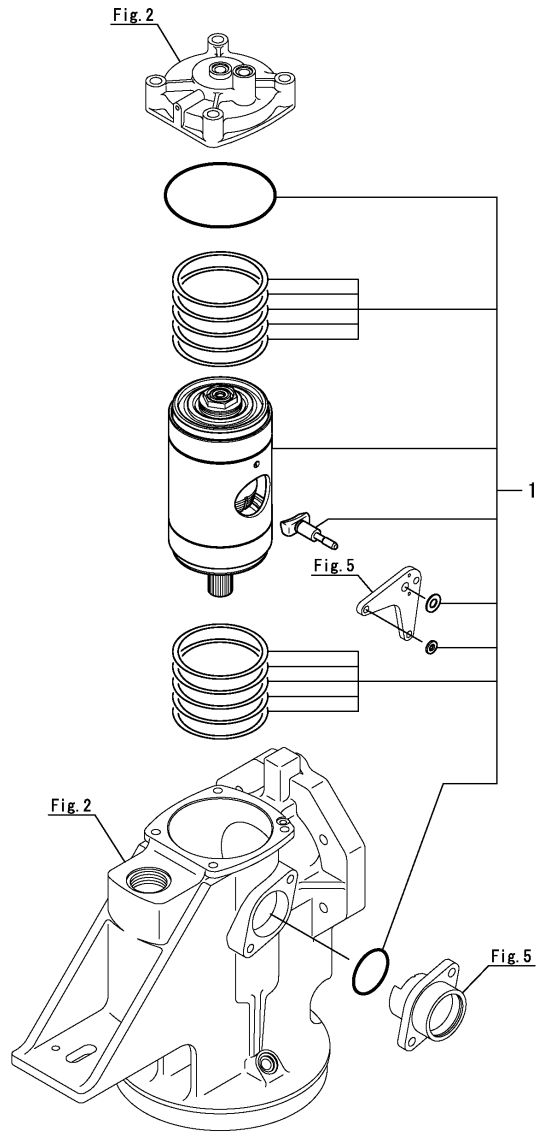
(1) This design change is not applied to drive No.0109-04 and T109-04.

Fig.11. CONE ASSY(OPTIONAL)

(A)=SD40
(B)=SD40-4T
(C)=SD50

(D)=SD50-4T
(E)=
(F)=

No.	Lev.	Parts No.	Description	Q'ty						I	R
				(A)	(B)	(C)	(D)	(E)	(F)		
1	1	796450-04890 (A=DXXXXX) (B=DXXXXX)	CONE ASSY	1	1						W



Parts No. Index

Parts No.	Fig. No.	Ref. No.
177073-02431	2	92
177073-06200	5	4
177073-06210	5	4 -1
177088-06390	5	6
177099-02130	2	5
189010-01130	2	36
	3	34
196311-02060	1	1
196311-02310	3	37
196311-92510	10	40
196311-92560	10	5
196311-92570	10	24
196311-92690	10	8
196311-92960	6	1
196311-92970	6	2
196312-92110	10	1
196313-04400	3	18
196315-06290	5	19 -1
196320-02230	2	12
196320-02650	3	10
196320-04400	2	68
196320-04410	2	72
196320-06610	5	9
196320-92120	9	3
196320-92560	10	6
196320-92600	10	7
196320-92640	10	28
196320-92690	10	9
196320-92700	10	18
196320-92880	10	43
196322-02320	2	24
196322-04152	2	55
196322-04240	2	52
196322-04301	2	62
196322-04321	2	63
196322-04322	2	63 -1
196322-04340	2	64
196322-04361	2	65
196322-04370	2	66
196322-04731	2	75
196322-04760	2	76
196322-04781	2	53
196322-04940	2	54
196322-04941	2	54 -1
196322-06581	5	7
196322-06582	5	7 -1
196322-06610	5	10
196322-06611	5	10 -1
196322-06630	5	12
196322-92260	10	37

Parts No.	Fig. No.	Ref. No.
196322-92550	10	41
196322-92620	10	27
196324-04380	2	67
196324-04450	3	59
	8	5
		14
196324-04480	2	73
196324-04490	2	74
196324-04560	8	12
196324-04910	3	48
196324-06590	5	8
196324-06900	5	13
196324-09250	3	54
196326-02410	2	37
196326-02420	2	40
		40 -1
	3	35
196326-04250	2	61
196326-04251	2	61 -1
196420-02050	2	4
	3	3
196420-02080	4	16
196420-02090	4	17
196420-02310	4	2
196420-02340	4	18
196420-02350	2	37 -2
196420-02380	2	92 -1
196420-02550	4	6
196420-02551	4	6 -1
196420-02580	2	88
196420-02620	3	9
196420-02652	3	16
196420-02701	4	7
196420-02710	4	8
196420-02720	4	9
196420-02730	4	10
196420-02740	4	11
196420-02801	4	12
196420-02812	4	13
196420-02820	4	14
196420-02821	4	14 -1
196420-02981	2	84
196420-09220	3	76
196420-09260	3	55
196420-09261	3	55 -1
196420-92011	7	3
196420-92012	7	3 -1
196420-92300	10	46
196420-92340	10	47
196420-92350	10	48

Parts No.	Fig. No.	Ref. No.
196420-92440	10	4
196420-92650	10	14
196420-92660	10	15
196420-92690	10	17
196431-02390	2	80
196431-02950	2	82
196431-02960	2	83
196440-02060	2	93
196440-02110	1	2
196440-02111	1	2 -1
196440-02130	1	2 A
196440-02140	2	6
196440-02160	2	9
196440-02170	2	10
196440-02180	2	11
196440-02240	3	36
196440-02241	3	36 -1
196440-02242	3	36 -2
196440-02250	2	18
196440-02320	2	30
196440-02380	4	2 A
196440-02390	4	5
196440-02410	2	37 -1
196440-02450	8	2
196440-02460	8	11
196440-02470	8	3
196440-02480	8	4
196440-02490	8	13
196440-02540	3	5
196440-02550	3	6
196440-02600	3	7
196440-02660	3	78
		78 -1
196440-02690	3	16 C
		16 C-1
		72 E
		79
		79 -1
		93
196440-02700	3	58 -1
		58 -2
		72 F
		80
		80 -1
		94
196440-02701	3	72 F-1
		94 -1
196440-02750	2	89
196440-02760	2	90
196440-02761	2	90 -1

Parts No.	Fig. No.	Ref. No.
196440-02770	2	91
196440-02771	2	91 -1
196440-02772	2	91 -2
196440-02780	2	91 A
196440-02781	2	91 A-1
196440-02782	2	91 -3
		91 A-2
196440-02791	8	8
196440-02801	8	17
196440-02811	8	9
196440-02821	8	18
196440-02870	3	17
196440-02871	3	17 -1
196440-04130	2	51
196440-04150	2	51 A
196440-04300	1	9
196440-04310	1	9 A
196440-04450	3	44
196440-04451	3	44 -1
196440-04452	3	44 -2
196440-04453	3	44 -3
196440-04490	2	74 -1
196440-04510	3	53
196440-04511	3	53 -1
196440-04512	3	53 -2
196440-04513	3	53 -3
196440-04540	3	59 -1
196440-04760	3	47 -1
196440-04770	3	45
196440-04780	3	46
196440-04790	3	47
196440-04800	3	50
196440-04801	3	50 -1
196440-04802	3	50 -2
196440-06050	5	2
196440-06070	5	3
196440-06290	5	5
196440-06610	5	11
196440-09150	3	82
196440-09160	3	83
196440-09170	3	84
196440-09180	3	85
196440-09200	3	73
196440-09220	3	75
196440-09260	3	77 -1
		77 -2
196440-09300	3	56
196440-92010	9	1
196440-92020	9	2
196440-92110	10	11

Parts No. Index

Parts No.	Fig. No.	Ref. No.
196440-92120	10	2
196440-92130	10	12
196440-92140	10	3
196440-92150	10	10
196440-92160	10	13
196440-92170	10	23
196440-92180	10	29
196440-92190	10	34
196440-92200	10	44
196440-92250	10	30
196440-92260	10	31
196440-92270	10	32
196440-92280	10	38
196440-92290	10	39
196440-92300	10	35
196440-92390	10	45
196440-92400	10	49
196440-92421	10	50
196440-92440	10	51
196440-92580	10	25
196440-92590	10	26
196440-92680	10	16
196440-92860	10	42
196440-92970	6	2 -1
196450-02060	2	93 A
196450-02140	2	6 -1
196450-02260	2	78 -1
196450-02350	2	37 -3
196450-02390	2	80 -1
196450-02440	3	87
196450-02441	3	87 -1
196450-02442	3	87 -2
196450-02490	3	72 A
196450-02491	3	72 A-1
196450-02500	3	16 -1 16 -2 72 B
196450-02600	3	88
196450-04900	3	50 -3
196450-92100	10	53
196450-92110	10	54
196450-92120	10	55
196450-92130	10	56
196450-92140	10	57
196450-92150	10	58
22113-080000	3	24
22113-100000	3	25
	8	6 15
22137-060000	5	14

Parts No.	Fig. No.	Ref. No.
22137-120000	10	19
22217-080000	1	4 5 2 41 42 5 15
22217-100000	1	4 A
22217-120000	4	3
22252-000420	5	16
22287-050000	5	17
22292-000300	2	77
22351-020010	2	85
	5	18
22413-250160	5	19 -3
22413-250163	5	19 -2
22417-250200	5	19
23418-140000	4	15
24141-302070	3	57
24141-322060	3	43
24163-228230	3	45 -1
24311-000070	3	26
24311-000090	2	43
24311-000100	6	3
24311-000150	2	86
24311-000160	10	20
24311-000320	2	79
24321-000250	2	87
24321-000300	3	27
24321-000400	5	20
24321-000500	3	28
24321-000550	3	28 -1
24321-000750	2	44
24321-000800	2	45 8 7 16
24321-000950	2	46
	3	29
24341-000850	2	47
24372-000460	3	30
24413-456209	2	78
24421-284008	5	21
26116-060302	10	36
26116-080402	10	52
26206-080202	1	6 -1
26206-080302	1	6
	5	22
26206-080402	1	7
26206-080452	2	48
26206-080502	1	8
26206-100302	1	6 A

Parts No.	Fig. No.	Ref. No.
26216-060142	5	23
26450-080162	2	49
26453-060202	3	58
26453-080162	3	72 G-1 92 -1
26453-080202	3	16 D 16 D-1 72 G 81 81 -1 92
26453-080302	3	31
26453-080752	3	77
26453-100252	3	32
26453-100602	3	33
26557-050162	5	24
26606-140002	10	21
26711-120002	10	22
26716-050002	5	25
26716-080002	2	50
26716-120002	4	4 10 33
26793-080002	3	86
26996-140002	3	49
28150-060000	7	1
28150-080000	7	2
28210-000080	6	4
41710-000410	5	26
796420-08630	4	1
796440-02900	2	1
796440-02901	2	1 -1
796440-02902	2	1 -2
796440-02903	2	1 -3
796440-02910	3	1
796440-02911	3	1 -1
796440-02912	3	1 -2
796440-02913	3	1 -3
796440-02914	3	1 -4
796440-02915	3	1 -5
796440-02940	2	1 A
796440-02941	2	1 A-1
796440-02942	2	1 A-2
796440-02943	2	1 A-3
796440-06260	5	1
796440-06261	5	1 -1
796440-08630	4	1 A
796450-02450	8	1
796450-02460	8	10
796450-04890	11	1
796450-09200	3	95

Parts No.	Fig. No.	Ref. No.
-----------	----------	----------