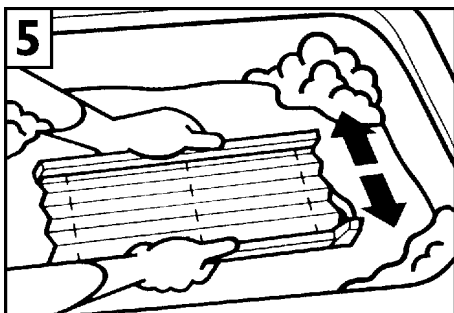
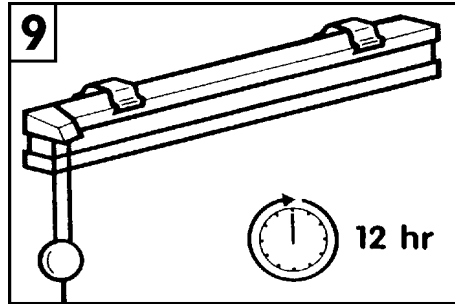
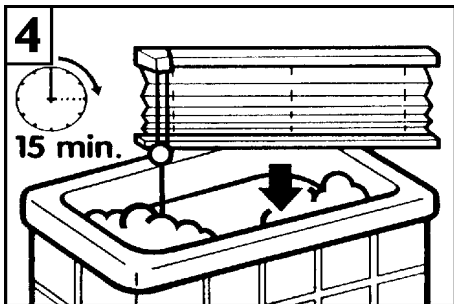
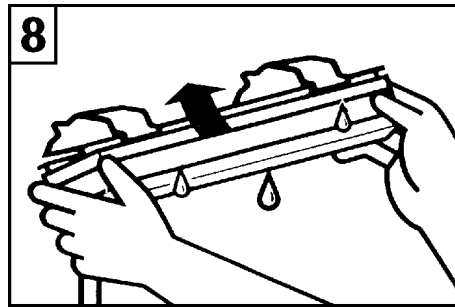
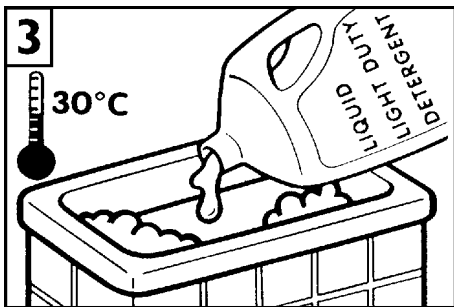
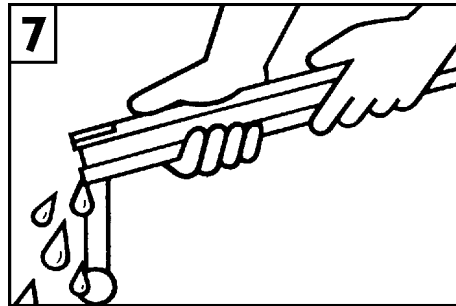
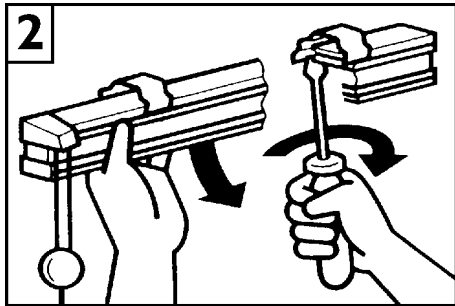
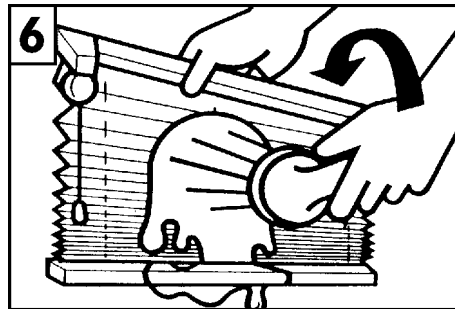
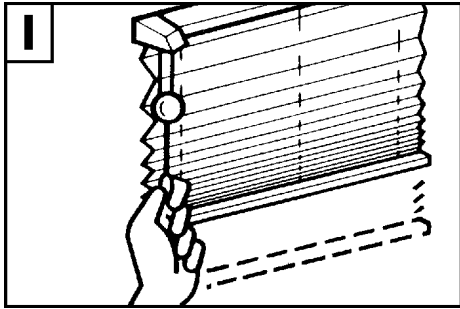


SKYSol Washing Instructions



The complete blind is easily unclipped and the whole blind including rails can then be immersed into a bath of luke warm, mild soapy water. This easy method of cleaning guarantees an attractive and clean appearance, even after many years.