

**NEEY**

**New generation of flying sail furlers**



[profurl.com](http://profurl.com)



# FLYING SAILS FURLERS NEX

## NEX GENERATION: The flying-sail furler for every sailor

Discover the NEX, Profurl's new generation of continuous-line, flying-sail furlers, developed through Profurl's know-how and R&D with input from some of today's greatest skippers to improve the performance of your yacht and ensure safe, optimum deployment of your flying sails. The NEX flying-sail furler enables you to sail with the correct sail fully deployed, and since it is easy to change, you can have the best sail in any wind conditions. The NEX is made for every sailor, professional or amateur.

## NEX: MODELS

- 4 models available: NEX0.9, NEX1.5, NEX2.5, NEX5.0
- For boats from 6 to 18m
- Optimal size and weight
- Wide range of terminals to fit your boat: Wichard snap shackle, MX (Wichard halyard shackle), standard shackles, 2:1 halyard blocks
- Proven Profurl Technology: maintenance free systems permanently sealed in grease (except the NEX0.9)
- Selective materials: for optimal strength/weight ratio
- 3 year world-wide limited warranty

## NEX: PERFORMANCE

### S-GRIP: Better line grip

The special groove design, allowing for deformation of the line, ensures:

- Better line grip, even when wet!
- Easier furling
- Minimum line wear



### OPTIMAL FURLING: Furl without effort

The optimal spool diameter provides ideal torque, which:

- Makes furling easier
- Reduces effort



### Xtra-Light Systems: Lightness first

The size and weight of each component (spool, swivel, and terminals) have been optimised to:

- Improve sailing performance
- Ensure easier handling of the systems



# FLYING SAILS FURLERS NEX



## NEX: SAFETY



### SAFE SYSTEM: Removable Line

Already standard on previous models, The SAFE SYSTEM enables you to stop the running of the furling line during deployment of sail and thus:

- prevent accidents or damage caused by a free running line.
- manoeuvre more quickly and easily
- prevent excessive wear of the line

## NEX: EASY TO USE



### I-CONNECT: The Quick Sail Attachment Device

available on NEX spools and swivels, enables you to quickly attach or remove the sails because of:

- A quick, ergonomic system (for singled handed operation)
- A fully integrated captive pin
- No risk of fouling with adjacent lines



### QUICK FIT: Line Fitting

Enables you to fit or unfit the continuous line rapidly.

- rapid fitting
- long splicing possible
- furling line may be left in position on deck
- furlers can be changed without changing the line



### TUNE & LOCK: Adjustment and installation

The system is fitted and adjusted with a single screw:

- adapts to the line outlet and deck layout
- reduction of excessive line friction
- quick installation with only one pre-fitted screw

# FLYING SAILS FURLERS NEX

## CHOOSE YOUR NEX AMONG 4 MODELS

	NEX 0.9	NEX 1.5	NEX 2.5	NEX 5.0
Boat length	from 6 to 10,5 m	from 10 to 12 m	from 12 to 14 m	from 13 to 18 m
Max Sail Area	35 m <sup>2</sup>	60 m <sup>2</sup>	80 m <sup>2</sup>	150 m <sup>2</sup>
Max Working Load*	900 Kg	1500 Kg	2500 Kg	5000 Kg
Spool Diameter	125 mm	140 mm	180 mm	230 mm

**Larger models are available : NEC 10, 12T, 16T, 20T, 30T for boats up to 100 ft. Contact us.**

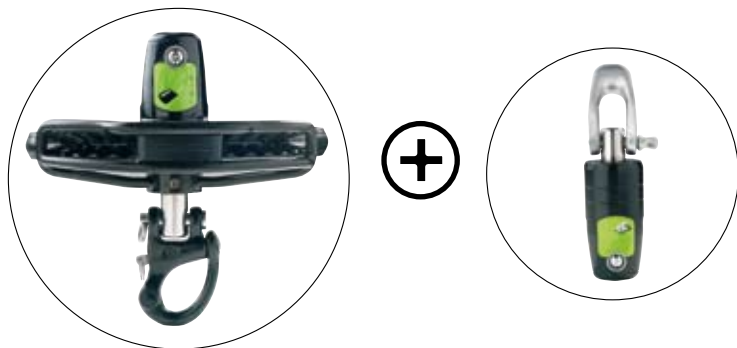
The values shown in the table are for information only and should be verified by a professional taking in to account the characteristics of the boat.

\*: The working loads shown are the maximum working loads of the mechanisms only and are not the loads of the complete system when terminals are included (see technical data on page 47). The product should not be used above these working loads in any circumstances.

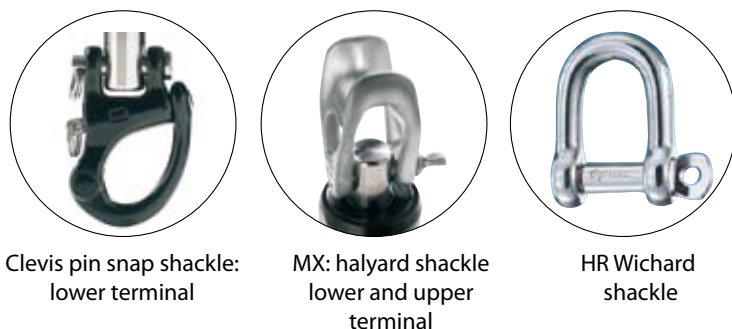
## COMPONENTS OF NEX FLYING SAIL FURLERS:

The NEX flying-sail furler is composed of 2 mechanisms, the spool and swivel, each with terminals allowing for fitting or use. An anti-twist torque rope which transmits the rotation up to the head of the sail is fitted inside the luff of the sail supplied by the sailmaker.

Spool and swivel



Fitting terminals



Clevis pin snap shackle:  
lower terminal

MX: halyard shackle  
lower and upper  
terminal

HR Wichard  
shackle

## BENEFITS OF NEX FLYING SAILS FURLERS



### IMPROVED PERFORMANCE

- Allows use of the sail best suited to sailing conditions
- Optimal size and weight (e.g., maximum sail luff)



### EASE OF USE AND SAFETY:

- Quick operations (rigged in seconds)
- Enhanced safety: sail furled from cockpit
- Reduced sails storage
- Quick sail attachment device (I-Connect)
- Quick line installation and removal (Quick Fit)

## TYPES OF SAILS

The flying-sail furler is designed to be used with light and heavy flying, asymmetrical sails, e.g., gennaker and code zero, between a beam reach and a broad reach.

### Light sails:

- Gennaker, code zero, screacher, light or mutlipurpose genoas, fisherman.

### Heavy sails:

- Solent, reacher, staysail, storm jib
- Combined with a 2:1 purchase, NEX is an efficient replacement to a removable stainless steel forestay.

See technical documents on page 49

# FLYING SAILS FURLERS NEX

## TERMINALS AND ACCESSORIES

	NEX 0.9	NEX 1.5	NEX 2.5	NEX 5.0
<b>Lower terminals on drum mechanism</b>				
Clevis pin snap shackle	included	included	included	included
MX: halyard shackle	option (MX6)	option (MX6)	option (MX8)	option (MX10)
<b>Upper terminals on swivel</b>				
MX: halyard shackle	option (MX6)	option (MX6)	inclusive (MX8)	inclusive (MX10)
Wichard shackle	included	included	option (part # 11204)	option (part # 11205)
Halyard block	N.A		option	
<b>Accessories</b>				
Thimbles	option: stainless steel thimbles with bar		option: aluminium thimbles	
Furling line			option	
Anti-twist torque rope			option	

## PROFURL INNOVATIVE TERMINALS SOLUTIONS by Wichard

Profurl supplies innovative terminals: easy to use and with optimal sizes and weight. Wichard's forging expertise ensures that these terminals, especially developed for NEX, provide one the best strength to weight ratios on the market.



### MX: Wichard halyard shackle

- Included on NEX 2.5 and NEX 5.0 models
- Reduces mast compression
- Replace standard halyard blocks
- Can be used as 2:1 purchase on drum mechanism
- Can be used as a simple shackle (with a single knot)
- Optimal dimensions and weights
- Perfect for swivels and spools
- Outstanding working and breaking loads
- Fully forged in 17/4 stainless steel for High Resistance
- 3 sizes available: MX6, MX8 and MX10 – for lines from 8 to 14 mm



### Wichard Clevis Pin Snap Shackle

- Included on all models
- Ergonomic ball stoppers for easier handling
- Optimal sizes and weights (no intermediate fittings)
- Forged in 17/4 stainless steel for High Resistance, with a black surface coating
- Outstanding working and breaking loads

### Aluminium thimble / Stainless steel thimble



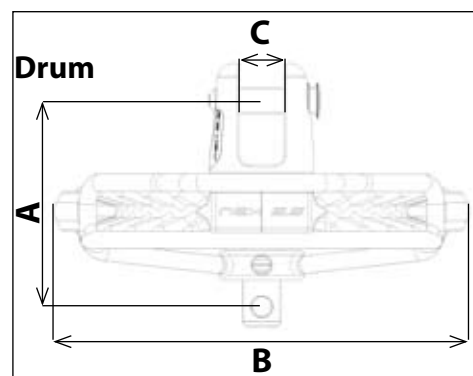
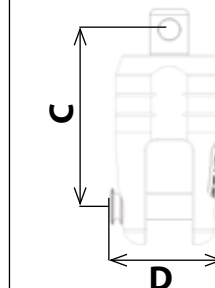
See technical documents on page 49

# TECHNICAL DOCUMENTS

## Technical data: flying sails furlers: spool and swivel

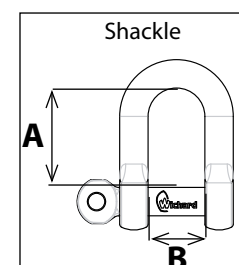
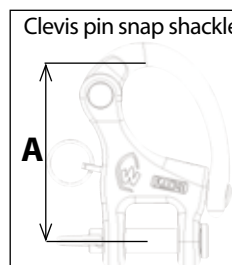
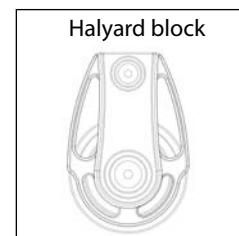
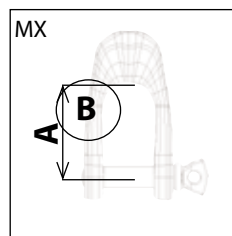
Technical data for mechanisms	Technical data: spool	NEX 0.9	NEX 1.5	NEX 2.5	NEX 5.0
	Height pin to pin: A mm	62,4 (2 29/64")	73,6 (2 57/64")	82,9 (3 17/64")	109,5 (4 5/16")
	Width drum mechanism: B mm	125 (4 59/64")	140 (5 33/64")	180 (7 3/32")	230 (9 1/16")
	Width fork: C mm	12	15	18	19
	Ø spool: mm	100 (3 15/16")	120 (4 23/32")	150 (5 7/8")	195 (7 11/16")
	Ø continuous line mm	8 (5/6")	10 (3/8")	10 (3/8")	10 (3/8")
	Weight: spool (only) Kg	0,210	0,290	0,800	1,100
	Technical data: swivel				
	Height pin to pin: C mm	47,3 (1 55/64")	58,8 (2 5/16")	69,6 (3 17/64")	94 (3 45/64")
	Width swivel: D mm	31 (1 7/32")	34 (1 5/16")	42 (1 5/8")	50 (1 31/32")
Weight: swivel (only) Kg	0,100	0,130	0,310	0,500	
Max Ø luff line mm	8 (5/6")	10 (3/8")	12 (1/2")	16 (5/8")	

Swivel



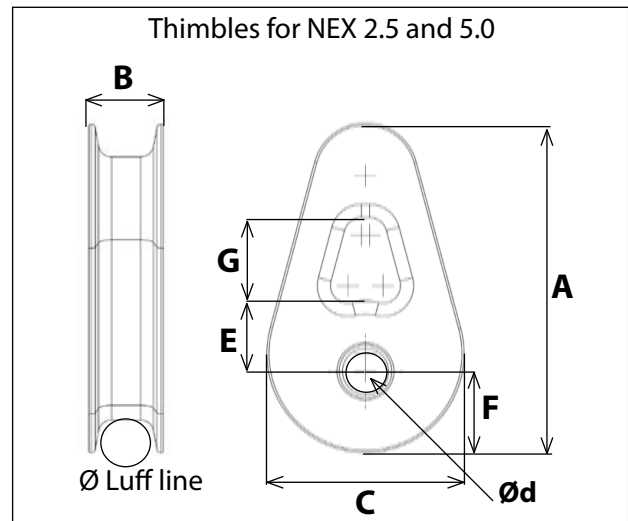
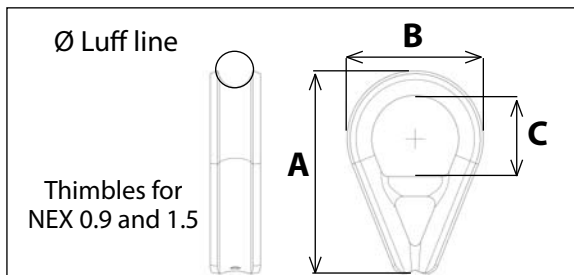
## Technical data: flying sails furlers: terminals

Technical data for terminals	Technical data: MX halyard shackle	MX6 (11503)	MX8 (11504)	MX10 (11505)
	A mm	29 (1 9/64")	32 (1 17/64")	39 (1 17/32")
	Ø halyard mm	8 (5/16")	10 (3/8")	14 (9/16")
	Weight Kg	0,044	0,096	0,186
	Technical data: halyard block	2,5T	5T	
	Height pin to pin mm	45 (1 49/64")	60 (2 23/64")	
	Ø sheave mm	55 (2 11/64")	70 (2 3/4")	
	Ø halyard mm	12 (1/2")	16 (5/8")	
	Weight Kg	0,160	0,370	
	Technical data: clevis pin snap shackle	Part # 2293	Part # 2295	Part # 2297
	For NEX:	NEX 0.9 and 1.5	NEX 2.5	NEX 5.0
	Height: pin to arm: A mm	39,5 (1 9/16")	54 (2 1/8")	65,5 (2 9/16")
	Passage diameter: B mm	16 (5/8")	21 (53/64")	26 (1 1/32")
	Weight Kg	0,054	0,130	0,257
	Technical data: Wichard HR shackle	Part # 11203 (NEX 0.9 & 1.5)	Part # 11204 (NEX 2.5)	Part # 11205 (NEX 5.0)
	Ø pin mm	Ø 6	Ø 8	Ø 10
A / B : mm	20 / 12	26 / 16	33 / 20	
Weight Kg	0,024	0,052	0,102	



## Technical data: flying sails furlers: thimbles

	Part #: 119907 (NEX 0.9)	Part #: 119908 (NEX 1.5)	Part #: P542538 (NEX 2.5)	Part #: P545038 (NEX 5.0)
<b>A mm</b>	45	50	75	92
<b>B mm</b>	28	33	17	18
<b>C mm</b>	17	20	45	52
<b>Ø d mm</b>	-	-	10,5	12,5
<b>E mm</b>	-	-	16	19
<b>F mm</b>	-	-	18,5	21,5
<b>G mm</b>	-	-	19	21
<b>Ø luff line max mm</b>	8	10	12	16
<b>Weight Kg</b>	0,015	0,017	0,055	0,068
<b>Material</b>	stainless steel		aluminium	





Country	Name	Zip code	Town	Country code	Phone	Fax	E-mail
Argentina	North Sails Argentina	1646	Buenos Aires	(54)	11 4725 0200	11 4746 7561	luis@ar.northsails.com
Australia	Wichard Pacific Pty Ltd	2027 NSW	Edgecliff	(61)	2 9516 0677	2 9516 0688	info@wichard.com.au
Austria	UK Halsey	4810	Gmunden	(43)	761 262 064	761 262 064	info@uk-sails.at
Azores	Mid Atlantic Yacht Services	9900-114	Horta	(351)	292 391616	292 391656	mays@mail.telepac.pt
	Boat & Sail Service	9500-771	Ponta Delgada - Sao Miguel	(351)	963 925707	296 281311	boatsailservice@gmx.net
Belgium	Wichard-Profurl Benelux	3280 AA	Numansdorp	(31)	(0)6 53 668862	(0)186 651055	sbzarzilay@wichard.com
Brazil	O Veleiro	20091-020	Rio De Janeiro	(55)	212 253 9086	212 263 9221	oveleiro@uol.com.br
Canada	WPG Canada	JOB 3G0	Stoke (Québec)	(1)	819 878 30 18	819 878 35 00	wpg@abacom.com
Canary islands	Velas Linton	35006	Las Palmas De Gran Canaria	(34)	928 291 934	928 291 934	prendergast@wanadoo.es
	Spinnaker Shop, S.I.	38002	Santa Cruz De Tenerife	(34)	922 243975	922 293830	info@spinnakershop.es
	Nordest	38370	La Matanza Tenerife	(34)	922 577 322	922 577 031	nordest@nordest-canarias.com
Caribbean	Caraibe Greement Guadeloupe	97110	Pointe À Pitre	(0590)	90 82 01	90 97 50	carabiegreement@hotmail.com
	Caraibe Greement Martinique	97290	Le Marin	(0596)	74 80 33	74 66 98	cgmar@wanadoo.fr
	Yacht Rigging St Martin		Route De Sandy Ground	(0590)	29 52 52	77 16 16	mustyachtrigging@domaccess.com
	Budget Marine St Martin		Philipsburg	(1)	599 544 3134	599 544 4409	stmaarten@budgetmarine.com
	Budget Marine Antigua Ltd		Bolans	(1)	268-462-8753	268-462-7727	antigua@budgetmarine.com
	Budget Marine VI	00802	Saint Thomas	(1)	340-779-2219	340-714-0466	stthomas@budgetmarine.com
	Echo Marine Trinidad		Chaguaramas	(1)	868-634-2027	868-634-2026	info@echo-marine.com
	Budget Marine Trinidad Ltd		Chaguaramas	(1)	868-634-2006	868-634-1710	trinidad@budgetmarine.com
	La Cie Du Port Franc St Barth.	97098	Port De Gustavia	(590)	27 68 81	27 85 73	
	Turbulence Ltd Grenada		Prickly bay	(473)	439 44 95	439 44 95	turbsail@spiceisle.com
Chile	Oceanic Chile		Santiago	(562)	244 20 20	244 1516	contacto@oceanic.cl
Croatia	Ramina Pomorstvo	21000	Split	(385)	2139 82 33	2139 82 33	ramina-pomorstvo@st.t-com.hr
Denmark	Hansen & Hamacher	6580	Vamdrup	(45)	75 58 10 64	75 58 33 63	hh@hansnoghhamacher.dk
	John Mast A/S	2670	Greve Strand	(45)	43 90 56 00	43 90 00 60	mail@johnmast.dk
Finland	Oy Vestek AB	02270	Espoo	(358)	9887 01 20	9887 01 291	vene@vestek.fi
France	Wichard S.A.S	63300	Thiers	(33)	(0)2 51 76 00 30	(0)2 40 01 40 43	marine@wichard.com
French Polynesia	Tahiti Sport / Nauti Sport	98713	Papeete	689	50 59 59	42 12 75	tahiti.sport@tahiti-sport.pf
Germany	Pfeiffer Marine GmbH	78315	Radolfzell	(49)	07732-9950-0	07732-995050	info@pfeiffer-marine.de
Gibraltar	H. Sheppard & Co. Ltd.		Gibraltar	(350)	77 183	42 535	info@sheppard.gi
Great Britain	IMP	SG8 5HW	Royston	(44)	1763 241 300	1763 241 770	sales@improducts.co.uk
Greece	A.Andreou & Co	Tk 18346	Athens	(302)	10 48 28 452	10 48 10 925	aandreou@hol.gr
Hong Kong	Storm Force Marine Ltd		Wanchai	(852)	2866 0114	2866-9260	sales@stormforcemarine.com
Hungaria	Fuke Yachts (Hullam 04)	8220	Balatonalmedi	(36)	884 328 97	884 328 97	info@fukeyacht.hu
Ireland	IMP	SG8 5HW	Royston	(44)	1763 241 300	1763 241 770	sales@improducts.co.uk
Israel	Atlantis Marine	63453	Tel Aviv	(972)	(03) 522 7978	(03) 523 5150	atlantis@inter.net.il
Italy	C-Marine S.r.l	19030	Bocca Di Magra - Sp	(39)	0187 67 08 28	0187 60 96 21	info@cmarine.it
Japan	Cosmos Marine Ltd	556-0023	Osaka	(81)	6 65672397	6 65672398	cosmarin@pure.ne.jp
Malta	Nautica	GZR 03	Gzira	(356)	213 451 39	213 438 21	info@nautica.com.mt
Netherlands (the)	Wichard-Profurl Benelux	3280 AA	Numansdorp	(31)	(0)6 53 668862	(0)186 651055	sbzarzilay@wichard.com
	TV Enterprise	NI 8245 BI	Lelystad	(31)	320 219 990	320 219 540	tvnprise@planet.nl
New Caledonia	Marine Corail	98800	Noumea	(687)	27 58 48	27 68 43	info@marine-corail.nc
New Zealand	Kiwi Yachting	90114	Auckland	(64)	9 36 00 30 0	9 36 00 30 2	sales@kiwiyachting.co.nz
Norway	Hovdan-Poly	0614	Oslo	(47)	23 14 12 60	23 14 12 61	post@hovdan.no
Poland	Majer	01 - 541	Varsovie	(48)	(0)22 869 93 60	(0)22 839 90 21	sails@majer.com.pl
Portugal	Vela Rio	2830	Barreiro	(351)	2121 55 994	2121 55 994	velario.sailmakers@gmail.com
Réunion Island	La voilerie du port	97420	Le Port	(33)	(0)6 92 21 76 69	(0)2 62 59 82 33	voilerieduport@hotmail.com
Singapore	Intermarine Supply	639078	Jurong	(65)	686 33 966	686 33 277	ropes@intermarine.com.sg
Slovenia	Skipper Portoroz	6320	Portoroz	(386)	5 67 770 11	5 67 770 13	skipper@siol.net
South Africa	Profurl South Africa	7435	Cape Town	(27)	21 555 3470	21 555 3471	profurl@mweb.co.za
Spain	Pertrechos Nauticos	08022	Barcelona	(34)	9 341 86 632	9 341 85 648	profurl@pertrechosnauticos.com
Sweden	Gransegel	13136	Nacka	(46)	8718 30 60	8718 49 05	stockholm@gransegel.se
Switzerland	Felber & Cie	1545	Chevroux	(41)	266 671 324	266 672 213	
	Megroz Voiles	1070	Puidoux	(41)	21 946 49 49	21 946 49 50	pm@fragniere-megroz.ch
Taiwan	Storm Force Marine Ltd		Wanchai	(852)	2866 0114	2866-9260	sales@stormforcemarine.com
Thailand	Precision Shipwright	83000	Phuket	(66)	76239113	76239113	pss@loxinfo.co.th
Tunisia	Yachting service Tunisia	2078	Marsa	(216)	98 456 549	71 777 567	ystunisie@wanadoo.fr
Turkey	Prima Deniz	34728	Istanbul	(90)	216 355 22 40	216 355 22 40	kayayelken@superonline.com
UAE	Dubois	53793	Dubai	(971)	4 399 45 54	4 399 45 33	c.vanek@dubois.com
Ukraine	Perestyuk	253156	Kiev	(380)	44 277 8684	44 277 8684	
Uruguay	Kraen Sa	70.000	Colonia	(598)	52-23814	52-23815	kraen@adinet.com.uy
USA	Wichard, Inc.	VT 05404	Vinooski	(1)	401 683 5055	401 655 4689	info@wichard-usa.com

The description and specifications of the products show in this document may be changed without prior notice.

English version: Part # P67GB09 - Photos Wichard - Benoit Stichelbaut - Studio Garnier - Jérôme Kélagopian - X-Yacht - X-Plone

**WICHARD S.A.S**

ZI de Felet - BP 85  
63307 Thiers Cedex  
France  
Tel +33 (0)4 73 51 65 39  
Fax +33 (0)4 73 80 62 81  
E-mail : marine@wichard.com

**Hotline / Technical support**

Z.A Pomichet Atlantique  
16 av du Gulf Stream  
44380 Pomichet - France  
Tel +33 (0)2 51 76 00 35  
Fax +33 (0)2 40 01 40 43  
E-mail : hotline@wichard.com

**WICHARD, Inc.**

148a Bryce Blvd  
Fairfax - VT05454 - USA  
Tel: +1 (401) 683-5055  
Fax: +1 (802) 655-4689  
Toll free number: +1 866 621 1062  
E-mail: info@wichard-usa.com

**WICHARD Pacific Pty Ltd**

PO Box 712 Edgecliff NSW 2027  
Australia  
Phone: +61 2 9516 0677  
Fax: +61 2 9516 0688  
Free call: 1800 639 767  
E-mail: info@wichard.com.au