

## ► TÊTES DE MÂT 7/8 / MASTHEADS 7/8

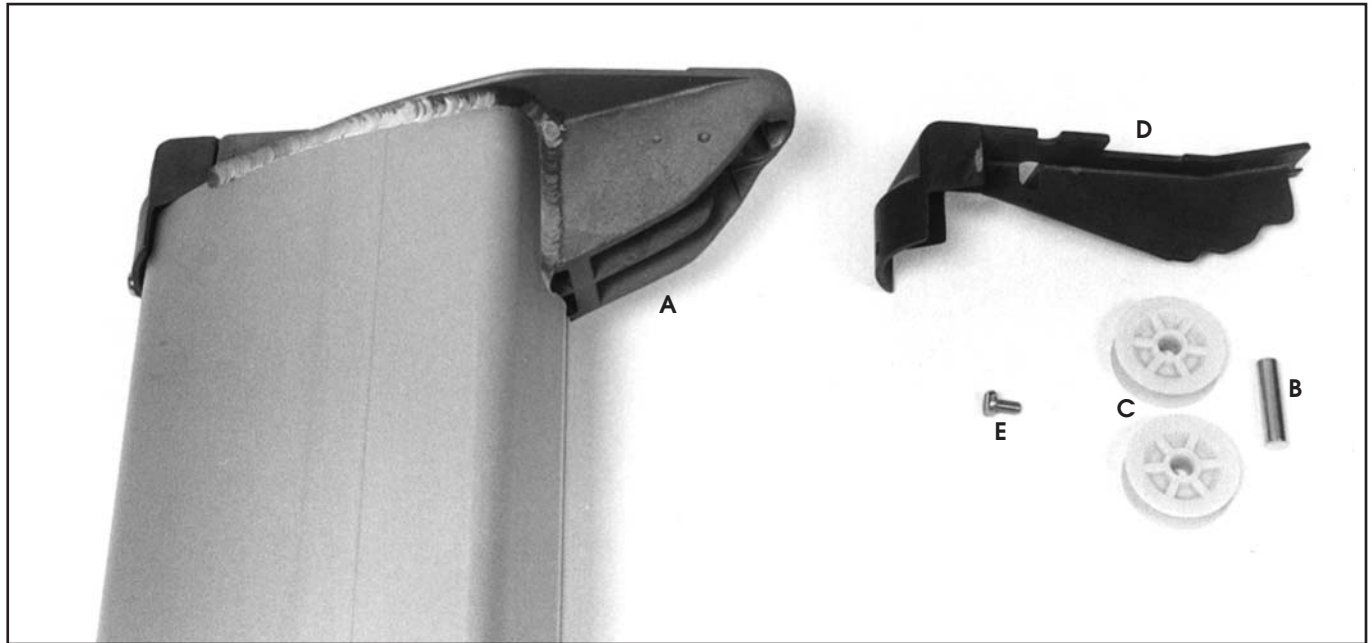
### GRÉEMENTS FRACTIONNÉS / FRACTIONAL RIGGING

RÉF.	TÊTES DE MÂT / MASTHEADS			CAPELAGES / FORESTAYS		
F 35	OC 0*			OC 0		
F 50	OC 0*			OC 0		
F 67	OC 0*			OC 0		
F 101	OC 0*			OC 0		
I 137		OC 1			OC 1	
I 180		OC 1			OC 1	
I 260		OC 1			OC 1	
I 330		OC 1			OC 1	OC 2
NG 51		OC 1	OC 2		OC 1	OC 2
NG 60			OC 2			OC 2
NG 70			OC 2			OC 2
NG 80			OC 2			OC 2
NG 86				OC 3		OC 2
NG 105				OC 3		OC 2

\* spécifications pour tête de mât OC 0 fractionnée identique à OC 0 grée en tête.  
*the specifications for the OC 0 masthead are similar to the fractional.*

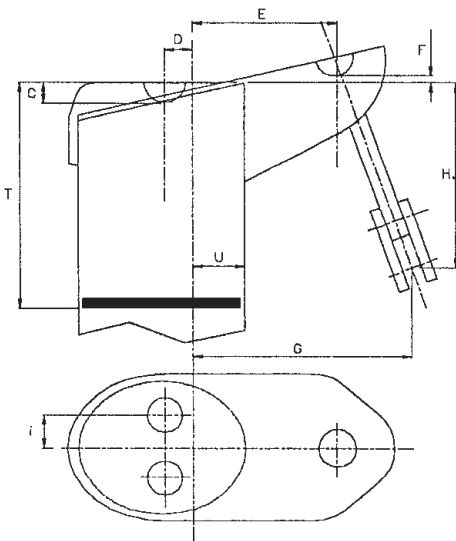
## ► TÊTES DE MÂT OC 1 - 7/8 / MASTHEADS OC 1 - 7/8

2004



GRÉEMENT DORMANT ET COURANT, mêmes dimensions que la tête de mât OC 1  
 STANDING AND RUNNING RIGGING same dimensions than masthead OC 1

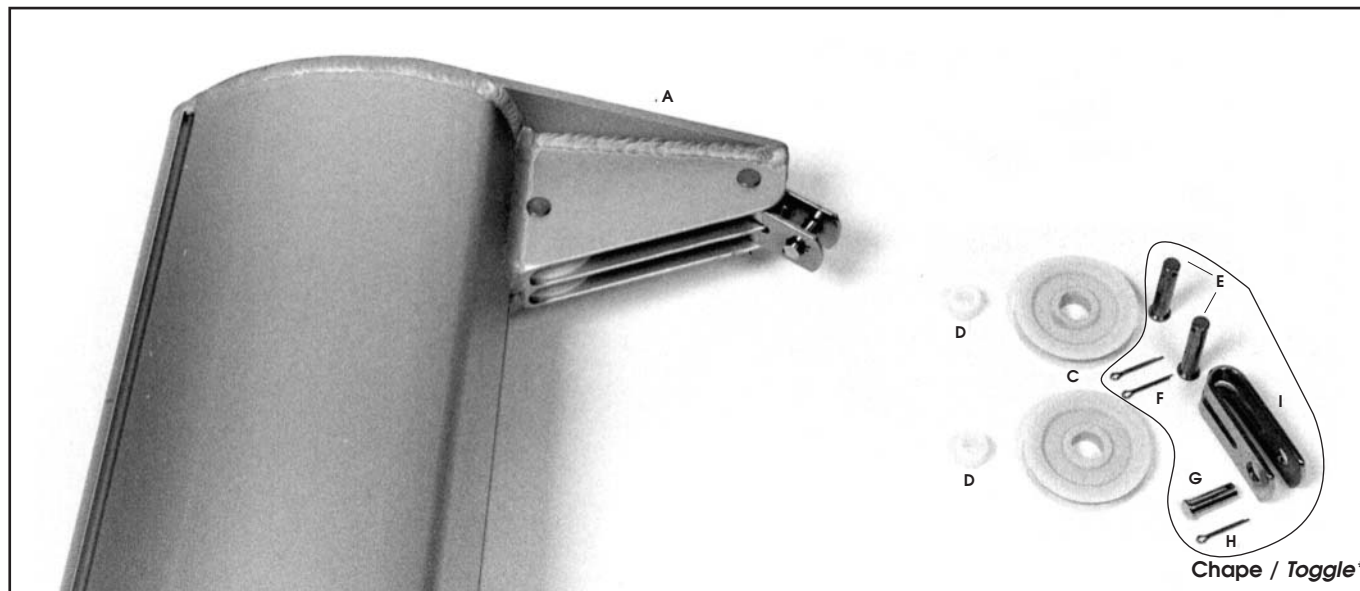
DÉSIGNATION	DESCRIPTION	REP	I 137	I 180	I 260	I 330	NG 51
Réf. complet	Complete code		30001070285	30001070285	30001070285	30001073305	30001073305
Corps	Body	A	30001070283	30001070283	30001070283	30001070283	30001070283
Axe	Pin	B	40020110040	40020110040	40020110040	40020110040	40020110040
Réas	Sheaves	C	48530601415 x2	48530601415 x2	48530601415 x2	48530601415 x2	48530601415 x2
Chapeau	M/h cover	D	30001100283	30001100283	30001100283	30001103303	30001103303
Vis	Screw	E	28600704010	28600704010	28600704010	28600704010	28600704010



### CARACTÉRISTIQUES PRINCIPALES / MAIN DIMENSIONS

PROFILS Non retraits / Non tapered	C	D	E	F	G	H	I	T	U
<b>I 137</b>	8	17	162	20	197	69	33	250	61
<b>I 180</b>	15	6	139	14	172	75	33	250	65
<b>I 260</b>	18	15	130	12	163	77	33	250	67
<b>I 330</b>	19	24	121	9	154	80	33	250	68
<b>NG 51</b>	22	27	118	7	151	82	33	250	75

## ► TÊTE DE MÂT OC 2 - 7/8 / MASTHEAD OC 2 - 7/8



2004

**GRÉEMENT DORMANT / STANDING RIGGING** : câble Ø 8 maxi / wire Ø 8 maxi

**GRÉEMENT COURANT / RUNNING RIGGING** : drisse Ø 14 maxi / rope Ø 14 maxi

**ANCRAGE D'ÉTAI ET DE PATARAS PAR CARDANS NON FOURNIS /  
TOGGLES FOR HEADSTAY AND BACKSTAY NOT SUPPLIED**

**30003033705** Tête de mât complète NG 51 non retreinte  
**30003033885** Tête de mât complète NG 60 non retreinte  
**30003030705** Tête de mât complète NG 70 non retreinte  
**30003034125** Tête de mât complète NG 80 non retreinte

*Masthead complete NG 51 non tapered*  
*Masthead complete NG 60 non tapered*  
*Masthead complete NG 70 non tapered*  
*Masthead complete NG 80 non tapered*

Pour les nomenclatures des têtes NG51, NG60 et NG80 voir "Performance 7/8 non retreint".  
 To find the bill of material of the mast head NG51, NG60 and NG80  
 see the "Performance 7/8 mast head non tapered".

NG51 = F305  
 NG60 = F385  
 NG80 = F580

**NOMENCLATURE POUR NG 70 :**

**30003030702** Corps NG 70 n° 3  
**30003110702** Cloison  
**48530851515** Réas acetal Ø 80 x 15 avec bague  
**40502021012** Bague à réas  
**40020212052** Axes de tête (reas)  
**28803032200** Goupilles fendues  
**40020212052** Axe Etai / Pataras Ø 12 x 52  
**28803032200** Goupille Ø 3,2 x 20  
**41410101241** Chape Etai / Pataras

*Body NG 70 n° 3*  
*Cheek*  
*Sheaves acetal Ø 80 x 1 5*  
*Rings for sheaves*  
*Pins for sheaves*  
*Safety pins*  
*Drilled pin Ø 12 x 52*  
*Safety pin Ø 3,2 x 20*  
*Forestay/backstay toggle pin*

QT	REPERE
1	A
1	
2	C
2	D
2	E
3	F
1	G
1	H
1	I

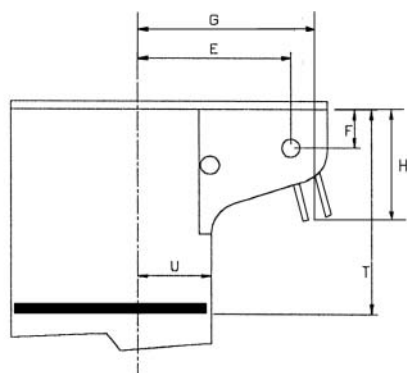
**NOMENCLATURE POUR NG 70 BOULONNEE 30003040705 :**

**30003030705** Tête de mât complète NG 70 non retreinte  
**28600512000** Ecrous indes. Ø 12  
**40020512135** Axe traversant

*Masthead complete NG 70 non tapered*  
*S/s lock nuts Ø 12*  
*Through pin*

1
2
1

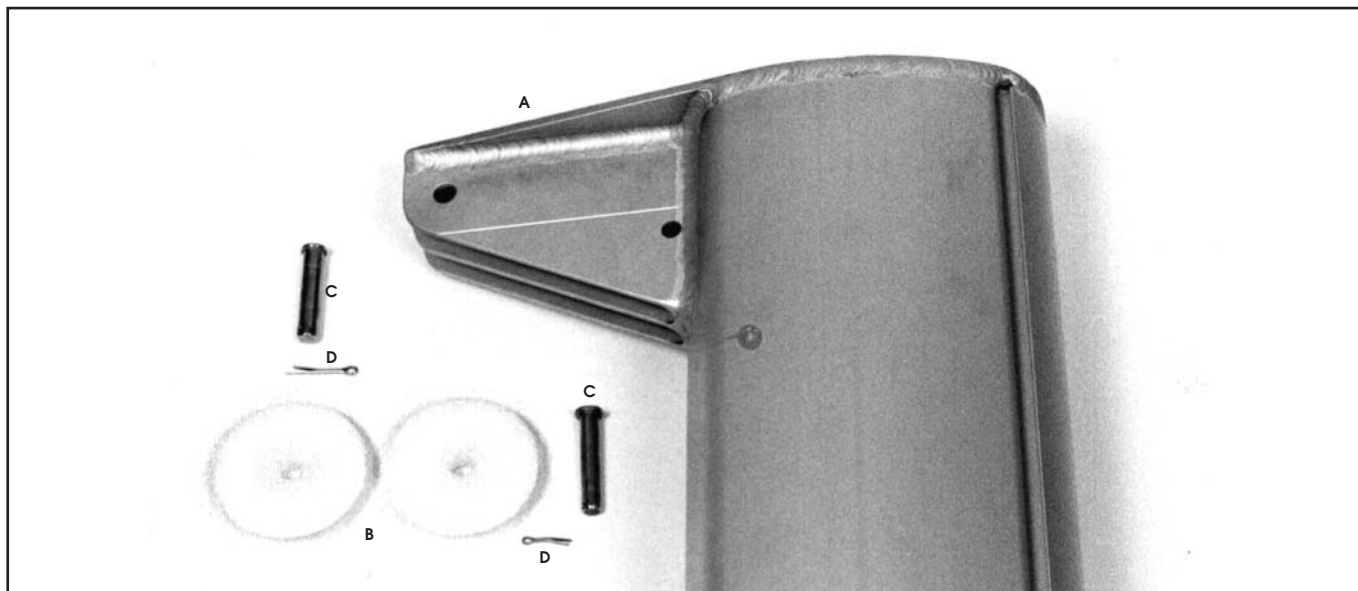
\* Réf. chape : voir page 5 / Toggle : see page 5.



### CARACTÉRISTIQUES PRINCIPALES / MAIN DIMENSIONS

PROFILS Non retreints Non tapered	E	F	G	H	T	U
<b>NG 51</b>	250	25	270	80	250	75
<b>NG 60</b>	257	25	277	80	300	80
<b>NG 70</b>	263	25	283	80	300	96
<b>NG 80</b>	267	25	287	80	300	96

## ► TÊTE DE MÂT OC 3 - 7/8 / MASTHEAD OC 3 - 7/8



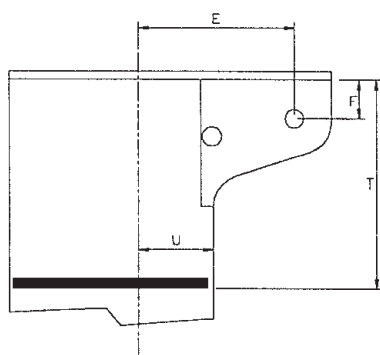
**GRÉEMENT DORMANT / STANDING RIGGING** : câble Ø 14 maxi / wire Ø 14 maxi

**GRÉEMENT COURANT / RUNNING RIGGING** : drisse Ø 18 maxi / rope Ø 18 maxi

**ANCRAGE DE PATARAS PAR CARDANS NON FOURNIS /**

**TOGGLES FOR BACKSTAY NOT SUPPLIED**

30006031055	Tête de mât soudée NG 105	<i>Welded masthead NG 105</i>	QT	REPERE
30006030865	Tête de mât soudée NG 86	<i>Welded masthead NG 86</i>		
30006031052	Corps NG 105 n°6	Masthead NG 105 n°6	1	A
30006030862	Corps NG 86 n°6	Masthead NG 86 n°6	1	
48511102125	Réas delrin Ø 110 x 21	<i>Delrin sheaves Ø 110 x 21</i>	2	B
40020318078	Axes percés Ø 18 x 78	<i>Drilled pins Ø 18 x 78</i>	2	C
28803040400	Goupilles fendues Ø 4 x 40	<i>Safety pins Ø 4 x 40</i>	2	D
30006041055	Tête de mât boulonnée NG 105	<i>Bolted masthead NG 105</i>		
30006040865	Tête de mât boulonnée NG 86	<i>Bolted masthead NG 86</i>		
30006031055	Tête de mât NG 105	<i>Masthead NG 105</i>		
30006030865	Tête de mât NG 86	<i>Masthead NG 86</i>		
28600514000	Ecrous indes. Ø 14	<i>S/s lock nuts Ø 14</i>	2	
40020514222	Axes trav. Ø 14 x 222 NG105	<i>Through pins Ø 14 x 222 NG105</i>	1	
40020514206	Axes trav. Ø 14 x 206 NG86	<i>Through pins Ø 14 x 206 NG86</i>	1	



### CARACTÉRISTIQUES PRINCIPALES / MAIN DIMENSIONS

PROFILS Non retraints Non tapered	E	F	T	U
<b>NG 86</b>	243	25	350	93
<b>NG 105</b>	271	25	350	121