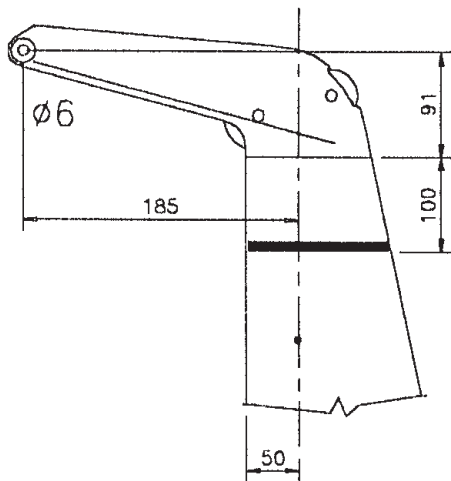
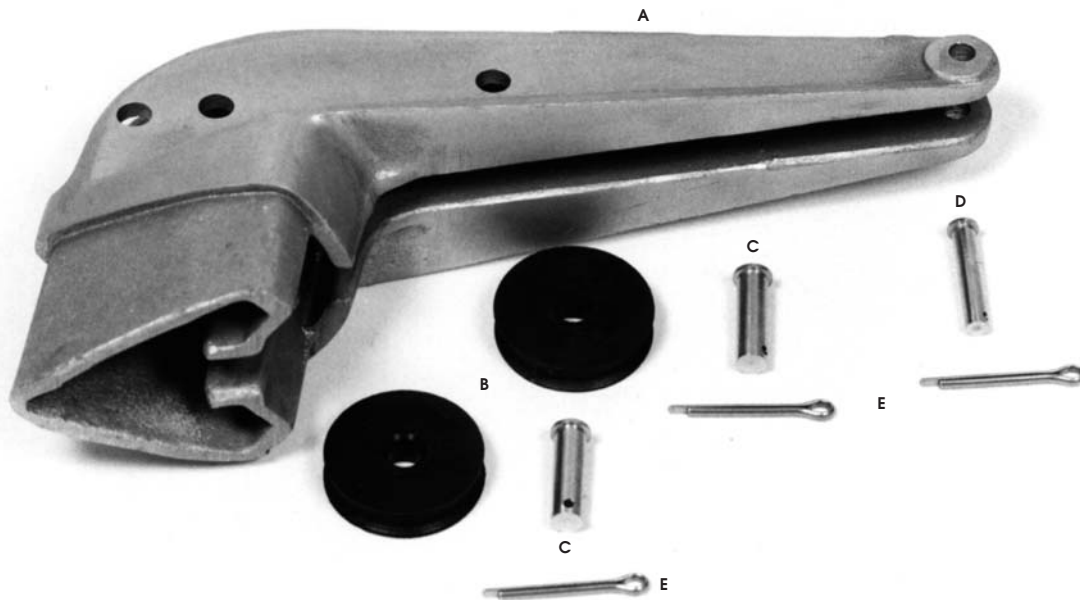


► TÊTE DE MÂT F78 IMS80 / MASTHEAD F78 IMS80

2004



Rétreint frontal
longueur standard 1 500 mm.
Front taper standard length 1 500 mm.

30008010785

* TETE DE MAT COMPLETE STANDARD
AVEC BALANCINE.
COMPLETE MASTHEAD WITH TOPPING LIFT.

Ref.	Désignation	Description	Qt
30008010783	CORPS T D MAT F78/IMS80 ANO	BODY	1
48530401015	REA ACETAL 40X10 INJECTE	SHEAVE 40x10	1
48510271015	REA delrin 27X10 INJECTE	SHEAVE 25x10	2
40020208024	AXE INOX PERCE 8X24	PIN 8X24	3
40020206028	AXE INOX PERCE 6X28	PIN 6X28	1
28803020160	GOUPILLE FENDUE INOX D2X16	SPLIT PIN	4
29002248120	RIVET INOX TC 4,8X12	S/s RIVET	4
29002248160	RIVET INOX TC 4,8X16	S/s RIVET	2

30008010786

* TETE DE MAT COMPLETE SPI EN TETE
(SANS BALANCINE).
COMPLETE MASTHEAD WITH SPI HALYARD
WITHOUT TOPPING LIFT.

Ref.	Désignation	Description	Qt
30008010783	CORPS T D MAT F78/IMS80 ANO	BODY	1
48530401015	REA ACETAL 40X10 INJECTE	SHEAVE 40x10	2
40020208024	AXE INOX PERCE 8X24	PIN 8X24	2
40020206028	AXE INOX PERCE 6X28	PIN 6X28	1
28803020160	GOUPILLE FENDUE INOX D2X16	SPLIT PIN	3
29002248120	RIVET INOX TC 4,8X12	S/s RIVET	4
29002248160	RIVET INOX TC 4,8X16	S/s RIVET	2

* **Montage/Assembly :** Rivet inox/Stainless rivet 4 x 29002248120
Rivet inox/Stainless rivet 2 x 29002248160