



**YANMAR**  
®

# ***Sail- Drive***

**OPERATION MANUAL**

**SD20  
SD50  
SD50-4T**

**P/N: 0ASDM-G00100**

**SAIL-DRIVE**

---

**Disclaimers:**

All information, illustrations and specifications in this manual are based on the latest information available at the time of publishing. The illustrations used in this manual are intended as representative reference views only. Moreover, because of our continuous product improvement policy, we may modify information, illustrations and / or specifications to explain and / or exemplify a product, service or maintenance improvement. We reserve the right to make any change at any time without notice. Yanmar and **YANMAR** are registered trademarks of Yanmar Co., Ltd. in Japan, the United States and / or other countries.

**All Rights Reserved:**

No part of this publication may be reproduced or used in any form by any means - graphic, electronic, or mechanical, including photocopying, recording, taping, or information storage and retrieval systems - without the written permission of Yanmar Marine International.

© 2007 Yanmar Marine International

1107

# TABLE OF CONTENTS

---

	Page
<b>Introduction</b> .....	1
<b>Safety</b> .....	3
Safety Precautions .....	3
General Information .....	4
Before You Operate .....	4
During Operation and Maintenance .....	5
<b>Product Overview</b> .....	9
Overview .....	9
Owner / Operator Responsibilities .....	9
New Sail-Drive Break-In: .....	9
Dealer / Distributor Responsibilities .....	9
Component Identification .....	10
Galvanic Corrosion .....	11
Corrosion Control .....	11
Shore Power .....	12
Underwater Drive Coating .....	12
<b>Before You Operate</b> .....	13
Propeller Selection .....	14
Recommended Propeller Size (Maximum) .....	14
Fitting a Fixed Propeller (2-Blade) .....	15
Lubricating Oil .....	16
Filling With Lubricating Oil - SD20, SD50 and SD50-4T .....	17
Checking the Instrument Panel Alarm System .....	18
Daily Checks .....	20
Visual Checks .....	20
<b>Sail-Drive Operation</b> .....	21

# TABLE OF CONTENTS

---

Remote Control Device Check .....	22
SD20 .....	22
SD50 / SD50-4T .....	24
Engine Cooling Water .....	25
SD20 .....	25
SD50 / SD50-4T .....	26
<b>Maintenance</b> .....	27
Tightening Fasteners .....	30
Torque Charts .....	31
Standard Torque Values .....	31
Standard Torque Chart .....	31
Periodic Maintenance .....	32
Periodic Maintenance Table .....	34
When The Vessel Is Out Of The Water, Perform The Following: .....	36
Removing Deposits From The Lower Gear Case .....	36
Repairing Damaged Coating .....	36
Inspecting the Zinc Anode .....	36
Inspecting The Folding Propeller .....	36
Draining Water .....	36
Periodic Maintenance Procedures .....	37
After Initial 50 Hours of Operation .....	37
Every 100 Hours of Operation .....	46
Every 250 Hours of Operation .....	47
Every 500 Hours of Operation .....	47
Every Year .....	48
Every 2 Years .....	48
Every 2000 Hours of Operation .....	49
<b>Specifications</b> .....	51
<b>System Diagrams</b> .....	53

# INTRODUCTION

---

This Installation and Operation Manual describes Sail-Drive Models SD20, SD50, SD50-4T. For engine handling and operation, refer to the respective operation manuals for Engine Models 1GM10C, 2YM15, 3YM20, 3YM30, 3JH4E, 4JH4AE and 4JH4-TE. However, instructions for the marine gear box are not necessary as they are included.

Engines and Sail-Drive combinations are available as follows:

Engine model	Sail-Drive Model
1GM10C	SD20
2YM15	
3YM20, 3YM30	
3JH4E	SD50
4JH4AE	
4JH4-TE	SD50-4T

**This Page Intentionally Left Blank**

# SAFETY

---

Yanmar considers safety of great importance and recommends that anyone that comes into close contact with its products, such as those who install, operate, maintain or service Yanmar products, exercise care, common sense and comply with the safety information in this manual.



This safety alert symbol appears with most safety statements. It means attention, become alert, your safety is involved! Please read and abide by the message that follows the safety alert symbol.

## SAFETY PRECAUTIONS

### **DANGER**

Indicates a hazardous situation which, if not avoided, *will* result in death or serious injury.

### **WARNING**

Indicates a hazardous situation which, if not avoided, *could* result in death or serious injury.

### **CAUTION**

Indicates a hazardous situation which, if not avoided, *could* result in minor or moderate injury.

### **NOTICE**

Indicates a situation which can cause damage to the Sail-Drive, personal property and / or the environment or cause the equipment to operate improperly.

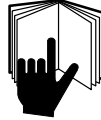
## General Information

There is no substitute for common sense and careful practices. Improper practices or carelessness can cause burns, cuts, mutilation, asphyxiation, other bodily injury or death. This information contains general safety precautions and guidelines that must be followed to reduce risk to personal safety. Special safety precautions are listed in specific procedures. Read and understand all of the safety precautions before operation or performing repairs or maintenance.

## Before You Operate

### DANGER

The safety messages that follow have **DANGER** level hazards. These safety messages describe a hazardous situation which, if not avoided, **will result in death or serious injury**.



**NEVER** permit anyone to install or operate the Sail-Drive without proper training.

- Read and understand this *Operation Manual* before you operate or service the Sail-Drive to ensure that you follow safe operating practices and maintenance procedures.
- Safety signs and labels are additional reminders for safe operating and maintenance techniques.
- See your authorized Yanmar marine dealer or distributor for additional training.

---

### Crush Hazard



**NEVER** stand under a hoisted Sail-Drive.

If the hoist mechanism fails, the Sail-Drive will fall on you. When you need to transport a Sail-Drive for repair, have a helper assist you to attach it to a hoist and load it onto a truck.

---

**NEVER** support marine gear with equipment not designed to support the weight of the marine gear such as wood blocks or by only using a jack.

---

**NEVER** use the Sail-Drive lifting eye to lift the engine and Sail-Drive as an assembly. Use the engine lifting eyes to lift the engine and Sail-Drive. Only use the Sail-Drive lifting eye to lift the Sail-Drive as a separate component.



## During Operation and Maintenance

### DANGER

The safety messages that follow have DANGER level hazards.

#### Explosion Hazard



While the engine is running or the battery is charging, hydrogen gas is being produced and can be easily ignited. Keep the area around the battery well-ventilated and keep sparks, open flame and any other form of ignition out of the area.

#### Fire Hazard



Ensure that appropriate fire detection and extinguishing equipment are installed and checked periodically for proper operation.

### WARNING

The safety messages that follow have WARNING level hazards.

These safety messages describe a hazardous situation which, if not avoided, *could* result in death or serious injury.

#### Fire Hazard



Undersized wiring systems can cause an electrical fire.

#### Sever Hazard



NEVER service the Sail-Drive while under tow or if the engine is running at idle speed. The propeller may rotate under these circumstances.

#### Alcohol and Drug Hazard



NEVER operate the engine while under the influence of alcohol or drugs or when feeling ill.

## WARNING

### Exposure Hazard



ALWAYS wear personal protective equipment including appropriate clothing, gloves, work shoes, eye and hearing protection as required by the task at hand.

### Entanglement Hazard



NEVER leave the key in the key switch when you are servicing the Sail-Drive. Someone may accidentally start the engine and not realize you are servicing it.

NEVER operate the engine while wearing a headset to listen to music or radio because it will be difficult to hear the warning signals.

### Burn Hazard



Some of the engine and Sail-Drive surfaces become very hot during operation and shortly after shut-down. Keep hands and other body parts away from hot surfaces.

### Sudden Movement Hazard

ALWAYS stop the engine before beginning service.

### Exhaust Hazard



NEVER block windows, vents, or other means of ventilation if the engine is operating in an enclosed area. All internal combustion engines create carbon monoxide gas during operation and special precautions are required to avoid carbon monoxide poisoning.

**⚠ CAUTION**

The safety messages that follow have **CAUTION** level hazards.

These safety messages describe a hazardous situation which, if not avoided, *could* result in minor to moderate injury.

**Poor Lighting Hazard**

Ensure that the work area is adequately illuminated. **ALWAYS** install wire cages on portable safety lamps.

**Tool Hazard**

**ALWAYS** use tools appropriate for the task at hand and use the correct size tool for loosening or tightening machine parts.

**Exposure Hazard**

**ALWAYS** wear eye protection when servicing the Sail-Drive or when using compressed air or high-pressure water. Dust, flying debris, compressed air, pressurized water or steam may injure your eyes.

**NOTICE**

These notices describe a situation which, if not avoided, can cause damage to the Sail-Drive, personal property and / or the environment or cause equipment to operate improperly.

It is important to perform daily checks as listed in this *Operation Manual*. Periodic maintenance prevents unexpected downtime, reduces the number of accidents due to poor Sail-Drive performance and can help extend the life of the Sail-Drive and engine.



**ALWAYS** be environmentally responsible.

Follow the guidelines of the EPA or other governmental agencies for the proper disposal of hazardous materials such as lubrication oil, diesel fuel and engine coolant. Consult the local authorities or reclamation facility.

**NEVER** dispose of hazardous materials by dumping them into a sewer, on the ground or into ground water or waterways.

### NOTICE

NEVER attempt to modify the Sail-Drive's design or safety features.

- NEVER release or modify the limiting devices such as the engine speed limit, fuel injection limit, etc.
- Modification will impair the safety and performance of the product and shorten product life.
- Modifications to the design, safety or limiting features will void the warranty.

---

If the Sail-Drive oil temperature is too high, stop engine immediately and check the Sail-Drive oil level and check the oil cooler for proper coolant and water flow.

# PRODUCT OVERVIEW

---

## OVERVIEW

### Owner / Operator Responsibilities

The operator must, and assumes all responsibility to:

- Read and understand the operation manual prior to operating the sail drive;
- Perform all safety checks as necessary to ensure safe operation;
- Comply with and follow all lubrication and maintenance instructions and recommendations; and
- Have an authorized Yanmar dealer / distributor perform periodic checkups.

Conducting normal maintenance service and replacing consumable parts as necessary is the responsibility of the owner / operator and necessary to provide the best durability, performance and dependability of the Sail-Drive while keeping your overall operating expenses to a minimum. Individual operating habits and usage may increase the frequency of performing maintenance service condition. Monitor conditions frequently to determine if the maintenance intervals suggested in the manual are frequent enough for Sail-Drive.

### New Sail-Drive Break-In:

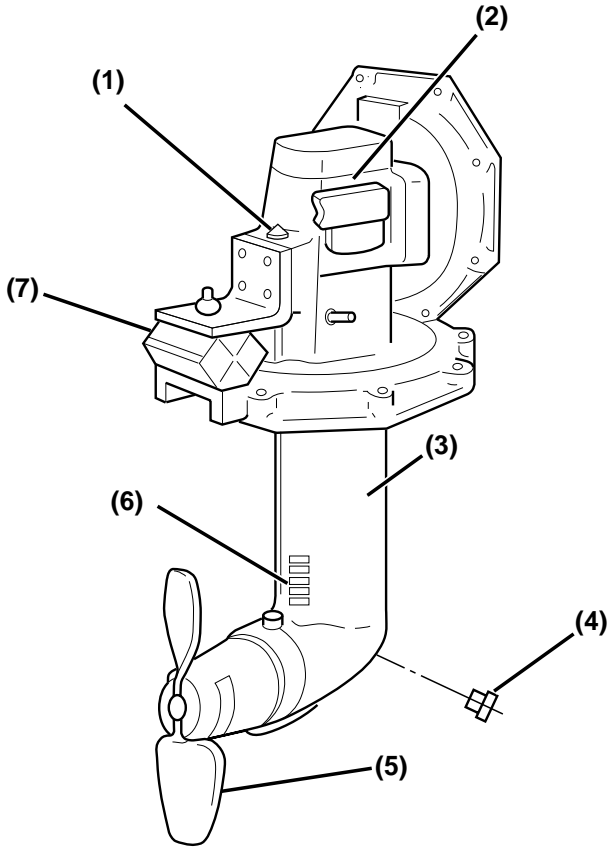
- On the initial engine start-up, allow the engine to idle for approximately 15 minutes while you check for proper Sail-Drive function and Sail-Drive oil leaks.
- During the break-in period, carefully observe Sail-Drive indicators (if any) for proper Sail-Drive function.
- During the break-in period, check the Sail-Drive oil levels frequently.

### Dealer / Distributor Responsibilities

In general, a dealer's responsibilities to the customer include predelivery inspection and preparation such as:

- Ensure that the vessel is properly equipped.
- Prior to delivery, make certain that the Yanmar Sail-Drive and other equipment are in proper operating condition.
- Make all necessary adjustments for maximum efficiency.
- Familiarize the customer with the on-board equipment.
- Explain and demonstrate the operation of the Sail-Drive and vessel.

**COMPONENT IDENTIFICATION**



0006440

**Figure 1**

- |                                       |                           |
|---------------------------------------|---------------------------|
| <b>1 – Dipstick</b>                   | <b>5 – Propeller</b>      |
| <b>2 – Upper Gear Case</b>            | <b>6 – Seawater Inlet</b> |
| <b>3 – Lower Gear Case</b>            | <b>7 – Flexible Mount</b> |
| <b>4 – Lubricating Oil Drain Plug</b> |                           |

## **GALVANIC CORROSION**

Galvanic corrosion results whenever two or more dissimilar metals (like those found on the sail drive) are submerged in a conductive solution, such as saltwater, polluted water or water with a high mineral content because a chemical reaction takes place causing electrical current to flow between the metals. The electrical current flow causes the metal that is most chemically active, or anodic, to erode. If not controlled, galvanic corrosion may corrode stern-drive components.

## **CORROSION CONTROL**

It is the boat designer's responsibility and/or the re-powering engineer's responsibility to design the proper systems and equipment to control and reduce the possibility of galvanic corrosion.

However, it is essential that the owner/operator frequently monitor the anodes for wear, inspect the sail-drive for corrosion and replace the anodes often enough to provide a sacrificial surface for the electrical current to attack. Galvanic isolators are also available from the aftermarket (not supplied by Yanmar) to block stray current while still providing a path to ground for dangerous shock currents.

The rate of corrosion depends on numerous factors, such as:

- the number, size and location of sacrificial anodes on the sail drive and vessel;
- the marina environment, such as stray current in the water, fresh or salt water and use and isolation of shore power;
- improper application of marine paint or antifouling paint;
- failure to repaint damaged areas; and
- how the vessel is bonded.

Please check with the boat builder, dealer or other professional to determine if your vessel and/or Sail-Drive is adequately protected from galvanic corrosion.

If sacrificial anodes erode quickly or if signs of corrosion are evident, the owner should take immediate corrective action. Yanmar recommends consulting an engineer specializing in marine electricity and corrosion control to determine the best way to correct the rapid erosion of the anodes.

### SHORE POWER

Vessels that are connected to shore power require additional protection to prevent destructive low voltage galvanic currents from passing through the shore power ground wire. Galvanic isolators are available from the aftermarket (not supplied by Yanmar) to block these currents while still providing a path to ground for dangerous shock currents.

**NOTICE: If the AC shore power ground is not isolated from the boat ground, sacrificial anodes may be unable to neutralize the increased galvanic potential. Corrosion damage that results from the improper system design or application is not covered by the Yanmar limited warranty.**

### UNDERWATER DRIVE COATING

The lower gear case coating may be damaged when hit by objects in the water, or when having deposits removed from it. The underwater coating must be inspected at least once per year and when it is believed that an object was hit that may have caused damage. Repair and repaint damaged areas immediately.

Observe the following precautions when applying antifouling or marine paint to the transom of the boat hull:

- ALWAYS follow the paint/coating manufacturer's directions for surface preparation and application.
- ALWAYS use a high quality primer and topcoat paint specifically designed for aluminum outboards, Sail-Drives or Stern-Drives.
- NEVER paint the sacrificial anodes installed on the Sail-Drive.
- NEVER paint the Sail-Drive with a material that contains copper or tin.
- NEVER paint over drain holes, sacrificial anodes, or other items specified by the sacrificial anode Manufacturer.

Contact your authorized Yanmar Marine dealer or distributor for assistance.

**NOTICE: Galvanic corrosion damage, normal maintenance and consumable parts are not covered by the Yanmar Limited Warranty.**



# BEFORE YOU OPERATE

---

This section of the *Operation Manual* describes propeller selection, propeller fitting, lubricating oil specifications and how to replenish them. It also describes the daily instrument panel and remote-control device checks.

Before you operate the Sail-Drive, review the *Safety* section on page 3.

## BEFORE YOU OPERATE

---

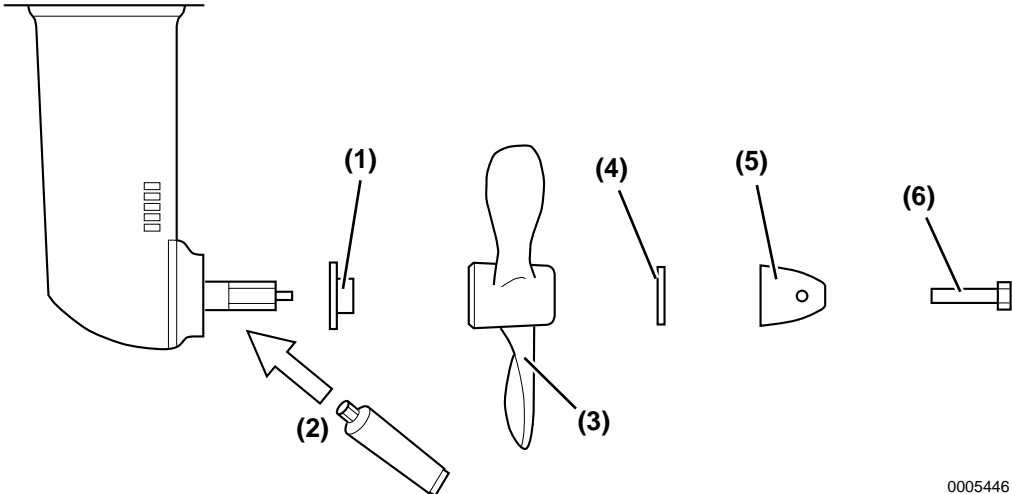
### PROPELLER SELECTION

#### Recommended Propeller Size (Maximum)

Engine Model	Sail-Drive Model	Folding Type Diameter	2-Blade Fixed Type Diameter
1GM10C	SD20	14 in.	14 in.
2YM15		14.5 in.	15 in.
3YM20		15 in.	16 in.
3YM30		16 in.	16.5 in.
3JH4E	SD50	18 in.	18 in.
4JH4AE		18 in.	18 in.
4JH4-TE	SD50-4T	18 in.	18 in.

**NOTICE:** *Make sure the propeller (fixed or folding) has a rubber bushing. If a propeller is used without a rubber bushing, the shaft, bearing and gears of the Sail-Drive will be damaged.*

**Fitting a Fixed Propeller (2-Blade)**



0005446

**Figure 1**

- 1 – Spacer**
- 2 – Grease**
- 3 – Propeller**
- 4 – Washer**
- 5 – Nut \***
- 6 – Bolt \*\***

	<b>Size</b>	<b>Tightening Torque</b>
*	M16 (SD20) M20 (SD50, SD50-4T)	60 to 70 N·m (44 to 52 lb-ft) 80 to 100 N·m (59 to 74 lb-ft)
**	M8 x 75 mm	11 to 15 N·m (8 to 11 lb-ft)

**Locking Procedure for Fixed Propeller Nut (Optional)**

When tightening the nut to 60 to 70 N·m (44 to 52 lb-ft) torque for the SD20, and 80 to 100 N·m (59 to 74 lb-ft) torque for the SD50 and SD50-4T, move the shift lever to ahead and hold the crankshaft V-pulley clamp nut with a wrench to stop the propeller rotating.

## BEFORE YOU OPERATE

### LUBRICATING OIL

The choice of lubricating oil is very important. If an unsuitable oil is used, or an oil change is neglected, it may result in damage and reduce the life of the Sail-Drive. When selecting a lubricating oil, use one of the following:

**Lubricating Oil Chart**

Engine series	GM, YM				JH3, JH4		
Engine model	1GM10C	2YM15	3YM20	3YM30	3JH4E	4JH4AE	4JH4-TE
Sail-Drive model	SD20				SD50		SD50-4T
Lubricating oil for the Sail-Drive	API CC or greater and SAE 10W30	API GL4 or GL5 and SAE 80W90 or 90			API GL4 or GL5 and SAE 80W90 or 90 or Quicksilver® High Performance Gear Lube		Quicksilver® High Performance Gear Lube

Use only oil of quality GL-4 or GL-5 in the API service, and SAE No. 90 or 80W90. (Except model SD20 x 1GM10C & SD50 / SD50-4T).

Use only oil of quality CC or greater in the API service, and SAE No. 10W30. (Applicable model: SD20 x 1GM10C).

#### For SD20 (except if coupled with the 1GM10C) and SD50, SD50-4T

Supplier	Brand Name	API Service	SAE No.
SHELL	Shell Spilax oil EP 90	GL-4	90
SHELL	Shell Spilax oil HD 90	GL-5	90
CALTEX	Multipurpose thuban EP	GL-4/GL-59	90
MOBIL	Mobilub HD 80W-90	GL-5	80W-90
ESSO	Esso gear oil GP 90	GL-4	90
ESSO	Esso gear oil GX 90	GL-5	90

Use Quicksilver®<sup>1</sup> High Performance Gear Lube for the SD50 / SD50-4T.

This lubricating oil is available through all MerCruiser, Mercury, Mariner and Force outlets in their "Quicksilver®" accessories program.

<sup>1</sup> Quicksilver® is a registered trademark of Brunswick Corporation.

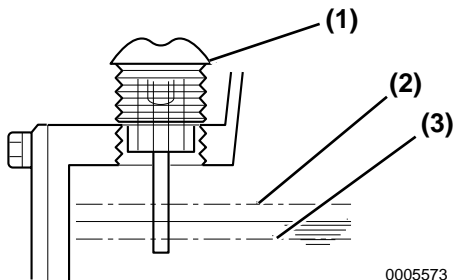
**FILLING WITH LUBRICATING OIL - SD20, SD50 AND SD50-4T**

Sail-Drive model	SD20	SD50, SD50-4T
Standard unit	2.2 L (2.3 qt)	2.2 L (2.3 qt)
Long-reach unit	2.5 L (2.6 qt)	2.35 L (2.5 qt) Extension 58 2.45 L (2.6 qt) Extension 100

**NOTICE:** *The lubricating oil capacity of the standard unit is different from that of the long-reach unit. Confirm the capacity by means of the oil capacity nameplate.*

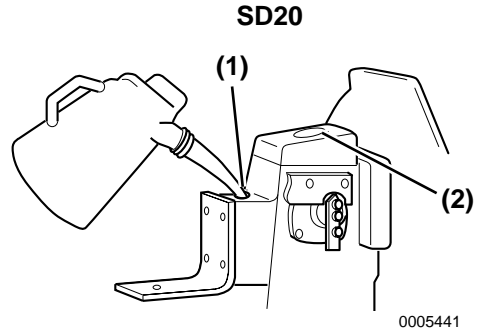
1. Remove the dipstick (yellow cap). Fill with approved lubricating oil.
2. Check the amount of lubricating oil by inserting the dipstick as far as possible. Do not screw the dipstick in (**Figure 3, (1)**). The oil level should reach the upper mark on the dipstick (**Figure 3, (2)**).

**NOTICE:** *It takes about 10 minutes to fill up the Sail-Drive with lubricating oil. Check the oil level 15 minutes after adding the specified quantity of oil.*



**Figure 2**

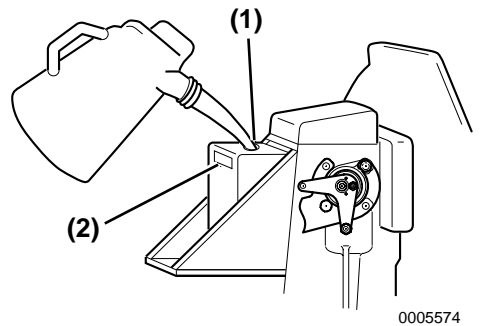
- 1 – Dipstick
- 2 – Upper Limit
- 3 – Lower Limit



**Figure 3**

- 1 – Oil Supply Port
- 2 – Oil Capacity Nameplate

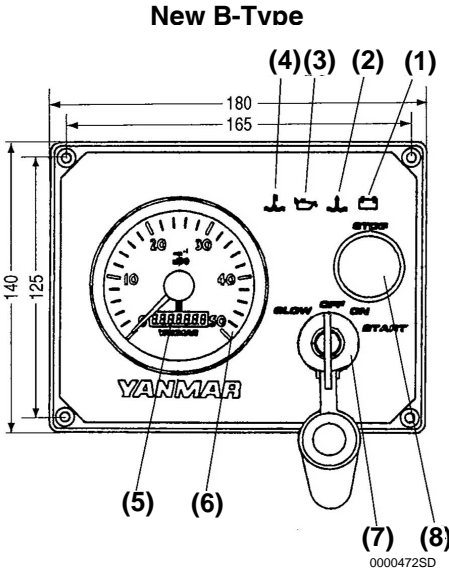
**SD50/SD50-4T**



**Figure 4**

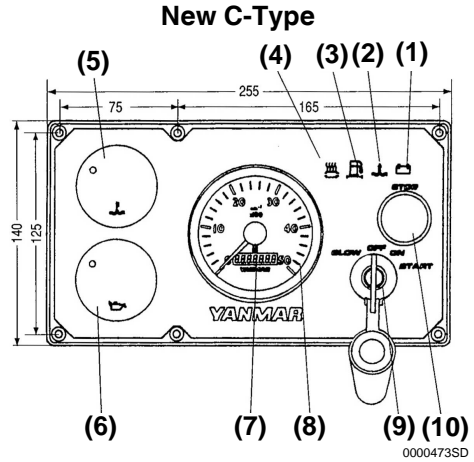
- 1 – Oil Supply Port
- 2 – Oil Capacity Nameplate

**CHECKING THE INSTRUMENT PANEL ALARM SYSTEM**



**Figure 5**

- 1 – Battery Low Charge Alarm
- 2 – Sail-Drive Seal Warning Lamp
- 3 – Engine Oil Low Pressure Lamp
- 4 – Coolant High Temperature Alarm
- 5 – Hour Meter
- 6 – Tachometer
- 7 – Key Switch
- 8 – STOP Button



**Figure 6**

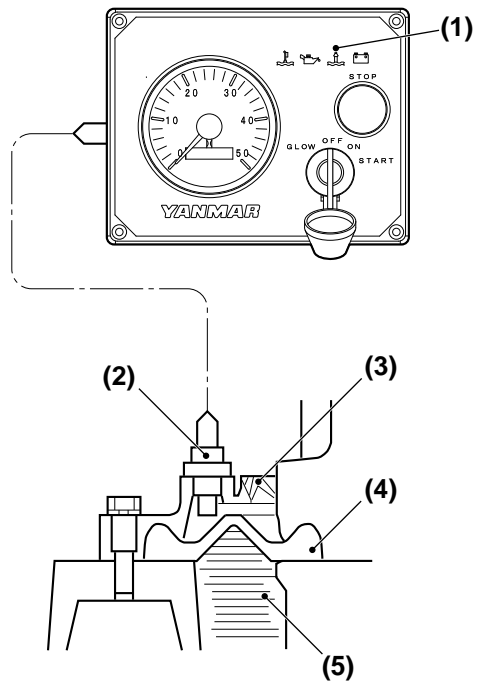
- 1 – Battery Low Charge Alarm
- 2 – Sail-Drive Seal Warning Lamp
- 3 – Fuel Filter Warning Lamp
- 4 – Seawater Insufficient Flow Alarm
- 5 – Coolant Temperature Gauge
- 6 – Engine Oil Pressure Gauge
- 7 – Hour Meter
- 8 – Tachometer
- 9 – Key Switch
- 10 – STOP Button

Turn the battery switch on. Turn the key to the ON position and check the lamps on the panel (**Figure 5, Figure 6**) with the engine off:

1. The lubricating oil warning lamp should be illuminated ((**Figure 5, (3)**), (**Figure 6, (6)**)) .
2. The cooling water temperature warning lamp should be out ((**Figure 5, (4)**), (**Figure 6, (5)**)) .
3. The charge warning lamp should be illuminated ((**Figure 5, (1)**), (**Figure 6, (1)**)) .
4. The rubber seal warning lamp should be out ((**Figure 5, (2)**), (**Figure 6, (2)**)) .
5. The warning buzzer should sound.

*Note: All the above alarm signals will continue until you push the starting button or turn the key to the OFF position.*

**WARNING! The rubber seal alarm lamp warns of seawater entering the vessel. The watertight structure of the Sail-Drive is dual type. Even if the rubber diaphragm A (Figure 7, (5)) is damaged and seawater enters, the rubber diaphragm B (Figure 7, (4)) prevents it from entering the vessel. The rubber seal switch between the rubber diaphragms (Figure 7, (5)) and (Figure 7, (4)) sounds the warning buzzer and lights the rubber seal lamp on the instrument panel. If this happens, stop the engine and under sail, quickly return to the nearest port for repairs.**



019410-01X

**Figure 7**

- 1 – ON (Rubber Seal Lamp)**
- 2 – Rubber Seal Switch**
- 3 – Diaphragm (B)**
- 4 – Diaphragm (A)**
- 5 – Seawater**

### DAILY CHECKS

Before starting the Sail-Drive, make sure it is in good operating condition. Make sure you check the following items:

#### Visual Checks

1. Check for damaged or missing parts.
2. Check for loose, missing or damaged fasteners.
3. Check oil level. *See Filling With Lubricating Oil - SD20, SD50 and SD50-4T on page 17.*
4. Open cooling water cock before operation. Drain cooling water and close cooling water cock after operation. *See Engine Cooling Water on page 25*

**NOTICE:** *If any problem is noted during the visual check, the necessary corrective action should be taken before you operate the engine.*



# SAIL-DRIVE OPERATION

---

Before you operate the Sail-Drive, read the following safety information and review the *Safety* section on page 3.

## WARNING

**The safety messages that follow have WARNING level hazards.**

These safety messages describe a hazardous situation which, if not avoided, *could* result in death or serious injury. To prevent accidental equipment movement, NEVER start the engine in gear.

---

Before starting the engine, ALWAYS make sure that all bystanders are clear of the area. Keep children and pets away while the engine is operating.

---

Avoid unexpected equipment movement. Shift the Sail-Drive into the NEUTRAL position any time the engine is at idle.

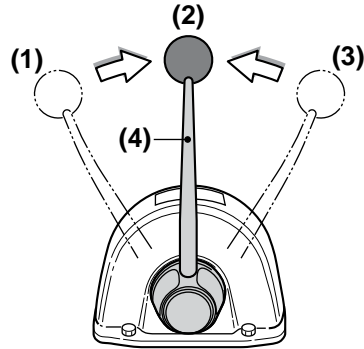
## SAIL-DRIVE OPERATION

### REMOTE CONTROL DEVICE CHECK

#### SD20

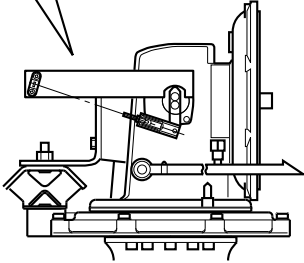
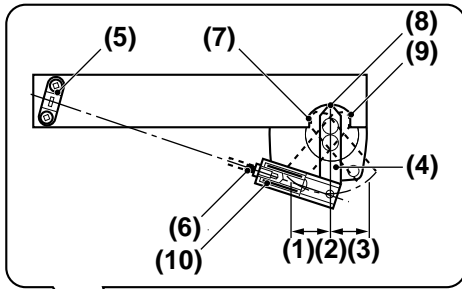
**NOTICE:** Before operating the engine, check *Sail-Drive oil level*. While cranking the engine slowly, shift the control handle of the remote-control head (single lever control) rapidly through NEUTRAL - AHEAD - NEUTRAL - ASTERN. If a shift operation is done slowly, the tip of the clutch dog is worn away by being hammered, and, consequently, the clutch fails to engage. Confirm that the operation lever of the Sail-Drive moves smoothly to AHEAD, ASTERN and NEUTRAL. Because the Sail-Drive SD20 uses a dog clutch, the clutch is not engaged unless the operation lever is moved to the NEUTRAL position.

**NOTICE:** When sailing, set the remote control lever in neutral. Not doing so **WILL** introduce slippage and void your warranty (Figure 1, (2)).



**Figure 1**

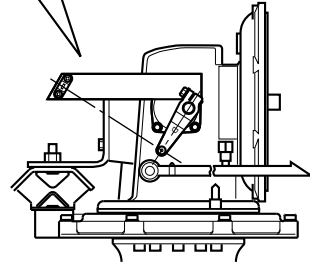
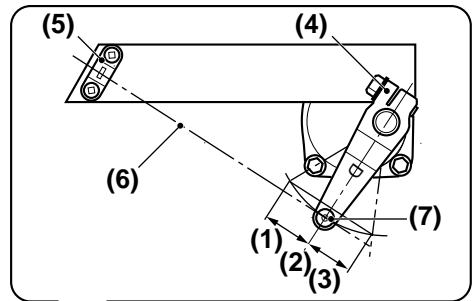
- 1 – Astern**
- 2 – Neutral**
- 3 – Ahead**
- 4 – Control Handle**



019719-00X

**Figure 2**

- 1 – Astern
- 2 – Neutral
- 3 – Ahead
- 4 – Operation Handle
- 5 – Cable Clamp
- 6 – Remote Control Cable
- 7 – Ahead Stop
- 8 – Neutral Position
- 9 – Astern Stop
- 10 – Spring Joint



019720-00X

**Figure 3**

- 1 – Astern
- 2 – Neutral
- 3 – Ahead
- 4 – Operation Lever
- 5 – Cable Clamp
- 6 – Remote Control Cable
- 7 – Pivot

## SAIL-DRIVE OPERATION

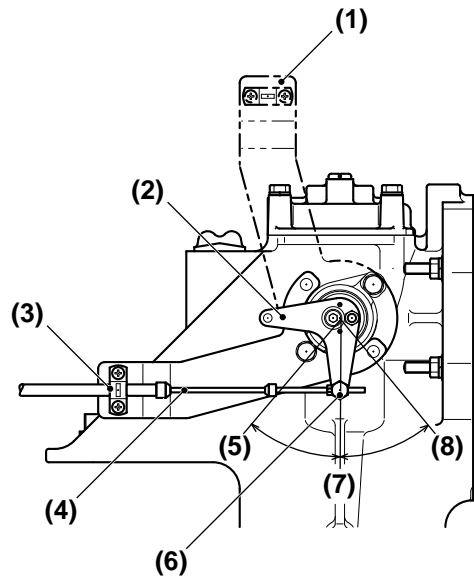
### SD50 / SD50-4T

After starting the engine, check the shift action by using the control head to shift the AHEAD and ASTERN positions. The AHEAD / ASTERN clutch is a mechanical clutch called a cone clutch. Although a grinding noise is made when this type of clutch is engaged, it has no effect on the operation of the engine.

**CAUTION!** *Because of the rubbing produced at the frictional face of the cone clutch, friction is decreased with use and periodic inspection and maintenance is necessary.*

**NOTICE:** *When sailing, set the remote control lever in neutral. Not doing so WILL introduce slippage and void your warranty.*

**NOTICE:** *Running for long periods at low rpm with the Sail-Drive engaged can cause slipping and premature wear of the cone clutch.*



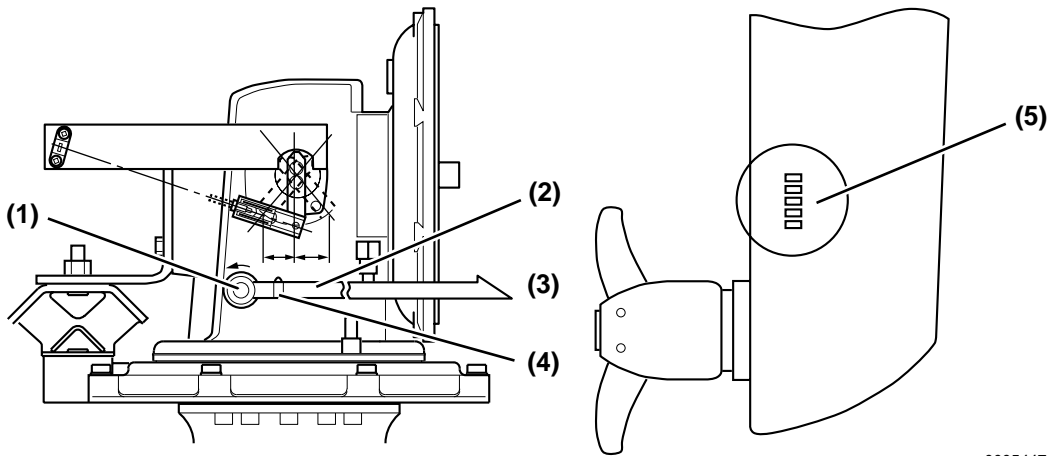
**Figure 4**

- 1 – Mounting Plate at 90° Angle
- 2 – Operation Lever
- 3 – Cable Clamp
- 4 – Remote Control Cable
- 5 – Propeller Shaft Clockwise
- 6 – Pivot
- 7 – Neutral
- 8 – Propeller Shaft Counter-Clockwise

**ENGINE COOLING WATER**

Opening or closing the cooling water system of the engine driving the Sail-Drive is done by the cooling water cock fixed on the upper case of the Sail-Drive. Be sure to open the cock **(Figure 5, (1))** and confirm that the cooling water has suction by cranking the engine before starting the vessel. The cooling water passes through the Sail-Drive case, cools the engine by the cooling water pump, and is then discharged.

**SD20**



0005447

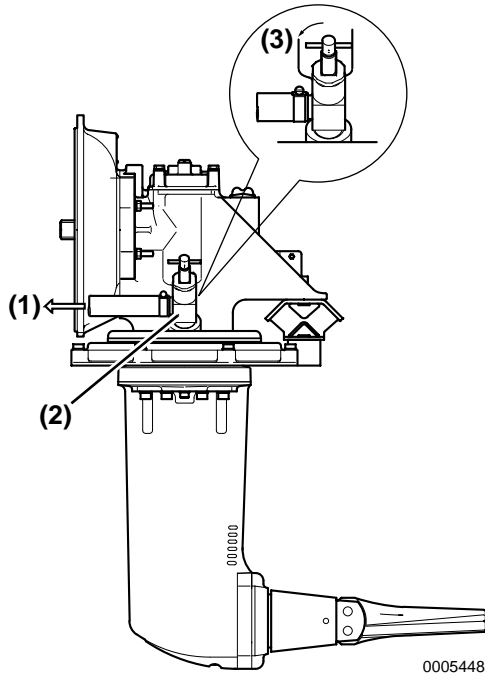
**Figure 5**

- 1 – Cooling Water Cock**
- 2 – Cooling Water Hose**
- 3 – To Cooling Water Pump**

- 4 – Hose Clamp**
- 5 – Seawater Inlet**

# SAIL-DRIVE OPERATION

## SD50 / SD50-4T



**Figure 6**

- 1 - To Cooling Water Pump**
- 2 - Cooling Water Cock**

**3 - Open**

# MAINTENANCE

---

Before you perform maintenance on the Sail-Drive, read the following safety information and review the *Safety* section on page 3.

This section of the Operation Manual describes the procedures for proper care and maintenance of the Sail-Drive.

## WARNING

The safety messages that follow have **WARNING** level hazards.

These safety messages describe a hazardous situation which, if not avoided, *could* result in death or serious injury.

### Sever Hazard



NEVER wear jewelry, unbuttoned cuffs, ties or loose fitting clothing and ALWAYS tie long hair back when working near moving / rotating parts. Keep hands, feet and tools away from all moving parts.

---

Always remove any tools or shop rags used during maintenance from the area before operation.

---

NEVER service the Sail-Drive while under tow or if the engine is running at idle speed. The propeller may rotate under these circumstances.

---

ALWAYS stop the engine before you begin to service the Sail-Drive and secure the propeller so it will not turn.

## WARNING

### **Electrical Shock Hazard**



ALWAYS turn off the battery switch (if equipped) or disconnect the negative battery cable before servicing the Sail-Drive.

---

ALWAYS keep the electrical connectors and terminals clean. Check the electrical harnesses for cracks, abrasions, and damaged or corroded connectors.

## CAUTION

The safety messages that follow have CAUTION level hazards.

These safety messages describe a hazardous situation which, if not avoided, *could* result in minor or moderate injury.

### **Slipping and Tripping Hazard**



---

Ensure that adequate floor space is set aside for servicing Sail-Drive. The floor space must be clean, flat and free of spilled liquids and debris to prevent slipping or tripping.



### NOTICE

These notices describe a situation which, if not avoided, *can* cause damage to the Sail-Drive, personal property and / or the environment, or cause equipment to operate improperly.

Always tighten components to the specified torque. Loose parts can cause equipment damage or cause it to operate improperly.

---

Only use replacement parts specified. Other replacement parts may affect warranty coverage.

---

NEVER attempt to modify the Sail-Drive's design or safety features. Failure to comply may impair the marine gear's safety and performance characteristics and shorten the Sail-Drive's life. Any alterations to this Sail-Drive may affect the warranty coverage of your Sail-Drive.

### TIGHTENING FASTENERS

Use the correct amount of torque when tightening fasteners. Applying excessive torque may damage the fastener or component and too little torque may cause a leak or component failure.



The tightening torque in the Standard Torque Chart should be applied only to the bolts with a “7” head. (JIS strength classification: 7T).

Apply 60% torque to bolts that are not listed.

Apply 80% torque when tightened to aluminum alloy.

# TORQUE CHARTS

## Standard Torque Values

	<b>M6 x 1.0</b>	<b>M8 x 1.25</b>	<b>M10 x 1.25 or 1.5</b>	<b>M12 x 1.25 or 1.5</b>	<b>M14 x 1.5</b>	<b>M16 x 1.5</b>
Cast Iron or Steel	10.8 ± 1.0 N·m 8.0 ± 0.8 lb-ft	25.5 ± 2.0 N·m 18.8 ± 1.5 lb-ft	49.1 ± 4.9 N·m 36.2 ± 3.6 lb-ft	88.3 ± 10.0 N·m 65.1 ± 7.4 lb-ft	137.2 ± 4.9 N·m 101.2 ± 3.6 lb-ft	225.4 ± 10.0 N·m 166.2 ± 7.4 lb-ft
Aluminum	8.8 ± 1.0 N·m 6.5 ± 0.8 lb-ft	20.6 ± 2.0 N·m 15.2 ± 1.5 lb-ft	39.2 ± 2.0 N·m 28.9 ± 1.5 lb-ft	70.6 ± 4.9 N·m 52.1 ± 3.6 lb-ft	109.8 ± 4.9 N·m 81.0 ± 3.6 lb-ft	180.3 ± 10.0 N·m 133.0 ± 7.4 lb-ft

## Standard Torque Chart

<b>Thread size × Pitch mm</b>	<b>M6×1.0</b>	<b>M8×1.25</b>	<b>M10×1.5</b>	<b>M12×1.75</b>	<b>M14×1.5</b>	<b>M16×1.5</b>
Tightening Torque	lb-in.	96.0 ± 9.0	-	-	-	-
	lb-ft	-	19.0 ± 2.0	36.0 ± 4.0	65.0 ± 7.0	101.0 ± 7.0
	N·m	10.8 ± 1.0	25.5 ± 2.9	49.0 ± 4.9	88.3 ± 9.8	137.0 ± 9.8
	kgf-m	1.1 ± 0.1	2.6 ± 0.3	5.0 ± 0.5	9.0 ± 1.0	14.0 ± 1.5

# MAINTENANCE

---

## Periodic Maintenance

**CAUTION!** *Establish a periodic maintenance plan according to the Sail-Drive application and make sure you perform the required periodic maintenance at intervals indicated. Failure to follow these guidelines will impair the Sail-Drive's safety and performance characteristics, shorten the Sail-Drive's life and may affect the warranty coverage on your Sail-Drive.*

### The Importance of Periodic Maintenance

Sail-Drive deterioration and wear occur in proportion to the length of time the Sail-Drive has been in service and the conditions it is subjected to during operation. Periodic maintenance prevents unexpected downtime, reduces the number of accidents due to poor Sail-Drive performance and helps extend the life of the Sail-Drive.

### The Importance of Daily Checks

The Periodic Maintenance Table assumes that the daily checks are performed on a regular basis. Make a habit of performing daily checks before the start of each operating day. See *Filling With Lubricating Oil - SD20, SD50 and SD50-4T on page 17*, *Checking the Instrument Panel Alarm System on page 18* and *Engine Cooling Water on page 25*, and refer to the *Operation Manual* for your engine.

## Keep a Log of Sail-Drive Hours and Daily Checks

Keep a log of the number of hours the Sail-Drive is run each day and a log of the daily checks performed. Also note the date, type of repair (e.g., replaced bearings), and parts used for any service needed between the periodic maintenance intervals. Failure to perform periodic maintenance will shorten the life of the Sail-Drive.

## Yanmar Replacement Parts

Yanmar recommends that you use genuine Yanmar parts when replacement parts are needed. Genuine replacement parts help ensure long Sail-Drive life.

## Tools Required

Before you start any periodic maintenance procedure, make sure you have the tools you need to perform all of the required tasks.

### **Ask Your Authorized Yanmar Marine Dealer or Distributor For Help**

Our professional service technicians have the expertise and skills to help you with any maintenance or service related procedures.

Daily and periodic maintenance is important to keep the Sail-Drive in good operating condition. The following is a summary of maintenance items by periodic maintenance intervals. Periodic maintenance intervals vary depending on Sail-Drive application and are hard to establish definitively. The following should be treated only as a general guideline.

*Note: These procedures are considered normal maintenance and are performed at the owner's expense.*

# MAINTENANCE

## PERIODIC MAINTENANCE TABLE

○: Check or Clean ◇: Replace ●: Contact your authorized Yanmar Marine dealer or distributor								
	Daily	50 Hours Or After 1 Month	Every 100 Hours	Every 250 Hours	Every 500 hours	Every Year	Every 2 Years	Every 2000 Hours
<b>Lubricating Oil</b>								
Check Oil Level, Fill If Necessary	Before operation ○							
Change Lubricating Oil		First ◇	SD20 ◇	SD50, SD50-4T ◇				
<b>Cooling Water</b>								
Open/Close Cooling Water Cock	Before / after operation ○							
Clean Cooling Water Suction Hole						○		
Drain Cooling Water	After operation ○							
<b>Remote Control System</b>								
Inspect Remote Control Device						○		
<b>Cone Clutch and Shifter</b>								
Inspect / replace or lap					●			
Replace the cone-clutch								●
<b>Zinc Anode</b>								
Inspect And Replace Zinc Anode			◇					
<b>Lower Case</b>								
Repair Case Coating						●		

# MAINTENANCE

○: Check or Clean ◇: Replace ●: Contact your authorized Yanmar Marine dealer or distributor								
	Daily	50 Hours Or After 1 Month	Every 100 Hours	Every 250 Hours	Every 500 hours	Every Year	Every 2 Years	Every 2000 Hours
<b>Boat Hull Water-Tightness</b>								
Inspect Rubber Diaphragm							○	
Inspect Seal Sensor						○		
<b>Flexible Mount</b>								
Inspect and/or replace the flexible mount, mounting height						●		
Replace the flexible mount								●

### WHEN THE VESSEL IS OUT OF THE WATER, PERFORM THE FOLLOWING:

#### Removing Deposits From The Lower Gear Case

Remove seaweed, seashells and other marine growth from the lower gear case. Completely remove deposits around the cooling water intake (**Figure 1, (2)**) since the engine may overheat if the cooling water intake amount is insufficient.

#### Repairing Damaged Coating

The lower gear case coating may be damaged when hit by objects in the water, or when having deposits removed from it. NEVER use paint containing copper or tin. This will damage the drive and void the warranty. Use a high quality primer and topcoat paint specifically designed for aluminum outboards or stern-drives. Follow the manufacturer's directions for surface preparation and application. Contact your authorized Yanmar Marine dealer or distributor for assistance.

#### Inspecting the Zinc Anode

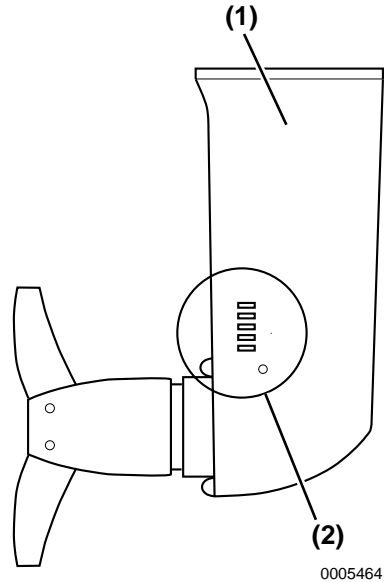
See *Inspecting and Replacing the Zinc Anode* on page 46.

#### Inspecting The Folding Propeller

Confirm that the blade of the folding propeller opens smoothly. Inspect for wear on the blade-fixing pins, replacing them when wear is excessive. Apply seawater-proof grease to the pins in the blade gear and propeller shaft.

#### Draining Water

Drain the engine cooling water, together with the water in the Sail-Drive case. If this water is not drained, freezing may cause the engine block and / or the Sail-Drive case to crack.



**Figure 1**

- 1 – Lower Gear Case**
- 2 – Seawater Inlet**



## PERIODIC MAINTENANCE PROCEDURES

### After Initial 50 Hours of Operation

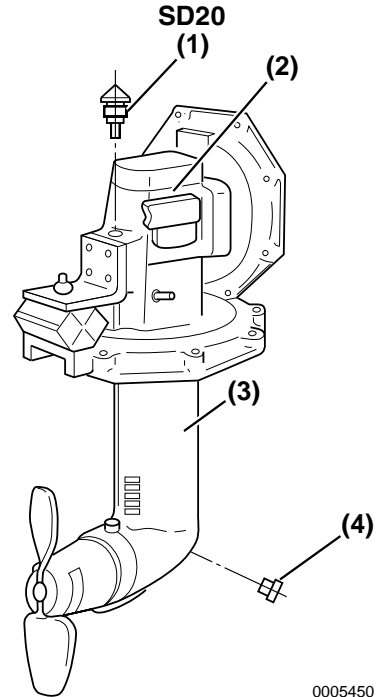
Perform the following procedures after the first 50 hours of operation.

- Draining and Replacing Lubricating Oil
- Inspecting and Replacing the Clutch Shifter

### Draining and Replacing Lubricating Oil - SD20

When the vessel is out of the water, drain the oil by removing the lower gear case drain plug, and the upper gear case oil dipstick.

**CAUTION! Let the drive unit cool at least 5 minutes after operation before removing the oil drain plug. Hot oil could spurt out forcefully if the drain plug is removed from the drive unit immediately after operation.**



0005450

Figure 2

- 1 – Dipstick
- 2 – Upper Gear Case
- 3 – Lower Gear Case
- 4 – Lubricating Oil Drain Plug

### Inspecting and Replacing the Clutch Shifter

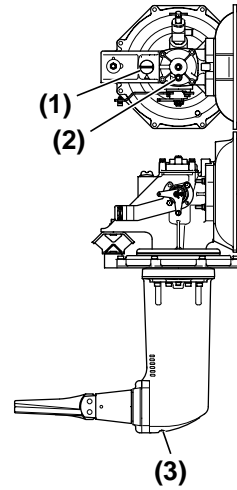
See your authorized Yanmar dealer or distributor for procedure.

## MAINTENANCE

### Draining and Replacing Lubricating Oil - SD50 / SD50-4T

Lubricating oil should be changed while the engine is still warm. **CAUTION! Let the drive unit cool at least 5 minutes after operation before removing the oil drain plug. Hot oil could spurt out forcefully if the drain plug is removed from the drive unit immediately after operation.**

SD50 / SD50-4T



0005451

**Figure 3**

- 1 – Dipstick
- 2 – Plug
- 3 – Drain Plug

**Equipment Used**

<b>Description</b>	<b>Part Code</b>	<b>Quantity</b>	<b>Remarks</b>
Bottle of Quicksilver® High Performance Gear Lube from MerCruiser®	MerCruiser® Part code 92-850743A1	2	Each bottle contains 0.946 L (1 qt) of oil. Mandatory for SD50, SD50-4T. For other models see p. 7.
Market pump from MerCruiser® on bottle	MerCruiser® Part code 91-85729A1	1	-
Adapter joint	196311-92960	1*	Thread std. M10 x 1.5 maximum length 12 mm.
O-ring for adapter	24311-000100	1*	-
Stiff rubber hoses	-	2	Inner diameter 14 to 16 mm (0.5 to 0.625 in.) plus hose clips (If Yanmar part is used, part code is 196440-92970).
Compressor set	-	1	-
Hand pump	28210-000080	1	Optional parts

\* When vessel is out of the water, 2 are required.

# MAINTENANCE

## When Vessel Is In The Water

### Preparing the Sail-Drive

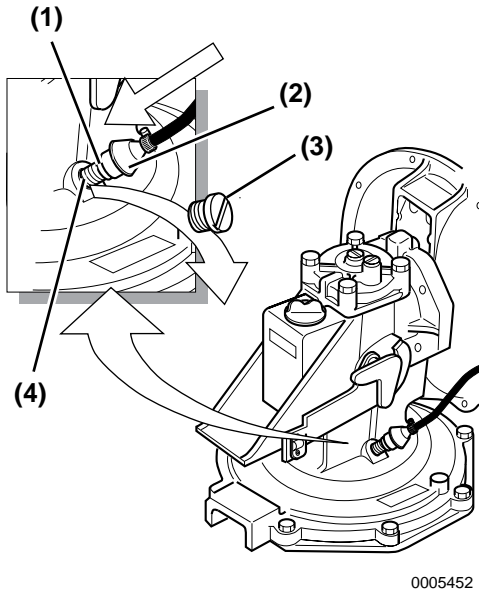


Figure 4

- 1 – O-Ring
- 2 – Adapter Joint
- 3 – Oil Changing Plug
- 4 – Thread M10x1.5

1. Remove the oil changing plug located under the shift lever.
2. Screw in an adapter joint with an O-ring. When using your own adapter joint, the maximum length of thread should be 12 mm.
3. Attach a stiff rubber hose (inner diameter 14 to 16 mm [0.5 to 0.625 in.]) with hose clips to the adapter joint at the oil changing position (**Figure 4, (2)**). The hose must be long enough to reach the bucket or pump. If a Yanmar original rubber hose is to be used, the part number is 196440-92970.

## Removing Oil

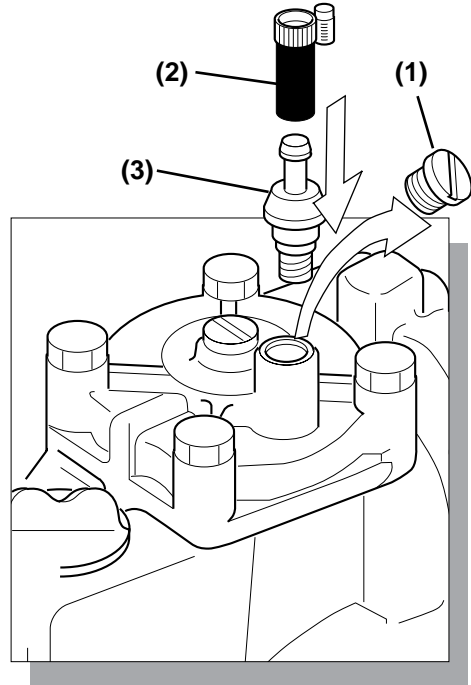


Figure 5

- 1 – Plug
- 2 – Air Pressure Hose
- 3 – Adapter Joint

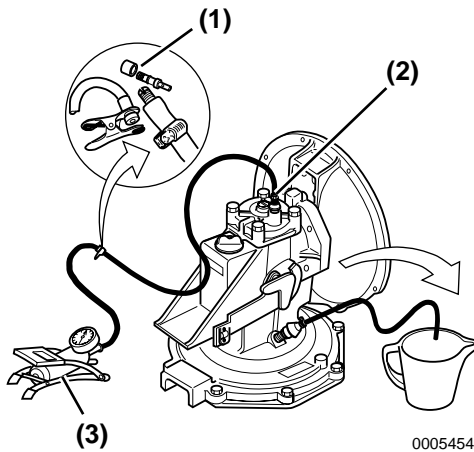
### Fastest Way: Blowing Out by using Air Pressure

*Note: Use Compressed Air (0.5 to 1 Bar [7.25 to 14.5 psi]) from main system, 12 V portable compressor or from portable hand pump or foot pump. **WARNING! ALWAYS wear safety glasses when using compressed air.***

1. Take out the plug from the upper case cover.
2. Screw in a second adapter joint with an O-ring at the oil inlet position. Screw in the oil plug at the dipstick position.
3. Connect the air pressure hose with hose clips.

## Option 1: Using Compressed air from main system or 12 V portable compressor.

1. Connect a hose to the top adapter joint and to a compressed air source (**Figure 5, (2)**). Within 10 to 15 minutes almost all oil will be blown out.



**Figure 6**

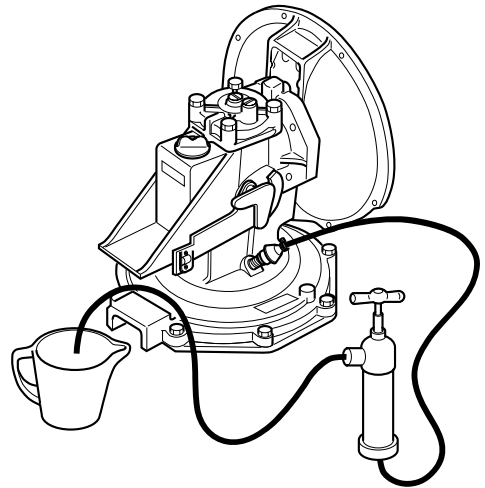
- 1 – One-Way (Non-Return) Valve
- 2 – Adapter Joint Screwed Into Cover
- 3 – Foot Pump

## Option 2: Using Compressed air with help from a portable hand pump or foot pump

1. Install a one-way (non-return) valve (**Figure 6, (1)**) into the pressure line. This is done to maintain pressure during use of the pump.
2. Connect the hand pump or foot pump with pressure line to the adapter joint (**Figure 6, (2)**).
3. Pump out the oil until empty. The first 0.9 L (1 qt) will take approximately 3 minutes. The second part takes more time as mostly air will be pumped out; this will take approximately 12 minutes.

## Using Yanmar Pump

Refer to *Preparing the Sail-Drive on page 40* and *Fastest Way: Blowing Out by using Air Pressure on page 40*.



0005455

**Figure 7**

Connect the hand pump with hoses as shown above (**Figure 7**), and start pumping. Be aware that oil has to flow down through restricted parts of the casing and then back up again, so pressure will initially be high and pumping will be difficult. Pausing for a few minutes will help. After pumping out about 0.9 L (1 qt) of oil, mostly you will be pumping out air, but continuous pumping is necessary. Though approximately 100 to 200 ml (0.1 to 0.2 qt) of old oil will remain in the drive unit, it will not cause a problem when mixed with clean oil.

The hand pump and rubber hose are available from Yanmar, and are optional parts for SD50 / SD50-4T. Any type of hand pump or rubber hose (inner diameter 14 to 16 mm [0.5 to 0.625 in.]) available from your local supplier can be used.

# MAINTENANCE

## Replacing Oil

Refer to *Filling With Lubricating Oil - SD20, SD50 and SD50-4T* on page 17.

### Fastest way: By using MerCruiser pump or simple market pump

Refer to *Preparing the Sail-Drive* on page 40.

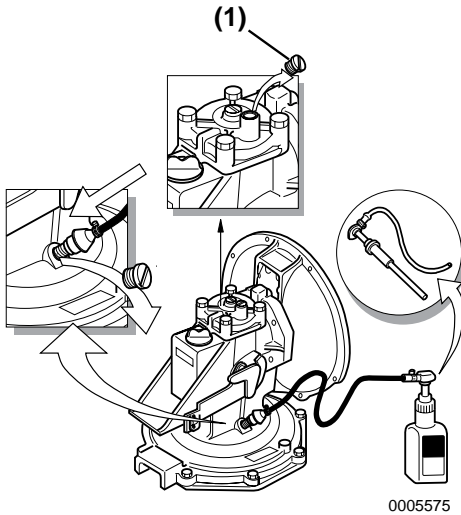


Figure 8

### 1 – Plug

1. Use a MerCruiser® pump like the one shown (**Figure 8**) or use a similar pump available locally.
2. Attach the pump to a new bottle of Quicksilver® High Performance Gear Lube from MerCruiser®.
3. Connect the hose with a hose clip to the adapter joint below the shift lever.
4. Remove the plug from the upper case cover (**Figure 8, (1)**).
5. Operate the pump to fill the Sail-Drive with oil. After bottle is empty, change the bottle while the pump and hose remain connected to the adapter joint.
6. After filling, first screw in and tighten the plug at the top cover (**Figure 8, (1)**). Then remove the oil bottle, pump, hose and adapter joint and screw in the oil plug with a gasket.

## Using Yanmar Hand Pump

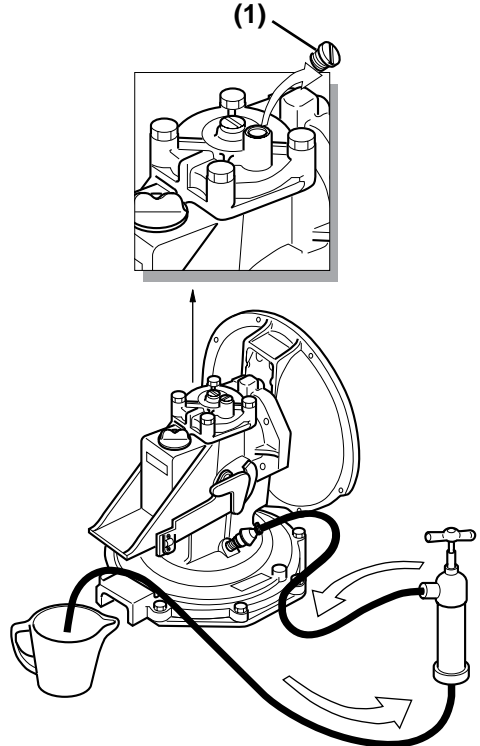


Figure 9

### 1 – Plug

1. Connect the hoses as shown above (Figure 9).
2. Remove the plug from the upper case cover (Figure 9, (1)).
3. Operate the pump to fill the Sail-Drive with oil. Be aware that oil has to flow down through restricted parts of the casing and then back up again, so pressure will initially be high and pumping will be difficult. Pausing for a few minutes will help. The hand pump and rubber hose are available from Yanmar, and are optional parts for SD50 / SD50-4T. Any type of hand pump or rubber hose (inner diameter 14 to 16 mm [0.5 to 0.625 in.]) available locally can be used.
4. After filling, first screw in and tighten the plug at the top cover. Then remove the hand pump, hose and adapter joint and screw in the oil plug with a gasket.

### Not Using Pump

Refer to *Filling With Lubricating Oil - SD20, SD50 and SD50-4T* on page 17.

## When The Vessel Is Out Of The Water

### Preparing The Sail-Drive

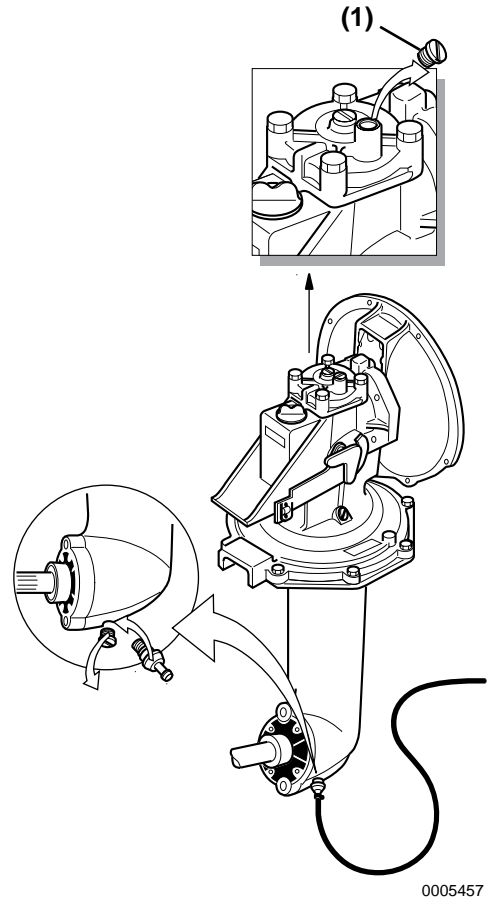


Figure 10

### 1 – Plug

1. Remove the bottom drain plug.
2. Screw in the adapter joint with the O-ring. When using own adapter joint, maximum length of thread is 12 mm.
3. Attach a stiff rubber hose with an inner diameter of 14 to 16 mm (0.5 to 0.625 in.) with hose clips to the adapter joint at the oil drain position. The hose must be long enough to drain to the bucket.
4. Remove the dipstick and oil inlet plug from the upper case cover.

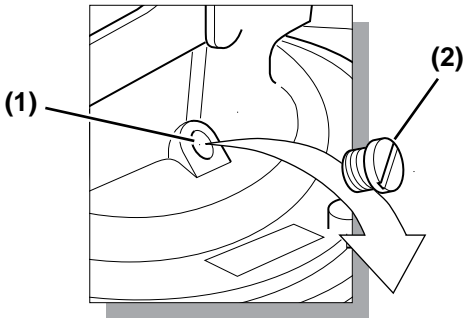
# MAINTENANCE

## Removing Oil By Draining

Refer to *Preparing The Sail-Drive on page 43*.

Oil draining is possible when the vessel is out of the water but will take a greater amount of time.

1. After approximately 0.6 L (0.6 qt) has been drained, remove the oil changing plug. If you remove the plug before this, oil may spill out because maximum oil level is higher than the plug.



0005458

**Figure 11**

- 1 – Thread M10x1.5
- 2 – Oil Changing Plug

## Fastest way: Blowing out by using Air pressure

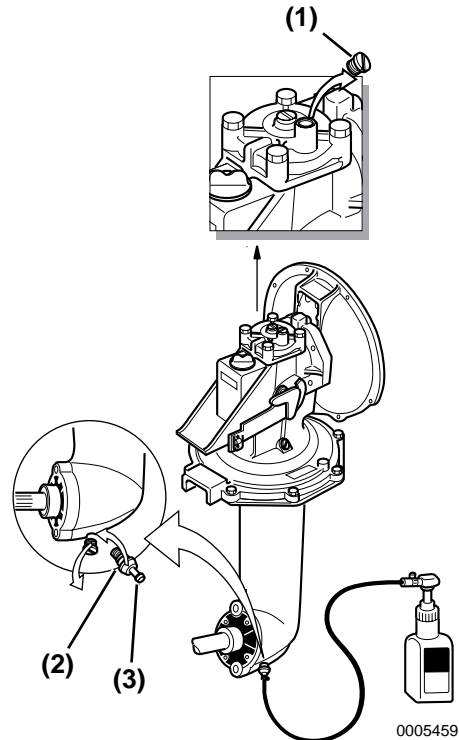
Refer to *Preparing the Sail-Drive on page 40*, then to *Fastest Way: Blowing Out by using Air Pressure on page 40*. Be aware that oil is divided into two channels connected by the lower gear and lower drain port.

## Replacing Oil

Refer to *Filling With Lubricating Oil - SD20, SD50 and SD50-4T on page 17*.

## Using MerCruiser® Pump or simple market pump

Refer to *Preparing The Sail-Drive on page 43*.



0005459

**Figure 12**

- 1 – Plug
- 2 – O-Ring
- 3 – Adapter Joint

1. Use a MerCruiser® pump with like the one shown above (**Figure 12**), or use a similar pump available locally.
2. Attach the pump to a new bottle of Quicksilver® High Performance Gear Lube from MerCruiser®.
3. Remove the oil changing plug from below the shift lever.
4. Connect the hose with a hose clip to the adapter joint at the drain position.

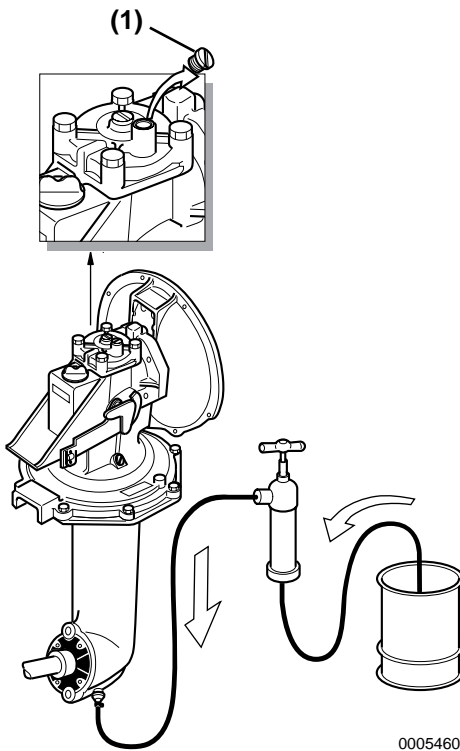


5. Take out the plug from the upper case cover.
6. Pump the oil into the drive. After the first bottle is empty, screw in the oil changing plug.
7. Change the bottle while the pump and hose remain connected to the adapter joint.
8. After filling, first screw in and tighten the plug at the top cover. Then remove the oil bottle, pump, hose and adapter joint and screw in the oil drain plug.

3. Pump the oil into the drive. Be aware that oil has to flow up through restricted parts of the drive, so pumping will be hard. Waiting a few minutes will help. After pumping in about 1 L (1.1 qt) of oil, screw in the oil changing plug. Be aware that the drain hose can easily slip out of the bucket and cause oil spilling. The hand pump and rubber hose are available from Yanmar, and are optional parts for SD50 / SD50-4T. Any type of hand pump or rubber hose of inner diameter 14 to 16 mm (0.5 to 0.625 in.) available locally can be used.

## Using Yanmar Hand Pump

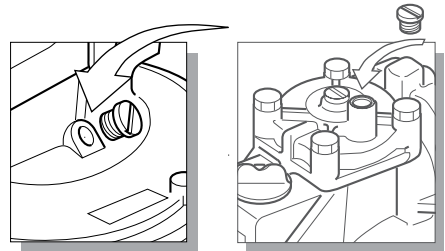
Refer to *Preparing The Sail-Drive on page 43*.



**Figure 13**

### 1 – Plug

1. Connect the hose from the bottom and a suction hose to the Yanmar pump with hose clip (**Figure 13**).
2. Take out the plug from the upper case cover (**Figure 13, (1)**).



**Figure 14**

4. After filling, first screw in and tighten the plug at the top cover. Then remove the pump, hose and adapter joint and screw in the oil drain plug.

### By not using pump

Refer to *Filling With Lubricating Oil - SD20, SD50 and SD50-4T on page 17*.

# MAINTENANCE

## Every 100 Hours of Operation

Perform the following maintenance every 100 hours of operation.

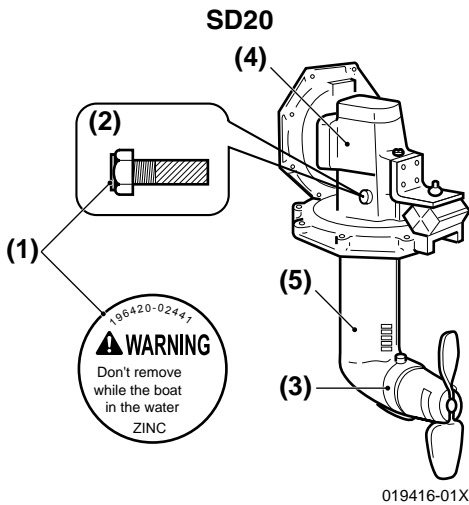
- **Changing the Lubricating Oil (SD20)**
- **Inspecting and Replacing the Zinc Anode**

### Changing the Lubricating Oil (SD20)

See *Draining and Replacing Lubricating Oil - SD20* on page 37.

### Inspecting and Replacing the Zinc Anode

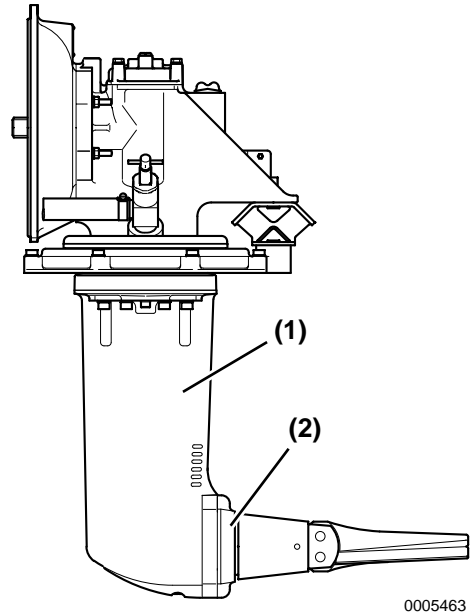
To prevent corrosion of the Sail-Drive body by sea or lake water, replace the zinc anode every 100 hours of operation, once every six months or when it has reduced to half of the original volume (size).



**Figure 15**

- 1 – Safety Label**
- 2 – Zinc Anode**
- 3 – Zinc Anode**
- 4 – Upper Gear Case**
- 5 – Lower Gear Case**

## SD50/SD50-4T



**Figure 16**

- 1 – Lower Gear Case**
- 2 – Zinc Anode**

A zinc anode is provided on the lower gear case. To inspect and replace the zinc anode on the lower gear case, the vessel must be removed from the water.

*Note: An optional two-part zinc anode is available from Yanmar for the lower gear case. This option may allow the zinc anode in the lower gear case to be changed without removing the vessel from the water.*

### Optional Two-Part Zinc Anode Information

Part Number	Description	Qty.
196440-02660	anode	2
196440-02690	mounting plate	2
196440-02700	flat head bolt	4
26453-080202	8 X 20 bolt	2

## Every 250 Hours of Operation

Perform the following maintenance every 250 hours of operation.

- **Changing the Lubricating Oil (SD50, SD50-4T)**
- **Inspecting and Replacing the Clutch Shifter**

### **Changing the Lubricating Oil (SD50, SD50-4T)**

*See Draining and Replacing Lubricating Oil - SD50 / SD50-4T on page 38.*

### **Inspecting and Replacing the Clutch Shifter**

See your authorized Yanmar dealer or distributor for procedure.

## Every 500 Hours of Operation

- **Inspecting and / or Replacing the Cone-Clutch**

### **Inspecting and / or Replacing the Cone-Clutch**

See your authorized Yanmar dealer or distributor for procedure.

# MAINTENANCE

## Every Year

Perform the following maintenance every year of operation.

- **Cleaning Cooling Water Suction Hole**
- **Inspecting Remote Control Device**
- **Repairing Case Coating**
- **Inspecting Seal Sensor**
- **Inspecting and / or Replacing the Flexible Mount**

### Cleaning Cooling Water Suction Hole

See *Removing Deposits From The Lower Gear Case* on page 36.

### Inspecting Remote Control Device

See *Remote Control Device Check* on page 22.

### Repairing Case Coating

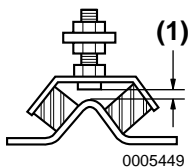
See *Repairing Damaged Coating* on page 36.

### Inspecting Seal Sensor

See **Figure 7** on page 15. See your authorized Yanmar Marine dealer or distributor for inspection procedure.

### Inspecting and / or Replacing the Flexible Mount

Replace if clearance is less than 1 mm (**Figure 17, (1)**). See your authorized Yanmar Marine dealer or distributor for procedure.



**Figure 17**

## Every 2 Years

- **Inspecting and Replacing Rubber Diaphragm Seal Ring**

### Inspecting and Replacing Rubber Diaphragm Seal Ring

#### Rubber diaphragms (A) and (B) (SD20 & SD50, SD50-4T)

The rubber diaphragms (A) and (B) of the Sail-Drive are important parts for the hull and crew safety. Since rubber degenerates during use, be sure to replace them every two years. The vessel must be lifted onto a block for this procedure. To replace, consult your Yanmar Marine dealer.

**Every 2000 Hours of Operation**

- **Replacing the Flexible Mount**
- **Replacing the Cone-Clutch**

**Replacing the Flexible Mount**

See your authorized Yanmar dealer or distributor for procedure. Flexible Mount must be replaced every 2000 hours.

**Replacing the Cone-Clutch**

See your authorized Yanmar dealer or distributor for procedure.

**This Page Intentionally Left Blank**

# SPECIFICATIONS

Model		SD20	SD50	SD50-4T	
Reduction Gear System		Constant mesh gear with dog clutch	Cone clutch		
Direction Of Rotation	Input Shaft	Counterclockwise viewed from stern			
	Propeller Shaft	Counter-clockwise viewed from stern	Counter-clockwise or clockwise viewed from stern		
Reduction Ratio	Ahead	2.64	2.32		
	Astern	2.64	2.32		
Propeller Speed (rpm)		1364	1293	1337	
Lubrication System		Oil bath type			
Lubricating Oil Capacity	Standard Unit	2.2 L (2.3 qt)	2.2 L (2.3 qt)		
	Long-Reach Unit	2.5 L (2.4 qt)	2.35 L (Extension 58) [2.5 qt], 2.45 L (Extension 100) [2.6 qt]		
Dry Weight		30 kg (66 lb)	39 kg (86 lb)	41 kg (90 lb)	
Remote-Control Device	Control Head	Single control lever			
	Cable	MORSE 33C (equivalent)			
Applicable Engine Model (Maximum Rated Output Power At Crankshaft)		1GM10C 6.7 kW (9.1 hp) / 3600 rpm 2YM15 10.3 kW (14 hp) / 3600 rpm 3YM20 16.2 kW (22 hp) / 3600 rpm 3YM30 22.1 kW (30 hp) / 3600 rpm	3JH4E 29.4 kW (40 hp) / 3000 rpm 4JH4AE 39.6 kW (53 hp) / 3000 rpm 4JH4-TE 55.2 kW 75.1 hp) / 3200 rpm		

*Note: A propeller with rubber bushing must be used in all SD series Sail-Drives.*

*Note: 1 hp metric = 0.7355 kW*

**This Page Intentionally Left Blank**



# SYSTEM DIAGRAMS

---

Color coding for wiring diagrams	
R	Red
B	Black
W	White
Y	Yellow
L	Blue
O	Orange
L/B	Blue/Black

Color coding for wiring diagrams	
W/L	White/Blue
Y/W	Yellow/White
W/R	White/Red
L/R	Blue/Red
W/B	White/Black
R/B	Red/Black

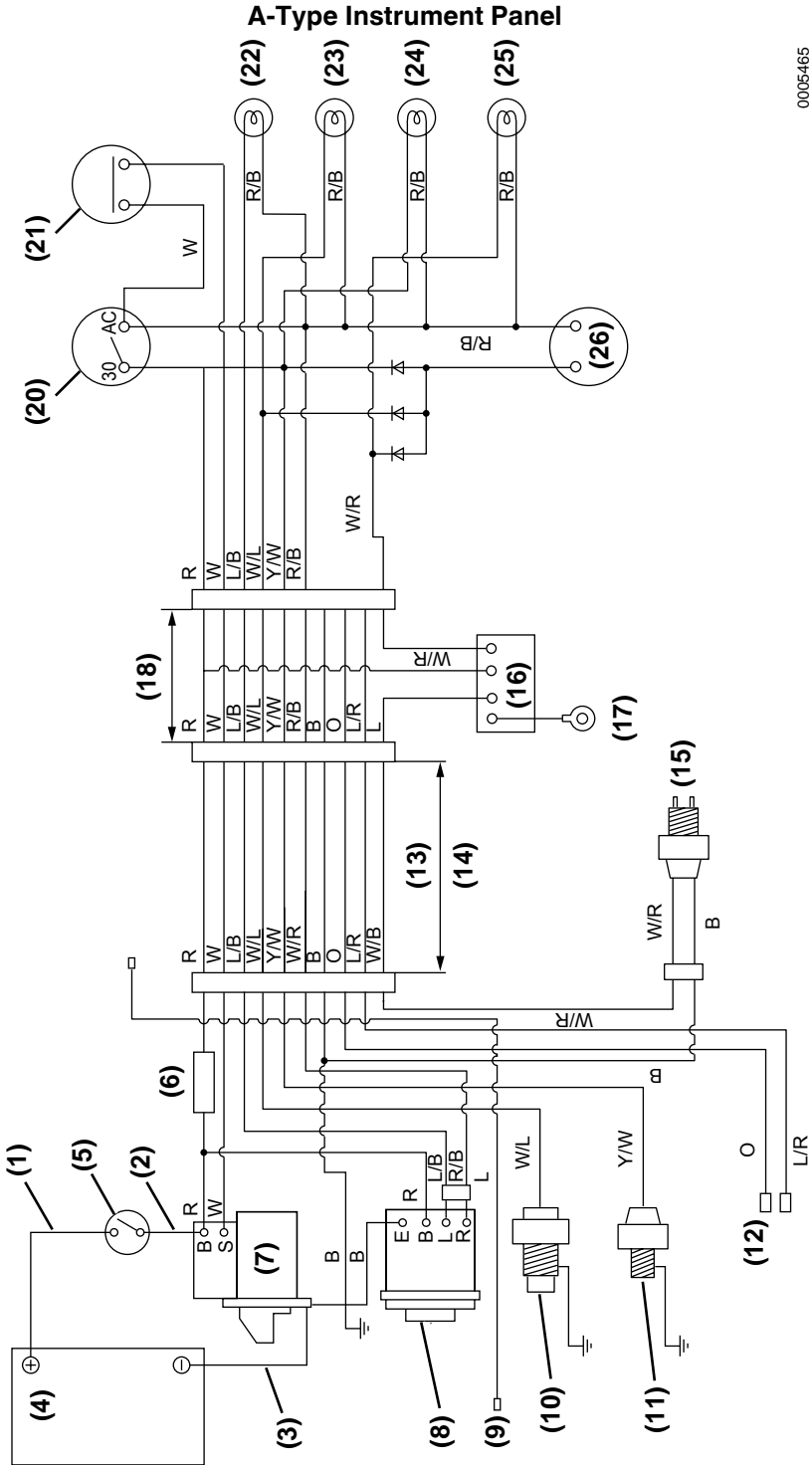


Figure 1

0005465

<b>A-Type Instrument Panel</b>	
Applicable Engine Model: 1GM10C	
1	Cable, battery to switch
2	Cable, switch to starter
3	Cable, battery to starter
4	Battery Recommended capacity GM, 12V-70AH 1GM, 12V-100AH (Minimum)
5	Battery switch
6	FUSE
7	Starter motor
8	Alternator
9	Not used
10	Cooling Water temp. switch
11	L.O. pressure switch
12	Spare connector
13	Extension cable 3 m [9.8 ft] (Standard)
14	The total length extension cable must be less than 6 m (19.7 ft)
15	Rubber seal switch (Sail-Drive)
16	Amplifier
17	Ground
18	Sail-Drive extension cable 0.3 m (1 ft)
19	Not used (Except 1GMC)
20	Key switch
21	Push button switch
22	Charge lamp
23	Cooling Water temp. lamp
24	L.O. pressure lamp
25	Rubber seal lamp (Sail-Drive)
26	Buzzer

*Note: If the cross-sectional area of the wire being used is equal to or less than 20 mm<sup>2</sup> (approximately AWG 4), the combined lengths of items 1, 2 and 3 must be less than 2.5 m (8.2 ft).*

*If the cross-sectional area of the wire being used is equal to or less than 40 mm<sup>2</sup> (approximately AWG 1), the combined lengths of items 1, 2 and 3 must be less than 5 m (16.4 ft).*

*Note: Battery, battery switch and cables are not supplied by Yanmar.*

B-Type Instrument Panel

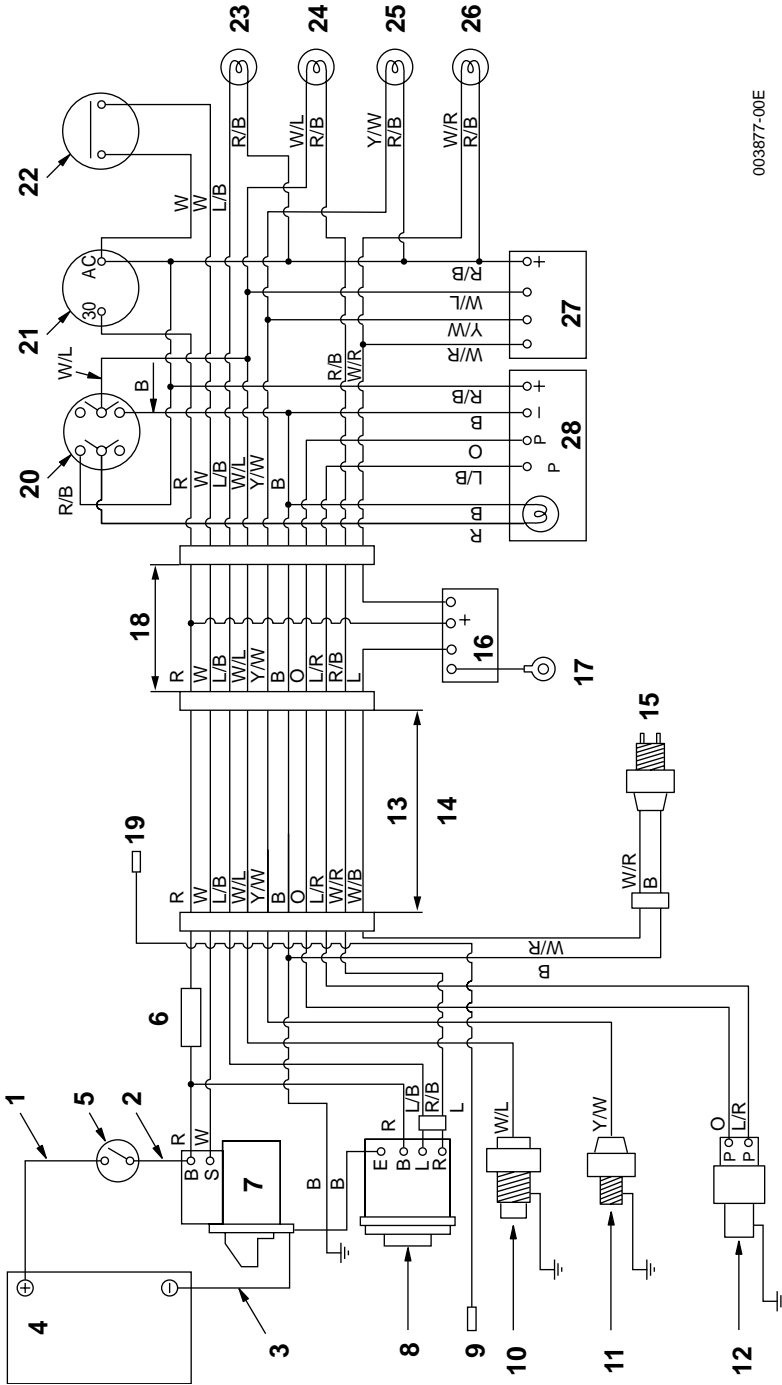


Figure 2

003877-00E

<b>B-Type Instrument Panel</b>	
Applicable Engine Model: 1GM10C	
1	Cable, battery to switch
2	Cable, switch to starter
3	Cable, battery to starter
4	Battery Recommended capacity GM, 12V-70AH 1GM, 12V-100AH (Mini.)
5	Battery switch
6	FUSE
7	Starter motor
8	Alternator
9	Not used
10	Cooling Water temp. switch
11	L.O. pressure switch
12	Tachometer sender
13	Extension cable 3 m. (Standard)
14	The total length extension cable must be less than 6 m.
15	Rubber seal switch (Sail-Drive)
16	Amplifier
17	Ground
18	Sail-Drive extension cable 0.3 m.
19	Not used (Except 1GMC)
20	Light switch
21	Key switch
22	Push button switch
23	Charge lamp
24	Cooling Water temp. lamp
25	L.O. pressure lamp
26	Rubber seal lamp (Sail-Drive)
27	Buzzer
28	Tachometer

*Note: If the cross-sectional area of the wire being used is equal to or less than 20 mm<sup>2</sup> (approximately AWG 4), the combined lengths of items 1, 2 and 3 must be less than 2.5 m (8.2 ft).*

*If the cross-sectional area of the wire being used is equal to or less than 40 mm<sup>2</sup> (approximately AWG 1), the combined lengths of items 1, 2 and 3 must be less than 5 m (16.4 ft).*

*Note: Battery, battery switch and cables are not supplied by Yanmar.*

## 4JH4-TE with B x B Type Panel

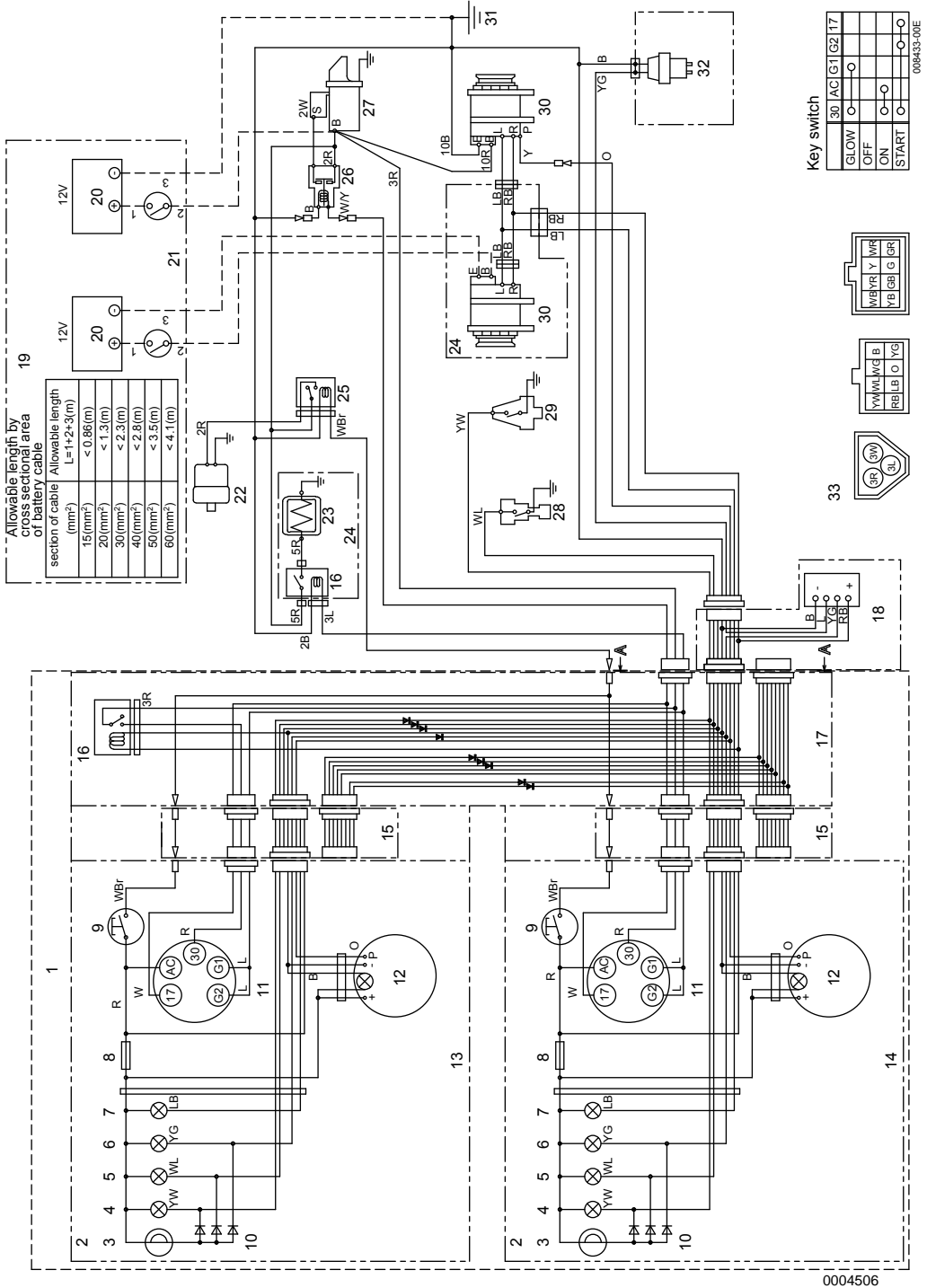


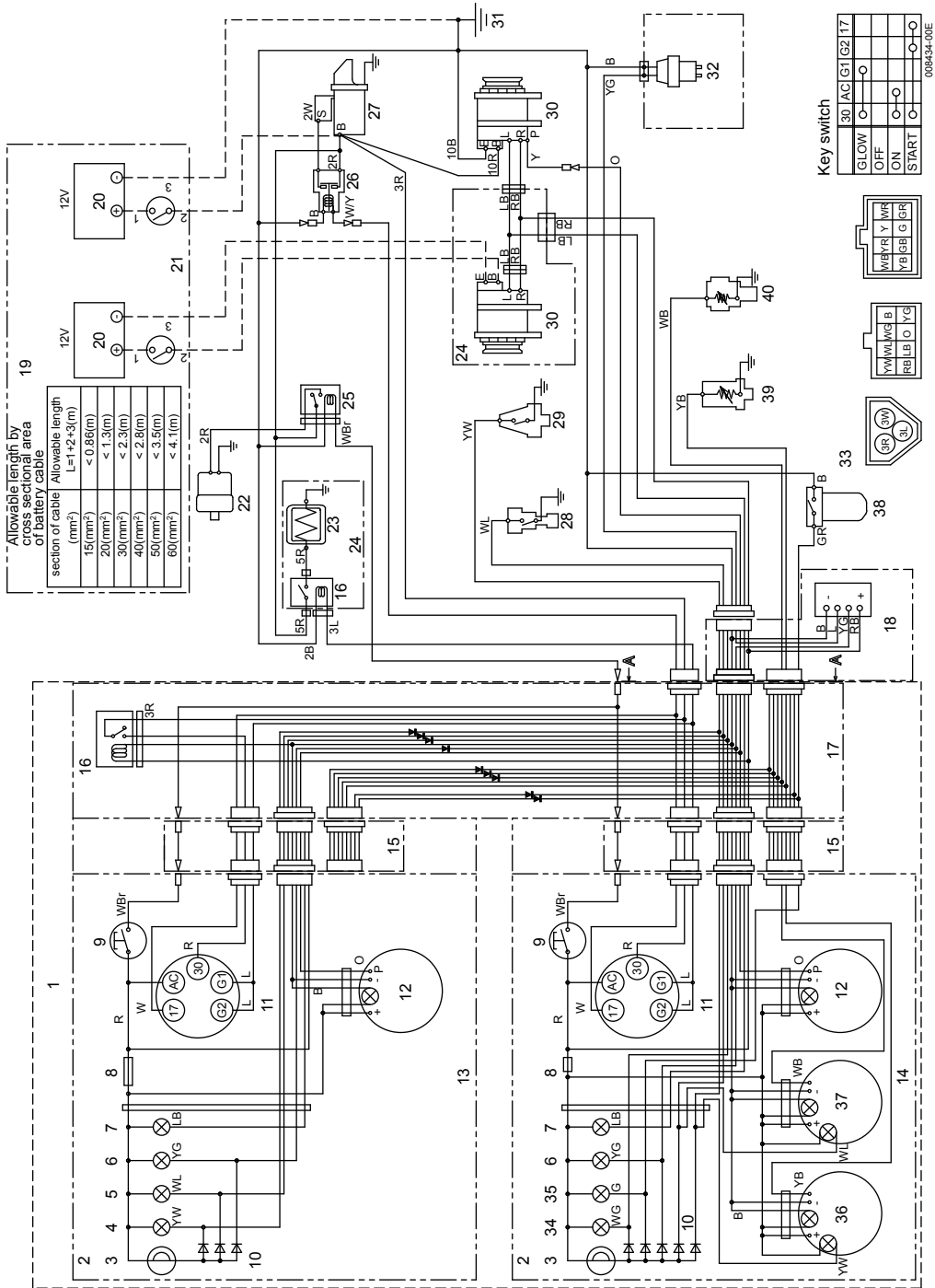
Figure 3

## 4JH4-TE with B x B Type Panel

Color Coding		Engine Harness
R	Red	+
B	Black	-
W	White	Ignition
L	Blue	Air heater / glow (option)
RB	Red / Black	Alternator exciter
LB	Blue / Black	Alternator charge alarm
YW	Yellow / White	Engine oil pressure alarm
YB	Yellow / Black	Engine oil pressure
YG	Yellow / Green	Sail drive seal
WL	White / Blue	Water temperature alarm
WB	White / Black	Water temperature
WG	White / Green	Seawater flow alarm
GR	Green / Red	Fuel filter alarm
O	Orange	Pulse for tachometer
WBr	White / Brown	Electric stop

1	Option
2	Alarm Lamps
3	Buzzer
4	Oil Pressure
5	Coolant Temperature
6	Sail Drive Seal
7	Battery Low Charge Alarm
8	Fuse (3A)
9	Stop Switch
10	Diodes
11	Key Switch
12	Tachometer / Hour Meter
13	Instrument panel (sub station) (Option)
14	Instrument panel (main station) (Option)
15	Wire Harness
16	Relay
17	Wire Harness for Sub Panel
18	Amplifier (Sail Drive Only)
19	Procured by Customer
20	Battery
21	Battery Switch
22	Engine Stop Solenoid with VE Pump
23	Air Heater
24	Option
25	Stop Relay
26	Starter Relay
27	Starter
28	Coolant Temperature Switch
29	Engine Oil Pressure Switch
30	Alternator
31	Earth bolt (ground)
32	Sail Drive Only
33	Details of Coupler (View from A-A)

4JH4-TE with C x B Type Panel



0004507

Figure 4



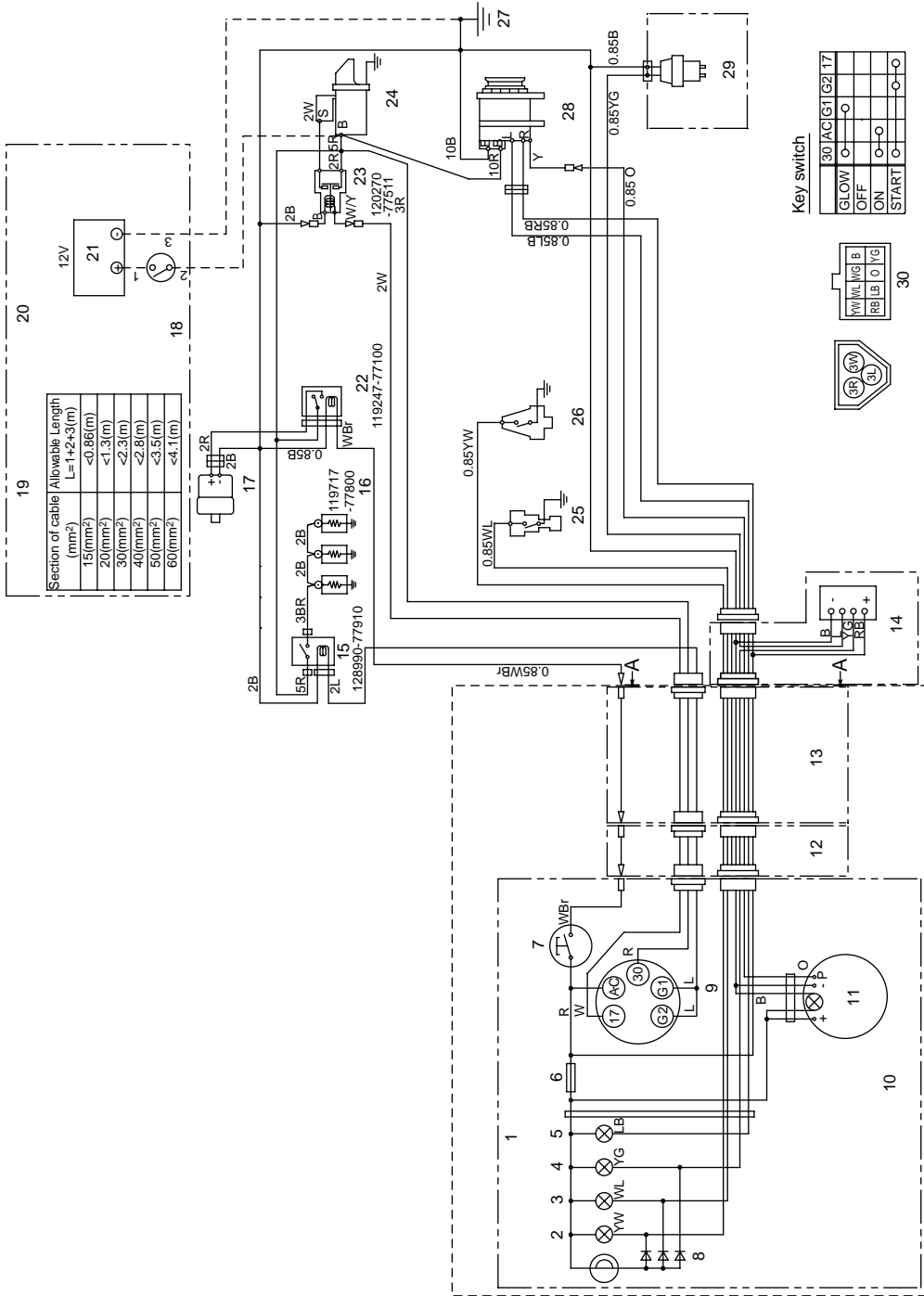
## 4JH4-TE with C x B Type Panel

Color Coding		Engine Harness
R	Red	+
B	Black	-
W	White	Ignition
L	Blue	Air heater / glow (option)
RB	Red / Black	Alternator exciter
LB	Blue / Black	Alternator charge alarm
YW	Yellow / White	Engine oil pressure alarm
YB	Yellow / Black	Engine oil pressure
YG	Yellow / Green	Sail drive seal
WL	White / Blue	Water temperature alarm
WB	White / Black	Water temperature
WG	White / Green	Seawater flow alarm
GR	Green / Red	Fuel filter alarm
O	Orange	Pulse for tachometer
WBr	White / Brown	Electric stop

1	Option
2	Alarm Lamps
3	Buzzer
4	Oil Pressure
5	Coolant Temperature
6	Sail Drive Seal
7	Battery Low Charge Alarm
8	Fuse (3A)
9	Stop Switch

10	Diodes
11	Key Switch
12	Tachometer / Hour Meter
13	Instrument Panel (sub station) (Option)
14	Instrument panel (main station) (Option)
15	Wire Harness
16	Relay
17	Wire Harness for Sub Panel
18	Amplifier (Sail Drive Only)
19	Procured by Customer
20	Battery
21	Battery Switch
22	Engine Stop Solenoid with VE Pump
23	Air Heater
24	Option
25	Stop Relay
26	Starter Relay
27	Starter
28	Coolant Temperature Switch
29	Engine Oil Pressure Switch
30	Alternator
31	Earth bolt (ground)
32	Sail Drive Only
33	Details of Coupler (View from A-A)
34	Seawater
35	Fuel Filter
36	Oil Pressure Meter / Alarm
37	Water Temperature Meter / Alarm
38	Fuel Filter Switch
39	Oil Pressure Sender
40	Coolant Temperature Sender

## B-Type Instrument Panel for 3YM30, 3YM20 and 2YM15



003880-00E

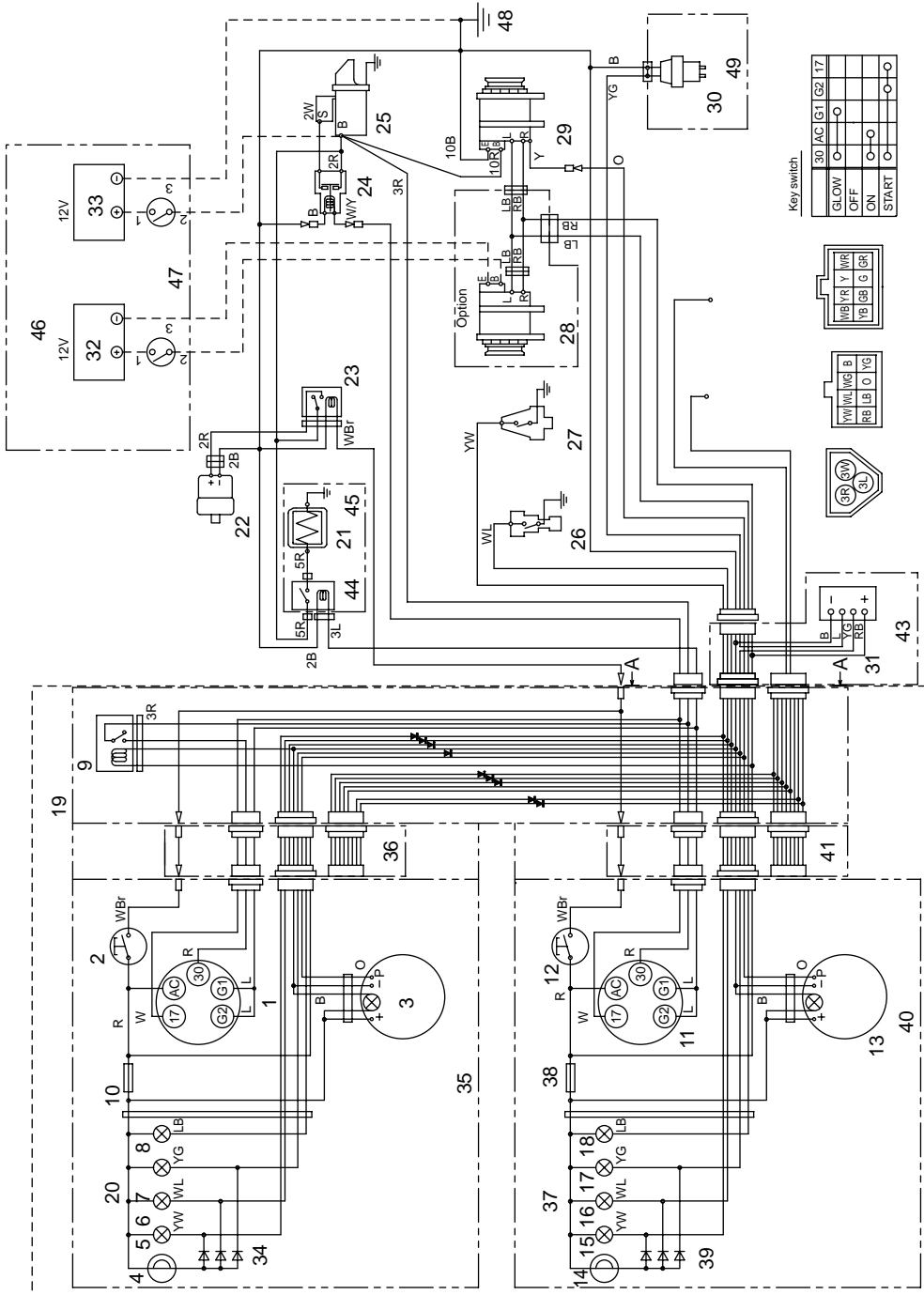
Figure 5

## B-Type Instrument Panel for 3YM30, 3YM30, 3YM20 and 2YM15

Color Coding	
R	Red
B	Black
W	White
L	Blue
RB	Red / Black
LB	Blue / Black
YW	Yellow / White
YG	Yellow / Green
WL	White / Blue
WG	White / Green
GR	Green / Red
O	Orange
WBr	White / Brown

1	Alarm Lamps
2	Buzzer Oil Pressure
3	CFW Temperature
4	Sail Drive Seal
5	Charge
6	Fuse (3A)
7	Stop Switch
8	Diodes
9	Key Switch
10	Instrument Panel
11	Tachometer Hour Meter
12	Wire Harness Option (L=3M)
13	Wire Harness Option (L=6M)
14	Amplifier (only for Sail Drive)
15	Relay
16	Glow Plug
17	Engine Stop Solenoid
18	Battery Switch
19	Allowable Length by Cross Sectional Area of Battery Cable
20	Procured by Customer
21	Battery
22	Stop Relay
23	Starter Relay
24	Starter
25	C.W. Temperature Switch
26	Engine Oil Pressure Switch
27	Earth Bolt
28	Alternator
29	Sail Drive Only
30	Coupler (View from A-A)

B-Type Instrument Panel for 3JH4E



003881-00E

Figure 6

## B-Type Instrument Panel for 3JH4E

Color Coding	
R	Red
B	Black
W	White
L	Blue
RB	Red / Black
LB	Blue / Black
YW	Yellow / White
YB	Yellow / Black
YG	Yellow / Green
WL	White / Blue
WB	White / Black
WG	White / Green
GR	Green / Red
O	Orange
WBr	White / Brown

1	Starter Switch
2	Stop Switch
3	Tachometer / Hour Meter
4	Buzzer
5	Lubricating Oil Low Pressure Alarm
6	Coolant High Temperature Alarm
7	Water in Sail Drive Seal Alarm
8	Battery Low Charge Alarm
9	Relay (for 2 Station: Option)
10	Fuse (3A)
11	Starter Switch
12	Stop Switch
13	Tachometer / Hour Meter
14	Buzzer
15	Lubricating Oil Low Pressure Alarm
16	Coolant High Temperature Alarm
17	Water in Sail Drive Seal Alarm

18	Battery Low Charge Alarm
19	Option
20	Alarm Lamps
21	Air Heater (Option)
22	Engine Stop Solenoid
23	Stop Relay
24	Starter Relay
25	Starter
26	Coolant High Temperature Switch
27	Lubricating Oil Low Pressure Switch
28	Alternator (Option)
29	Alternator
30	Water in Sail Drive Seal Sensor (on Sail Drive)
31	Water in Sail Drive Seal Sensor Amplifier (Sail Drive Only)
32	Battery (Option)
33	Battery
34	Diodes
35	Instrument Panel (Sub Station) (Option)
36	Wire Harness
37	Alarm Lamps
38	Fuse (3A)
39	Diodes
40	Instrument Panel (Main Station) (Option)
41	Wire Harness
42	Wire Harness for Sub Panel
43	Only for Sail Drive
44	Relay
45	Option
46	Procured by Customer
47	Battery Switch
48	Ground Bolt
49	Only for Sail Drive

C-Type Instrument Panel for 3JH4E

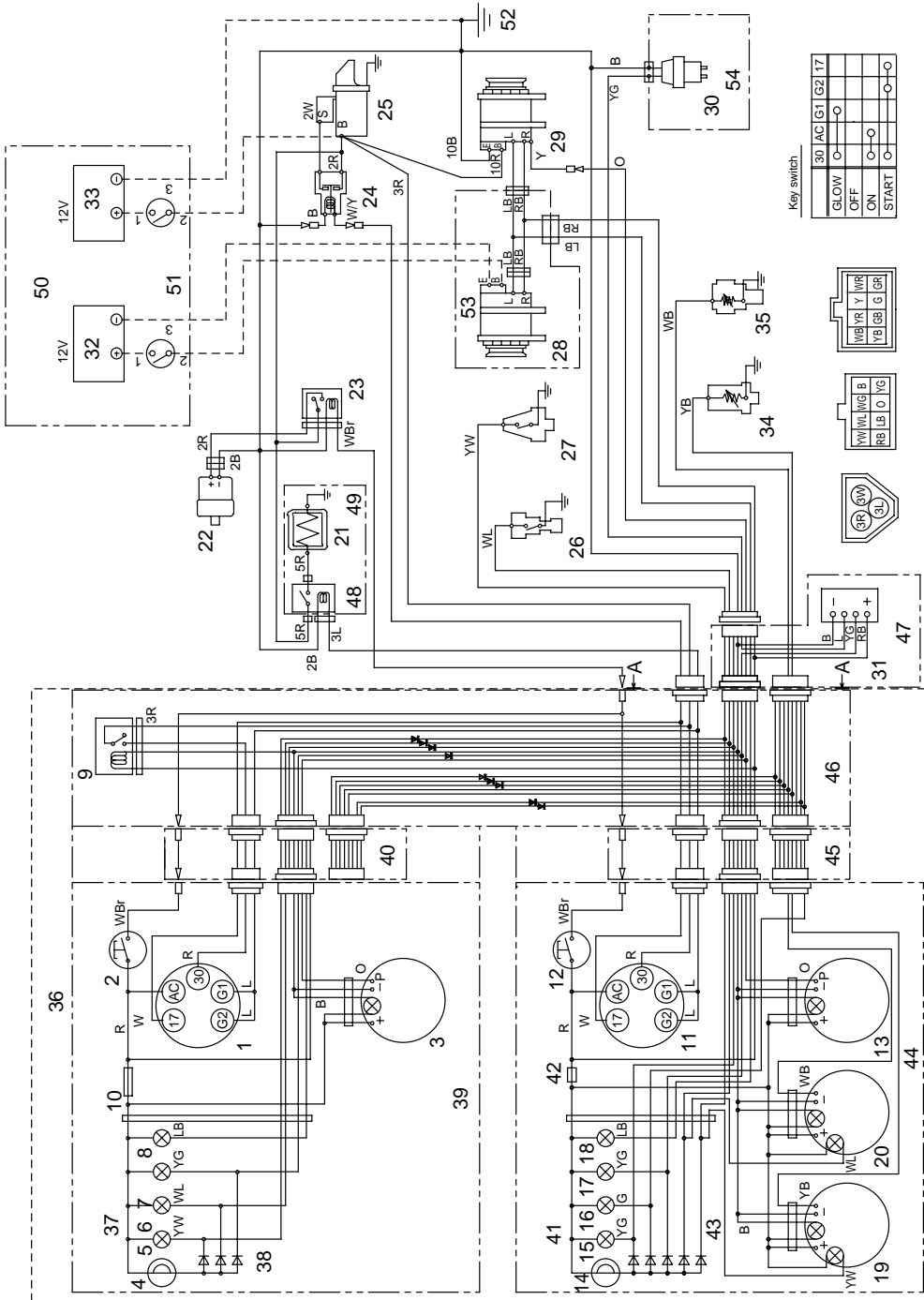


Figure 7

003882-00E

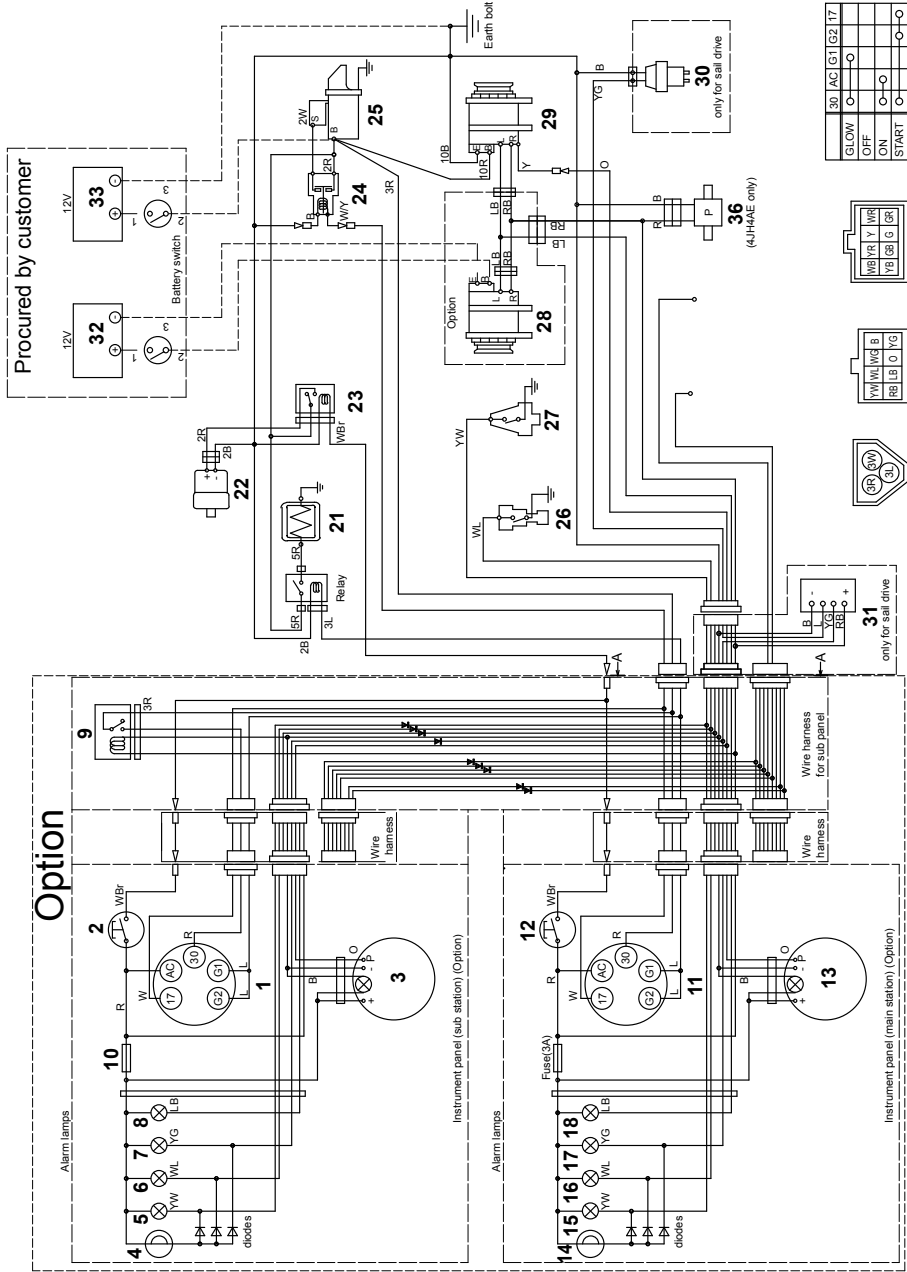
## C-Type Instrument Panel for 3JH4E

Color Coding	
R	Red
B	Black
W	White
L	Blue
RB	Red / Black
LB	Blue / Black
YW	Yellow / White
YB	Yellow / Black
YG	Yellow / Green
WL	White / Blue
WB	White / Black
WG	White / Green
GR	Green / Red
O	Orange
WBr	White / Brown

1	Starter Switch
2	Stop Switch
3	Tachometer / Hour Meter
4	Buzzer
5	Lubricating Oil Low Pressure Alarm
6	Coolant High Temperature Alarm
7	Water in Sail Drive Seal Alarm
8	Battery Low Charge Alarm
9	Relay (for 2 Station: Option)
10	Fuse (3A)
11	Starter Switch
12	Stop Switch
13	Tachometer / Hour Meter
14	Buzzer
15	Lubricating Oil Low Pressure Alarm
16	Coolant High Temperature Alarm
17	Water in Sail Drive Seal Alarm
18	Battery Low Charge Alarm
19	Oil Pressure Meter

20	Coolant Temperature Meter
21	Air Heater (Option)
22	Engine Stop Solenoid
23	Stop Relay
24	Starter Relay
25	Starter
26	Coolant High Temperature Switch
27	Lubricating Oil Low Pressure Switch
28	Alternator (Option)
29	Alternator
30	Water in Sail Drive Seal Sensor (on Sail Drive)
31	Water in Sail Drive Seal Sensor Amplifier (Sail Drive Only)
32	Battery (Option)
33	Battery
34	Oil Pressure Sensor (Option)
35	Coolant Temperature Sensor (Option)
36	Option
37	Alarm Lamps
38	Diodes
39	Instrument Panel (Sub Station) (Option)
40	Wire Harness
41	Alarm Lamps
42	Fuse (3A)
43	Diodes
44	Instrument Panel (Main Station) (Option)
45	Wire Harness
46	Wire Harness for Sub Panel
47	Only for Sail Drive
48	Relay
49	Option
50	Procured by Customer
51	Battery Switch
52	Ground Bolt
53	Option
54	Only for Sail Drive

B-Type Instrument Panel for 4JH4AE



0004594

Figure 8



## B-Type Instrument Panel for 4JH4AE

Color coding	Description
R	Red
B	Black
W	White
L	Blue
RB	Red / Black
LB	Blue / Black
YW	Yellow / White
YB	Yellow / Black
YG	Yellow / Green
WL	White / Blue
WB	White / Black
WG	White / Green
GR	Green / Red
O	Orange
WBr	White / Brown

1	Starter Switch
2	Stop Switch
3	Tachometer / Hour Meter
4	Buzzer
5	Lubricating Oil Low Pressure Alarm
6	Coolant High Temperature Alarm
7	Water in Sail Drive Seal Alarm
8	Battery Low Charge Alarm
9	Relay (for 2 station - Optional)
10	Fuse (3A)
11	Starter Switch
12	Stop Switch
13	Tachometer / Hour Meter
14	Buzzer
15	Lubricating Oil Low Pressure Alarm
16	Coolant High Temperature Alarm
17	Water in Sail Drive Seal Alarm
18	Battery Low Charge Alarm
19	-
20	-
21	Air Heater
22	Engine Stop Solenoid
23	Stop Relay
24	Starter Relay
25	Starter
26	Coolant High Temperature Switch
27	Lubricating Oil Low Pressure Switch
28	Alternator (Optional)
29	Alternator
30	Water in Sail Drive Seal Sensor Amplifier (on Sail Drive)
31	Water in Sail Drive Seal Sensor Amplifier (Sail Drive Only)
32	Battery (Optional)
33	Battery
34	-
35	-
36	Fuel Feed Pump (4JH4AE Only)



## C-Type Instrument Panel for 4JH4AE

Color coding	Description
R	Red
B	Black
W	White
L	Blue
RB	Red / Black
LB	Blue / Black
YW	Yellow / White
YB	Yellow / Black
YG	Yellow / Green
WL	White / Blue
WB	White / Black
WG	White / Green
GR	Green / Red
O	Orange
WBr	White / Brown

1	Starter Switch
2	Stop Switch
3	Tachometer / Hour Meter
4	Buzzer
5	Lubricating Oil Low Pressure Alarm
6	Coolant High Temperature Alarm
7	Water in Sail Drive Seal Alarm
8	Battery Low Charge Alarm
9	Relay (for 2 station - Optional)
10	Fuse (3A)
11	Starter Switch
12	Stop Switch
13	Tachometer / Hour Meter
14	Buzzer
15	Seawater
16	Fuel Filter
17	Water in Sail Drive Seal Alarm
18	Battery Low Charge Alarm
19	Oil Pressure Meter / Alarm
20	Coolant Temperature Meter / Alarm
21	Air Heater
22	Engine Stop Solenoid
23	Stop Relay
24	Starter Relay
25	Starter
26	Coolant High Temperature Switch
27	Lubricating Oil Low Pressure Switch
28	Alternator (Optional)
29	Water in Sail Drive Seal Sensor (on Sail Drive)
30	Water in Sail Drive Seal Sensor Amplifier (on Sail Drive)
31	Water in Sail Drive Seal Sensor Amplifier (Sail Drive Only)
32	Battery (Optional)
33	Battery
34	Oil Pressure Sensor (Optional)
35	Coolant Temperature Sensor (Optional)
36	Fuel Feed Pump (4JH4AE Only)

**This Page Intentionally Left Blank**